

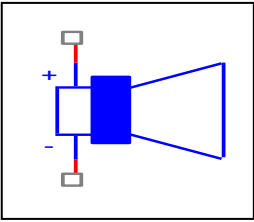
Evaluation Report

COMPONENTS:Speaker
PART NUMBER: W400A2
Class:Woofer
MANUFACTURER: FOSTEX



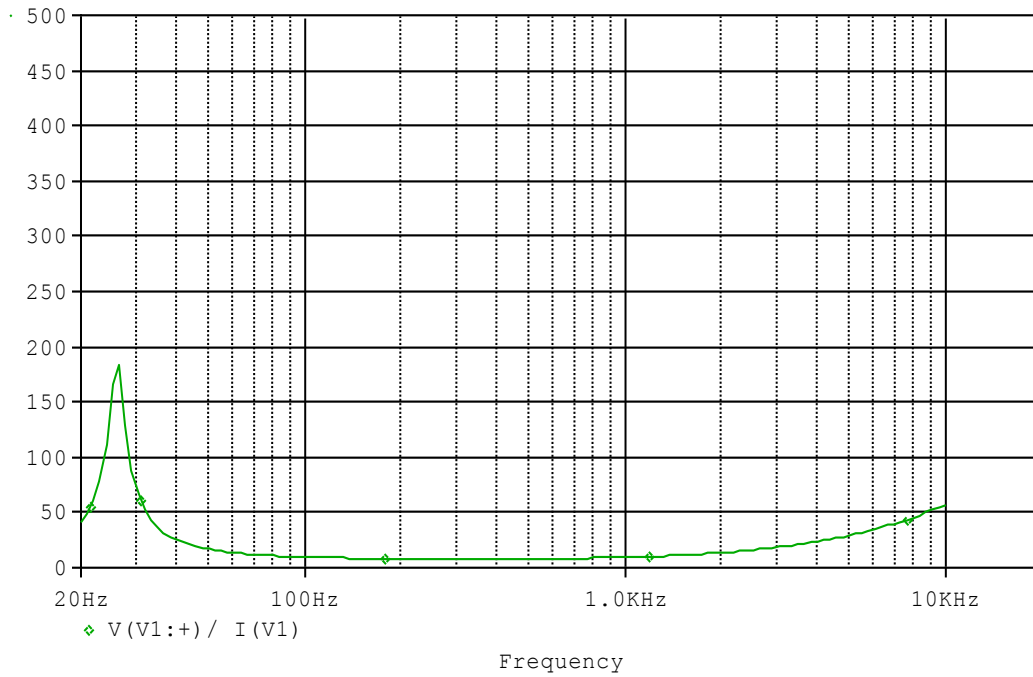
Bee Technologies Inc.

Circuit Configuration

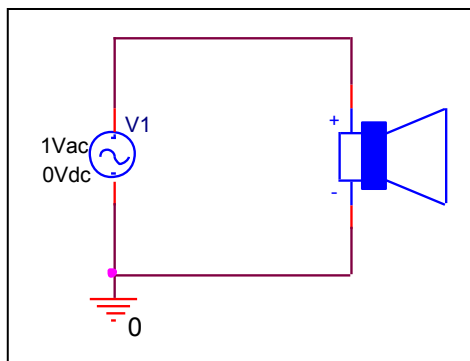


Frequency Response & Impedance Characteristic

Circuit Simulation Result

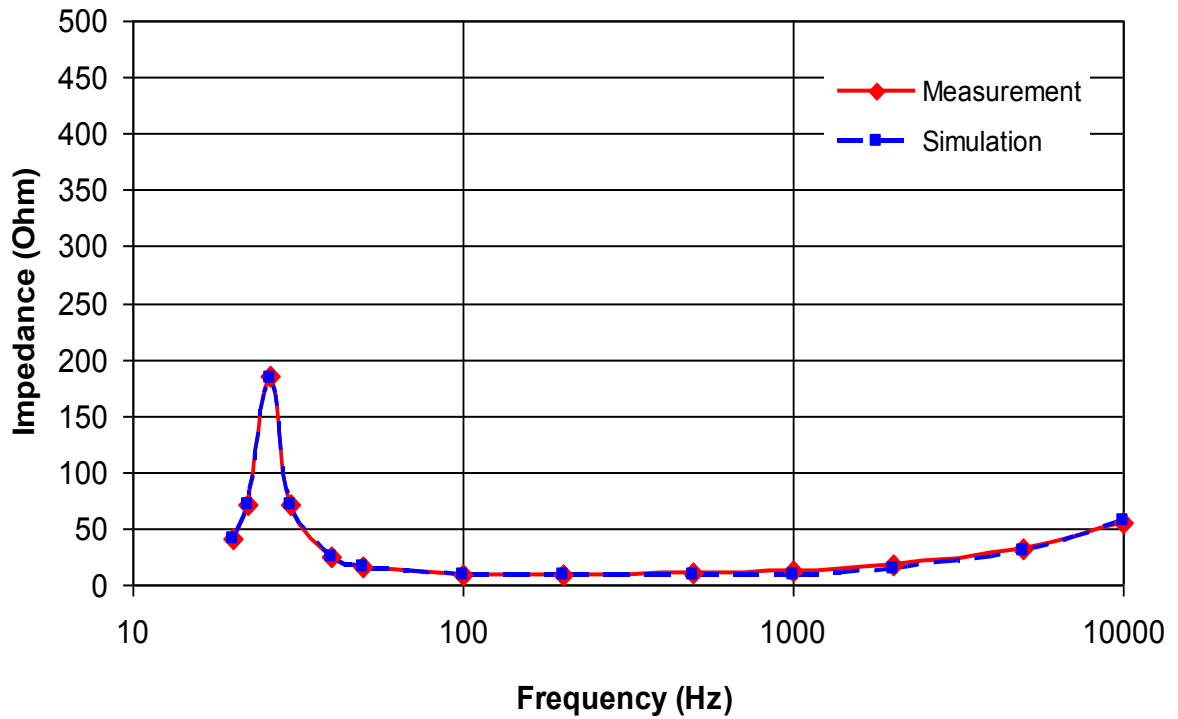


Evaluation circuit



Circuit Simulation Result

Comparison graph



Simulation Result

Frequency (Hz)	Impedance(ohm)		%Error
	Measurement	Simulation	
20	40.500	40.706	0.509
26	185.000	184.065	-0.505
50	16.500	16.786	1.733
100	9.500	9.646	1.537
200	8.500	8.192	-3.624