

# Device Modeling Report

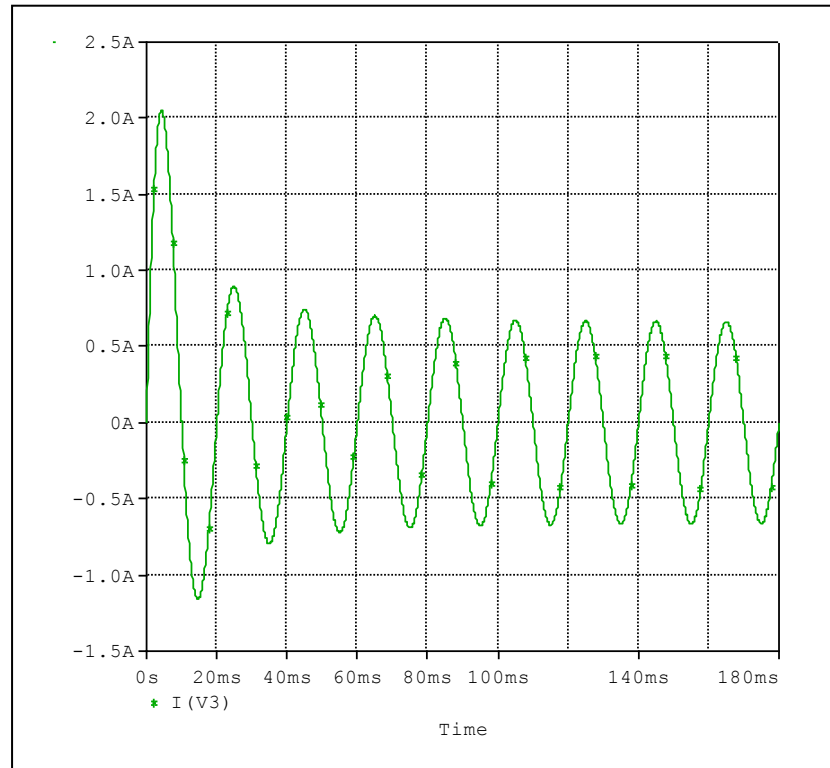
COMPONENTS: Halogen Lamp  
PART NUMBER: 64476BT SIL  
MANUFACTURER: OSRAM GmbH



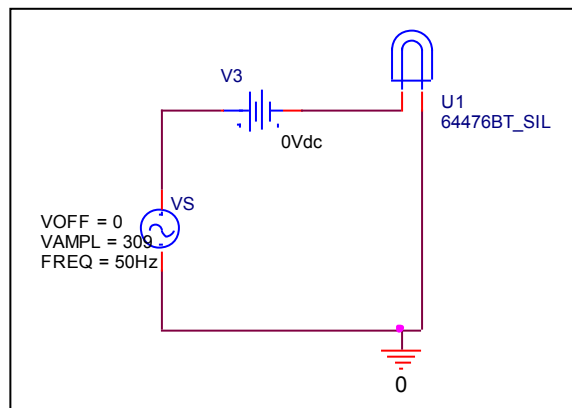
**Bee Technologies Inc.**

## Transient Current Characteristics

### Circuit simulation result



### Evaluation circuit



# Transient Current Characteristics

# Reference

