

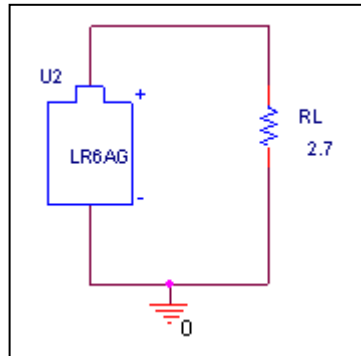
Device Modeling Report

COMPONENTS: Alkaline
PART NUMBER: LR6AG
MANUFACTURER: TOSHIBA
Remark: RL=2.7(Ω)

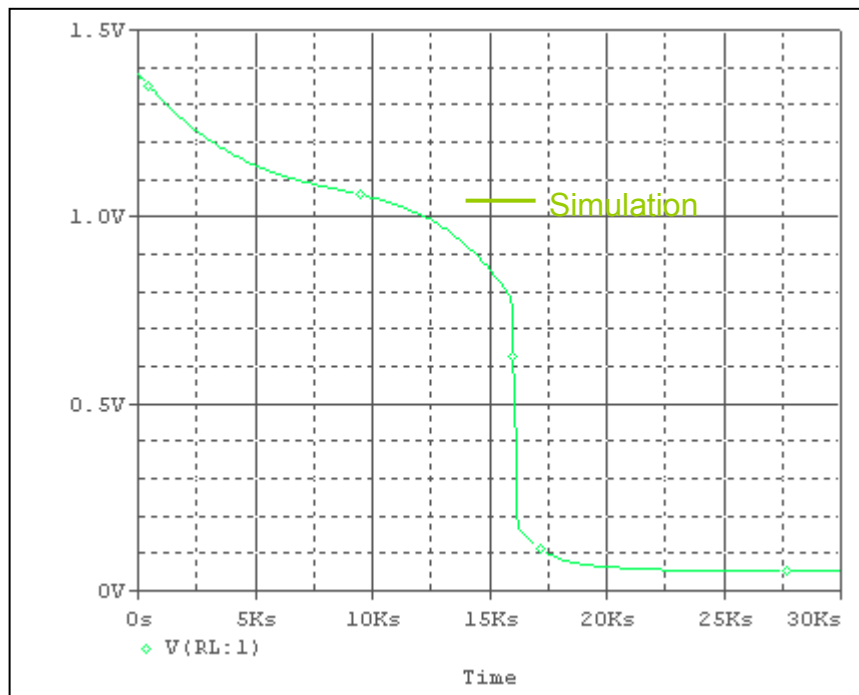


Bee Technologies Inc.

Evaluation Circuit



Simulation result



Comparison Table

Time (kSec)	Vdc(V) Measurement	Vdc(V) Simulation	%Error
0	1.474386	1.3988	5.127
0.5	1.350655	1.3537	-0.225
1	1.298059	1.3131	-1.159
1.5	1.26294	1.2772	-1.129
2	1.237233	1.2453	-0.652
2.5	1.214305	1.2169	-0.214
3	1.19291	1.1927	0.018
3.5	1.172872	1.1713	0.134
4	1.155964	1.1535	0.213
4.5	1.142897	1.1379	0.437
5	1.130552	1.125	0.491
5.5	1.120429	1.1137	0.601
6	1.110536	1.1044	0.553
6.5	1.101879	1.0961	0.524
7	1.093529	1.0889	0.423
7.5	1.084884	1.0822	0.247
8	1.076446	1.0758	0.060
8.5	1.067592	1.0692	-0.151
9	1.058378	1.0623	-0.371
9.5	1.048276	1.0545	-0.594
10	1.037179	1.0456	-0.812
10.5	1.025469	1.0352	-0.949
11	1.012643	1.0229	-1.013
11.5	0.9984059	1.0085	-1.011
12	0.9825917	0.991	-0.856
12.5	0.9656399	0.971	-0.555
13	0.948066	0.948	0.007
13.5	0.9300013	0.922	0.860
14	0.9096672	0.891	2.052
14.5	0.8853032	0.856	3.310
15	0.8503847	0.817	3.926
15.5	0.8039418	0.774	3.724
16	0.5958851	0.596	-0.019
16.5	0.165614	0.166	-0.233
17	0.122748	0.126	-2.649
17.5	0.095323	0.101	-5.956
18	0.082948	0.086	-3.679

18.5	0.074386	0.075	-0.825
Time (kSec)	Vdc(V) Measurement	Vdc(V) Simulation	%Error
19	0.068242	0.071	-4.041
19.5	0.063919	0.067	-4.820
20	0.060666	0.061	-0.551
20.5	0.058209	0.058	0.359
21	0.056443	0.056	0.785
21.5	0.054943	0.055	-0.104
22	0.05379	0.054	-0.390
22.5	0.052735	0.053	-0.503
23	0.052017	0.052	0.033
23.5	0.051291	0.051	0.567
24	0.050761	0.0506	0.317
24.5	0.050284	0.05	0.565
25	0.049877	0.0497	0.355
25.5	0.049539	0.0494	0.281
26	0.049286	0.0492	0.174
26.5	0.049045	0.049	0.092
27	0.048902	0.0489	0.004
27.5	0.048762	0.0488	-0.078
28	0.048657	0.0487	-0.088
28.5	0.048555	0.0486	-0.093
29	0.048541	0.0485	0.084
29.5	0.048462	0.0483	0.334
30	0.048399	0.0482	0.411

Comparison Graph

