

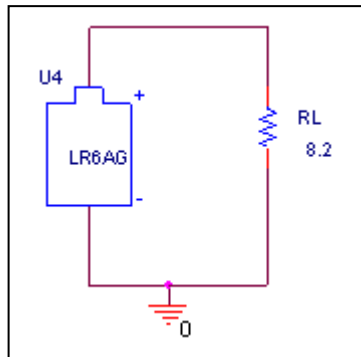
# Device Modeling Report

COMPONENTS: Alkaline  
PART NUMBER: LR6AG  
MANUFACTURER: TOSHIBA  
Remark:  $RL=8.2(\Omega)$

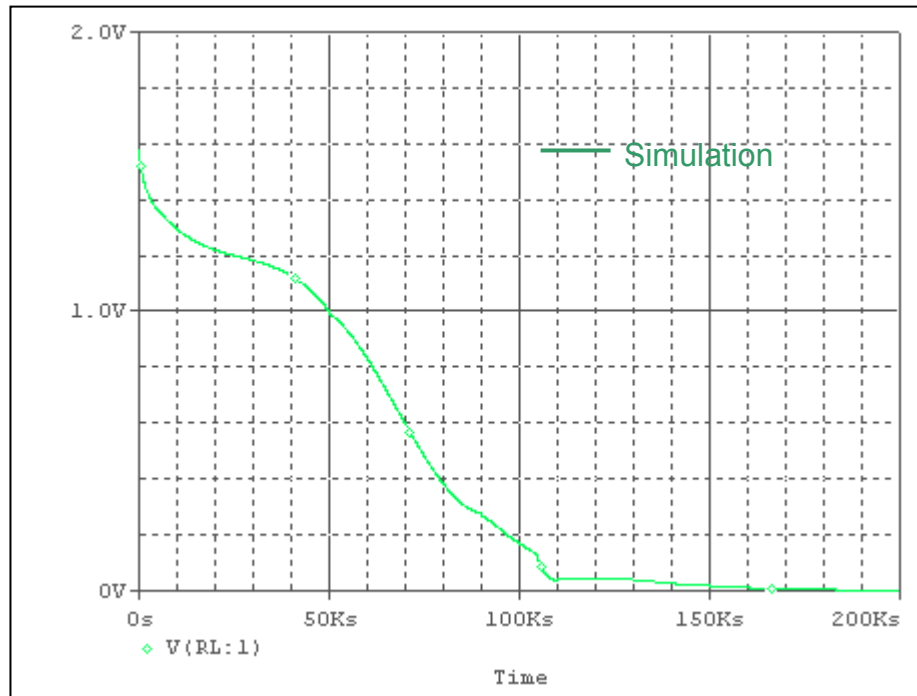


**Bee Technologies Inc.**

## Evaluation Circuit



## Simulation Table



## Comparison Table

Time (kSec)	Vdc(V) Measurement	Vdc(V) Simulation	%Error
0	1.572781	1.5745	-0.109
1	1.478194	1.4775	0.047
2	1.434112	1.4339	0.015
3	1.403962	1.4018	0.154
4	1.379722	1.3786	0.081
5	1.359213	1.3618	-0.190
6	1.342578	1.3461	-0.262
7	1.329993	1.3315	-0.113
8	1.318195	1.318	0.015
9	1.307022	1.3056	0.109
10	1.296428	1.294	0.187
15	1.248056	1.249	-0.076
20	1.218639	1.2197	-0.087
25	1.200811	1.1997	0.093
30	1.18259	1.1821	0.041
35	1.159148	1.1601	-0.082
40	1.127006	1.127	0.001
45	1.077037	1.076	0.096
50	1.002859	1	0.285
55	0.9238659	0.926614	-0.297
60	0.8241991	0.831232	-0.853
65	0.7297065	0.717568	1.663
70	0.6002976	0.596863	0.572
75	0.474443	0.480953	-1.372
80	0.3794441	0.381429	-0.523
85	0.3179904	0.31074	2.280
90	0.2669027	0.278049	-4.176
95	0.2149381	0.219247	-2.005
100	0.1654034	0.17014	-2.864
101	0.1567801	0.160771	-2.546
102	0.1480176	0.152498	-3.027
103	0.1396508	0.144142	-3.216
104	0.1308412	0.135061	-3.225
105	0.1110738	0.104463	5.952
106	0.0701347	0.077678	-10.755
107	0.0559338	0.057735	-3.220
108	0.0477695	0.044632	6.568
109	0.0427269	0.038371	10.195

<b>Time (kSec)</b>	<b>Vdc(V) Measurement</b>	<b>Vdc(V) Simulation</b>	<b>%Error</b>
110	0.0403949	0.042586	-5.424
111	0.0397448	0.039624	0.304
112	0.0400424	0.039928	0.286
113	0.0408064	0.040607	0.489
114	0.0418968	0.041536	0.861
115	0.0429443	0.042594	0.816
116	0.0439517	0.043658	0.668
117	0.0448779	0.044605	0.608
118	0.0454933	0.045313	0.396
119	0.045932	0.045659	0.594
120	0.046083	0.048669	-5.612
125	0.0444184	0.04408	0.762
130	0.0394052	0.039142	0.668
135	0.0327241	0.032961	-0.724
140	0.0267266	0.026589	0.515
145	0.0220475	0.021348	3.173
150	0.017635	0.017983	-1.973
160	0.0112354	0.010992	2.166
170	0.0068689	0.0067698	1.442
180	0.0040137	0.0041695	-3.882
190	0.0024855	0.0025679	-3.316
200	0.00181	0.0015816	12.618

## Comparison Graph

