

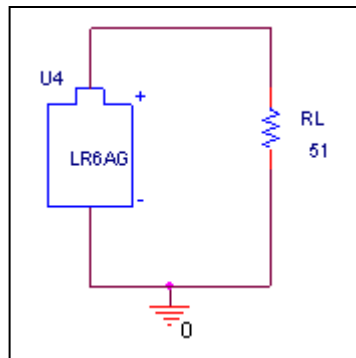
Device Modeling Report

COMPONENTS: Alkaline
PART NUMBER: LR6AG
MANUFACTURER: TOSHIBA
Remark: RL=51(Ω)

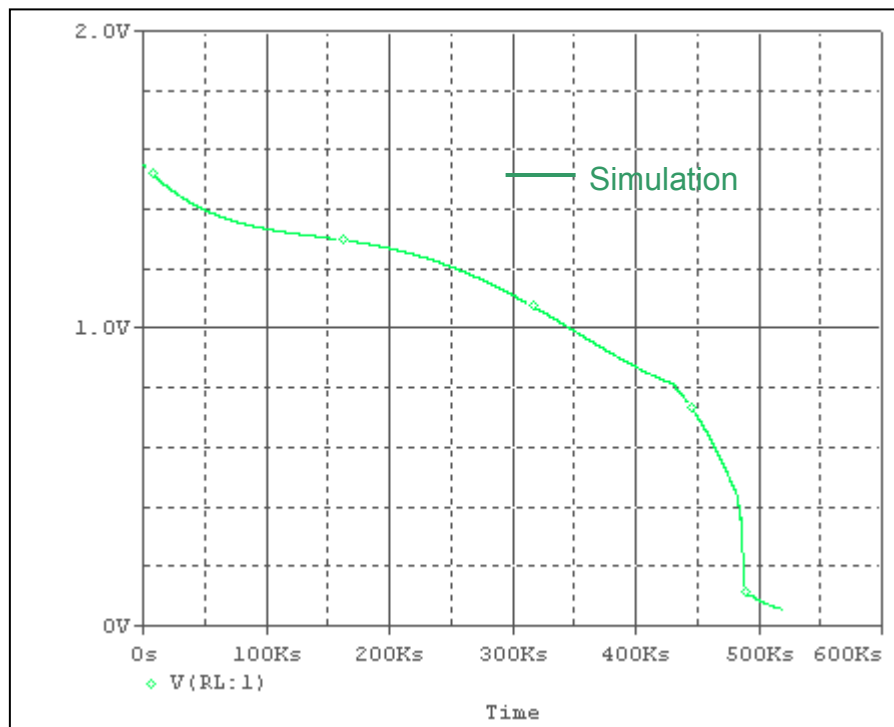


Bee Technologies Inc.

Evaluation circuit



Simulation result



Comparison Table

Time (kSec)	Vdc(V) Measurement	Vdc(V) Simulation	%Error
0	1.612508	1.5493	3.920
5	1.54099	1.5285	0.811
10	1.504952	1.5091	-0.276
15	1.480952	1.4911	-0.685
20	1.461275	1.4744	-0.898
25	1.445341	1.459	-0.945
30	1.432438	1.4448	-0.863
35	1.422928	1.4316	-0.609
40	1.414993	1.4196	-0.326
45	1.407628	1.4085	-0.062
50	1.400482	1.3983	0.156
55	1.393478	1.389	0.321
60	1.386638	1.3805	0.443
65	1.380148	1.3727	0.540
70	1.373998	1.3656	0.611
75	1.368241	1.3591	0.668
80	1.362737	1.3532	0.700
85	1.357341	1.3478	0.703
90	1.350217	1.3429	0.542
95	1.344449	1.3384	0.450
100	1.340192	1.3343	0.440
105	1.334983	1.3305	0.336
110	1.32938	1.327	0.179
115	1.323744	1.3237	0.003
120	1.320001	1.3206	-0.045
125	1.316367	1.3176	-0.094
130	1.312745	1.3148	-0.157
135	1.309199	1.312	-0.214
140	1.305741	1.3093	-0.273
145	1.30237	1.3066	-0.325
150	1.299044	1.3038	-0.366
155	1.295804	1.301	-0.401
160	1.292554	1.2982	-0.437
165	1.289282	1.2952	-0.459
170	1.287356	1.292	-0.361
175	1.282967	1.2887	-0.447
180	1.278699	1.2852	-0.508
185	1.275427	1.2815	-0.476

Time (kSec)	Vdc(V) Measurement	Vdc(V) Simulation	%Error
190	1.271323	1.2776	-0.494
195	1.267022	1.2734	-0.503
200	1.262984	1.269	-0.476
205	1.259832	1.2642	-0.347
210	1.256165	1.2592	-0.242
215	1.251897	1.2539	-0.160
220	1.247202	1.2482	-0.080
225	1.242321	1.2423	0.002
230	1.237145	1.2359	0.101
235	1.231739	1.2293	0.198
240	1.226037	1.2223	0.305
245	1.220084	1.2149	0.425
250	1.21378	1.2072	0.542
255	1.207126	1.1992	0.657
260	1.199411	1.1908	0.718
265	1.189758	1.182	0.652
270	1.180522	1.173	0.637
275	1.171394	1.1636	0.665
280	1.160024	1.1538	0.537
285	1.146968	1.1438	0.276
290	1.134098	1.1334	0.062
295	1.120374	1.1228	-0.217
300	1.106246	1.1119	-0.511
305	1.095576	1.1007	-0.468
310	1.088834	1.0892	-0.034
315	1.080495	1.0776	0.268
320	1.070372	1.0657	0.436
325	1.059603	1.0536	0.567
330	1.048484	1.0415	0.666
335	1.036709	1.0291	0.734
340	1.023587	1.0166	0.683
345	1.009787	1.0041	0.563
350	0.9944975	0.991495	0.302
355	0.9743125	0.978875	-0.468
360	0.9519015	0.96634	-1.517
365	0.9380437	0.953753	-1.675
370	0.9261489	0.94128	-1.634
375	0.9156415	0.928997	-1.459
380	0.906411	0.916778	-1.144
385	0.8983872	0.904778	-0.711

Time (kSec)	Vdc(V) Measurement	Vdc(V) Simulation	%Error
390	0.8909586	0.893107	-0.241
395	0.8836384	0.881622	0.228
400	0.8761143	0.870497	0.641
405	0.8681486	0.859811	0.960
410	0.8591593	0.84947	1.128
415	0.8490509	0.839631	1.109
420	0.8370223	0.830374	0.794
425	0.8229508	0.821627	0.161
430	0.8066171	0.81354	-0.858
435	0.7869111	0.787718	-0.103
440	0.7630676	0.763099	-0.004
445	0.7349618	0.735174	-0.029
450	0.7040667	0.704256	-0.027
455	0.6674461	0.670091	-0.396
460	0.6314261	0.63318	-0.278
465	0.5985616	0.593858	0.786
470	0.5476426	0.551762	-0.752
475	0.5050115	0.507474	-0.488
480	0.462775	0.46135	0.308
485	0.3781859	0.374971	0.850
490	0.111921	0.11179	0.117
495	0.0923249	0.099014	-7.245
500	0.0792179	0.086002	-8.564
505	0.0688304	0.075991	-10.403
510	0.0603885	0.068041	-12.672
515	0.0540393	0.061079	-13.027
520	0.0462172	0.05416	-17.186

Comparison Graph

