

Device Modeling Report

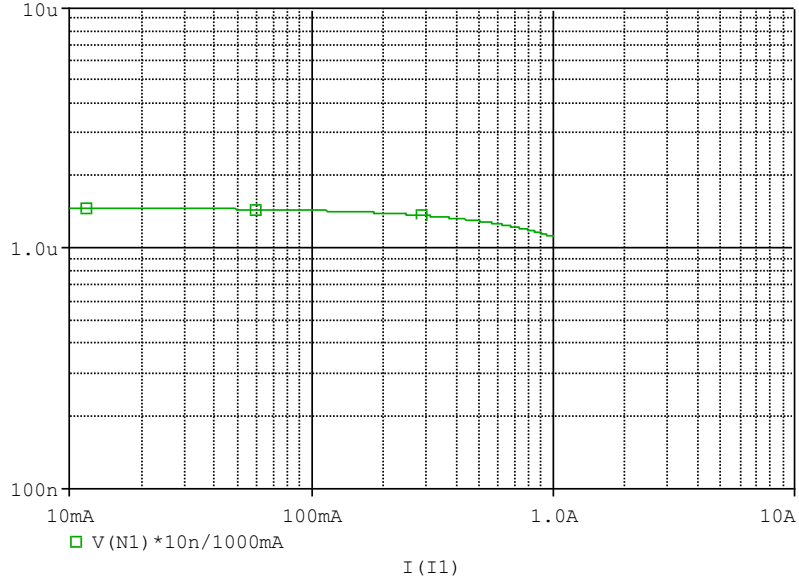
COMPONENTS: Inductance
PART NUMBER: LQM31PN1R5M00
MANUFACTURER: Murata Manufacturing Co., Ltd.
Remark: DC Model



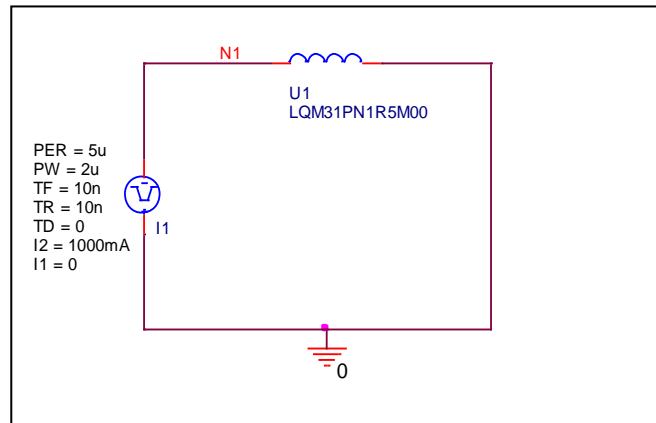
Bee Technologies Inc.

Inductance-Current Characteristics

Circuit Simulation result

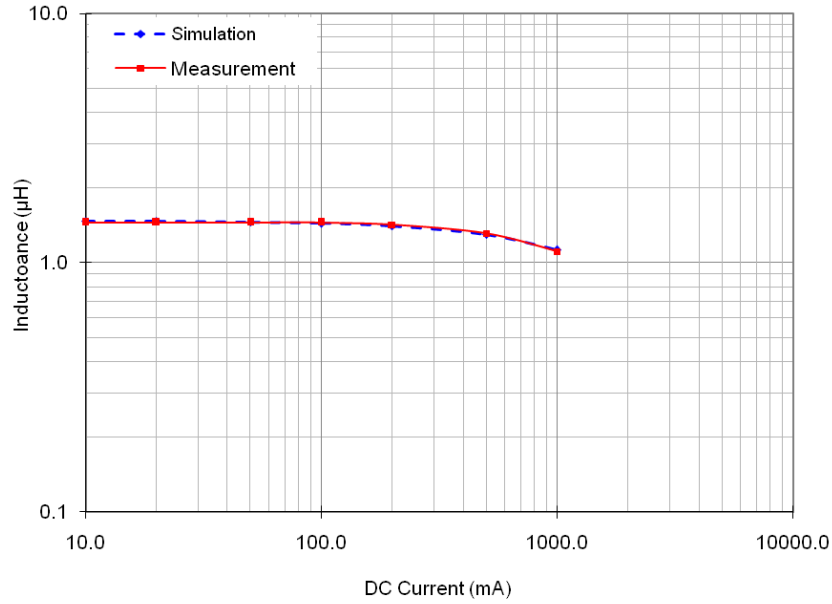


Evaluation circuit



Comparison Graph

Simulation result



Comparison table

I (mA)	L (µH)		%Error
	Measurement	Simulation	
10	1.450	1.472	1.52
20	1.450	1.468	1.24
50	1.450	1.457	0.48
100	1.450	1.439	-0.76
200	1.420	1.404	-1.13
500	1.310	1.298	-0.92
1000	1.110	1.122	1.08