

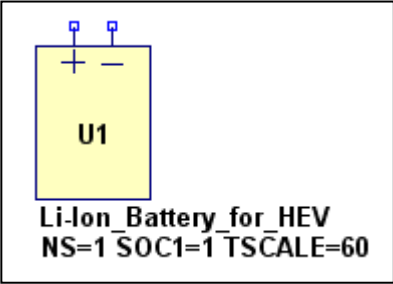
Device Modeling Report

COMPONENTS: Li-Ion Batteries
PART NUMBER: Li-Ion Battery for HEV
MUNUFACTURER: Shin-Kobe Electric Machinery Co., Ltd.



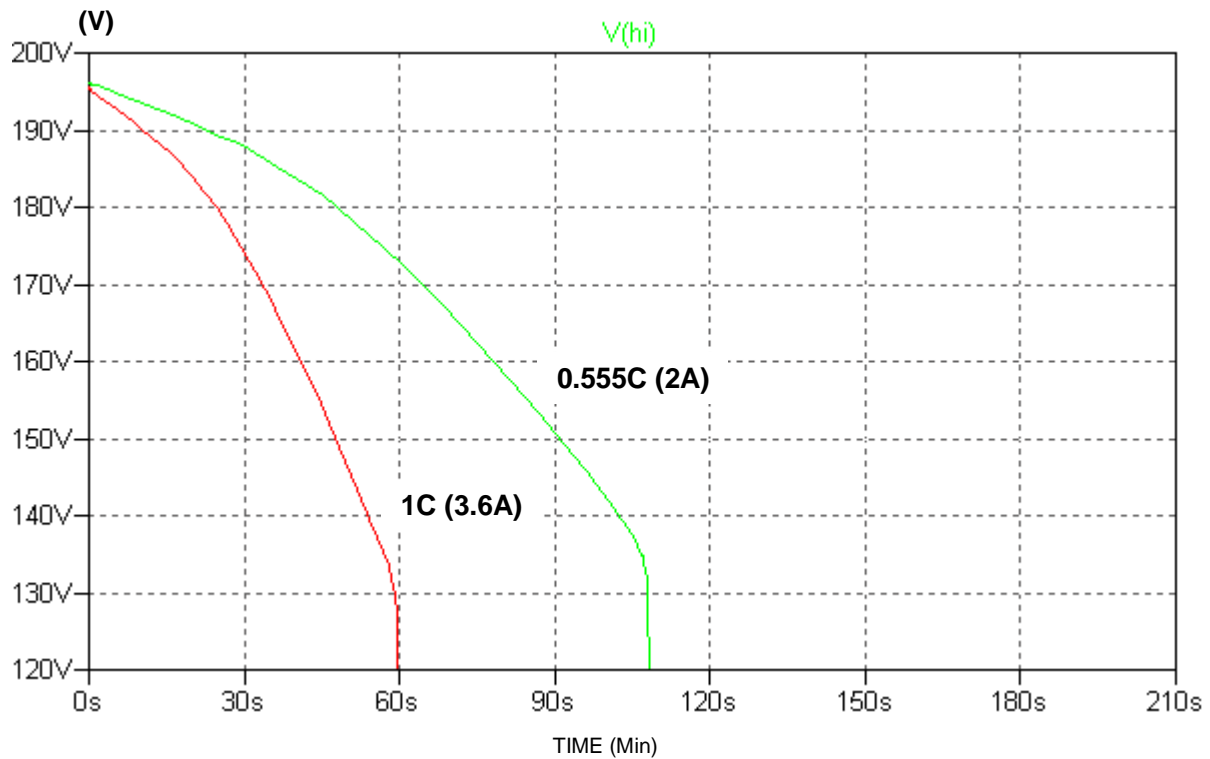
Bee Technologies Inc.

Circuit Configuration

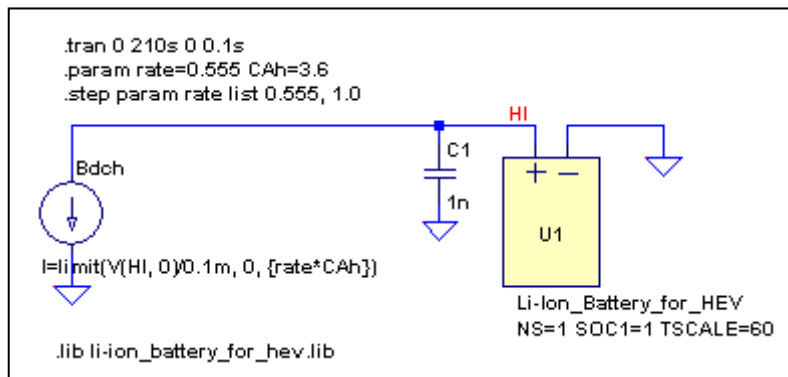


Discharge Characteristics (Battery Voltage vs. Time)

Circuit Simulation Result

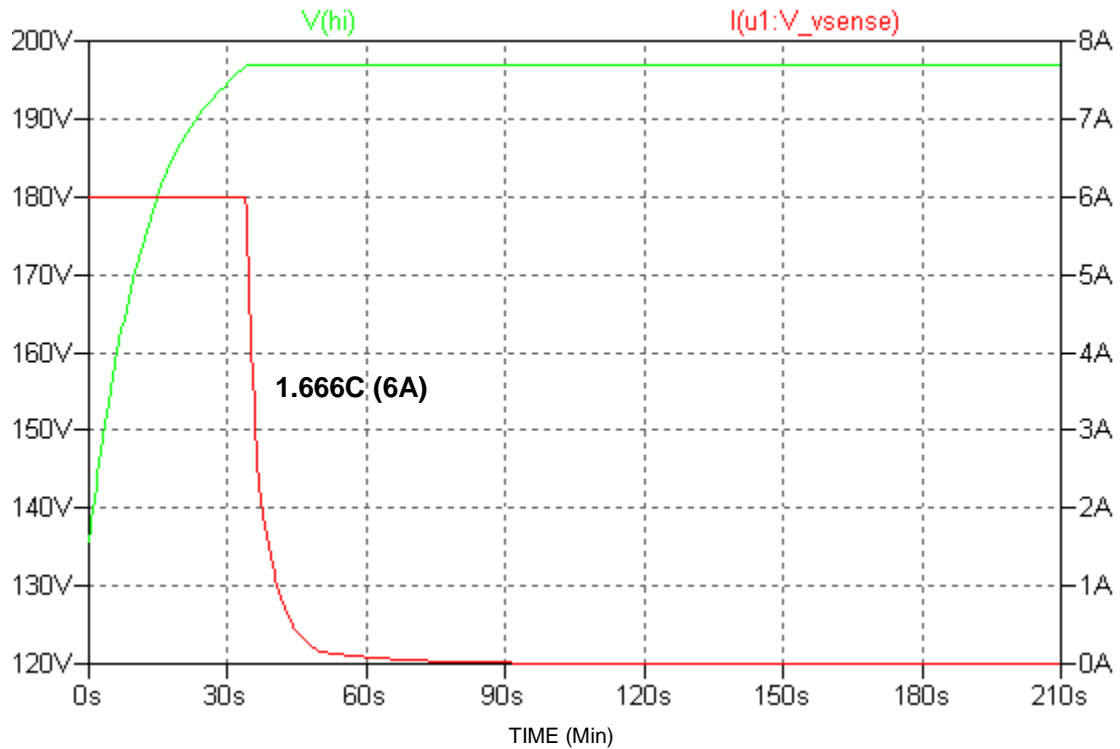


Simulation Circuit

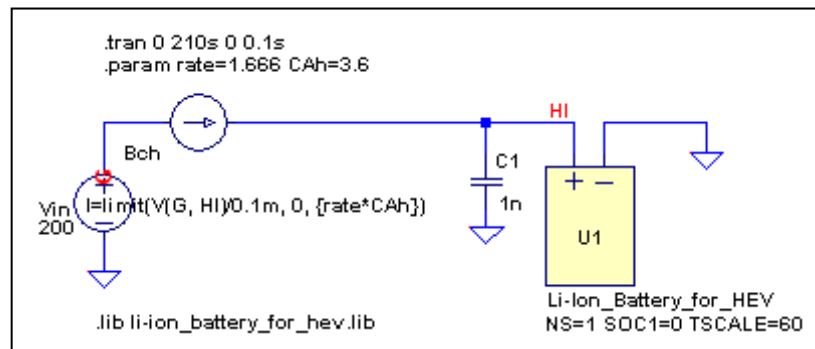


Charge Characteristics (Battery Voltage vs. Time)

Circuit Simulation Result

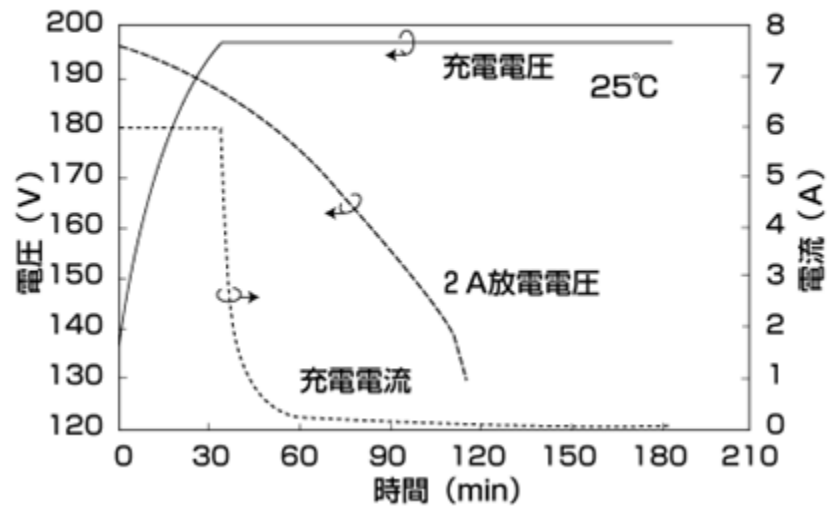


Simulation Circuit



× Tscale turns minute into seconds.

充放电特性



Data Information

No. Li-Ion Battery for HEV	
Nominal Voltage	173 [V]
Capacity	3.6 [Ah]
Power Density –DOD50%	1350 [W/kg]
Rated Charge	1.666C (6A)