

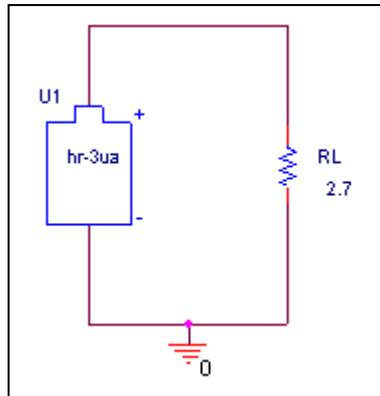
# Device Modeling Report

COMPONENTS: NICKEL METAL HYDRIDE (Ni-MH)  
PART NUMBER: HR-3UA  
MANUFACTURER: SANYO  
CONDITION: RL= 2.7 ( $\Omega$ )

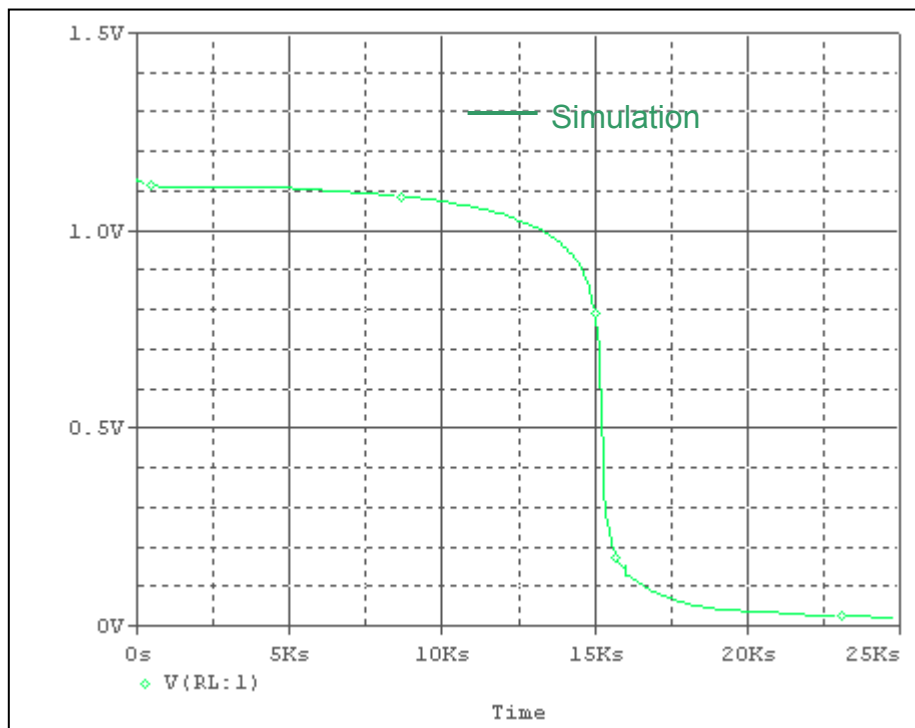


**Bee Technologies Inc.**

## Evaluation circuit



## Simulation result



## Comparison Table

Time (kSec)	Vdc(V) Measurement	Vdc(V) Simulation	%Error
0	1.220105	1.12470	7.819
0.5	1.111762	1.11540	-0.327
1	1.10942	1.10960	-0.016
1.5	1.109431	1.10810	0.120
2	1.109693	1.10860	0.098
2.5	1.10965	1.10980	-0.014
3	1.109507	1.11080	-0.117
3.5	1.109102	1.11120	-0.189
4	1.108424	1.11080	-0.214
4.5	1.10757	1.10950	-0.174
5	1.106355	1.10760	-0.113
5.5	1.104856	1.10530	-0.040
6	1.103039	1.10260	0.040
6.5	1.100785	1.10000	0.071
7	1.098137	1.09720	0.085
7.5	1.09516	1.09440	0.069
8	1.091778	1.09150	0.025
8.5	1.088265	1.08820	0.006
9	1.083833	1.08430	-0.043
9.5	1.078864	1.07960	-0.068
10	1.073316	1.07380	-0.045
10.5	1.067023	1.06690	0.012
11	1.059811	1.05940	0.039
11.5	1.051166	1.05030	0.082
12	1.040265	1.04210	-0.176
12.5	1.026575	1.02570	0.085
13	1.009667	1.00960	0.007
13.5	0.9879785	0.989005	-0.104
14	0.9601259	0.959287	0.087
14.5	0.9149028	0.913515	0.152
15	0.7896752	0.784615	0.641
15.5	0.2264593	0.283139	-25.029
16	0.1394711	0.130974	6.092
16.5	0.1025491	0.104910	-2.302
17	0.08139315	0.083701	-2.835
17.5	0.06752445	0.068113	-0.872
18	0.05786748	0.056593	2.202
18.5	0.0508097	0.048433	4.678

Time (kSec)	Vdc(V) Measurement	Vdc(V) Simulation	%Error
19	0.04533416	0.042927	5.310
19.5	0.04096932	0.039365	3.916
20	0.03747083	0.037040	1.150
20.5	0.03456792	0.035245	-1.959
21	0.0321291	0.033271	-3.554
21.5	0.03010133	0.030411	-1.029
22	0.02833437	0.025958	8.387
22.5	0.02674818	0.026691	0.214
23	0.02535199	0.025389	-0.146
23.5	0.02408346	0.024151	-0.280
24	0.02292096	0.022972	-0.223
24.5	0.02189928	0.021852	0.216
24.81	0.02132149	0.015385	27.843

### Comparison Graph

