

# Device Modeling Report

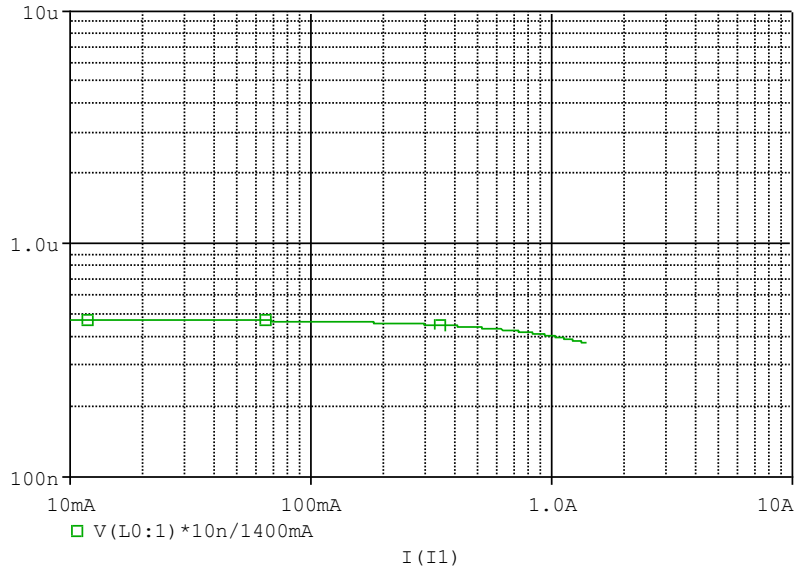
COMPONENTS: Inductance  
PART NUMBER: LQM31PNR47M00  
MANUFACTURER: Murata Manufacturing Co., Ltd.  
Remark: DC Model



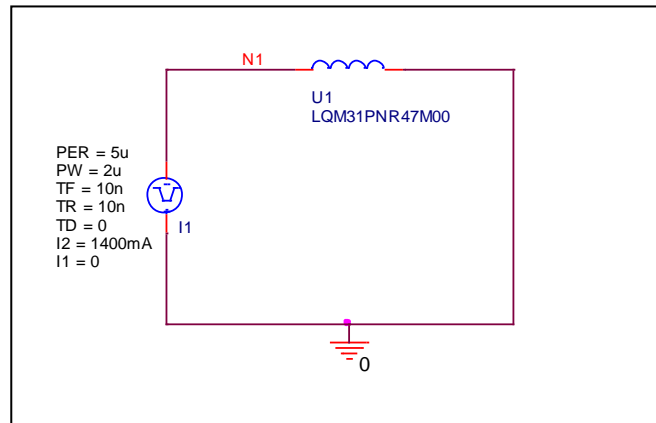
**Bee Technologies Inc.**

# Inductance-Current Characteristics

## Circuit Simulation result

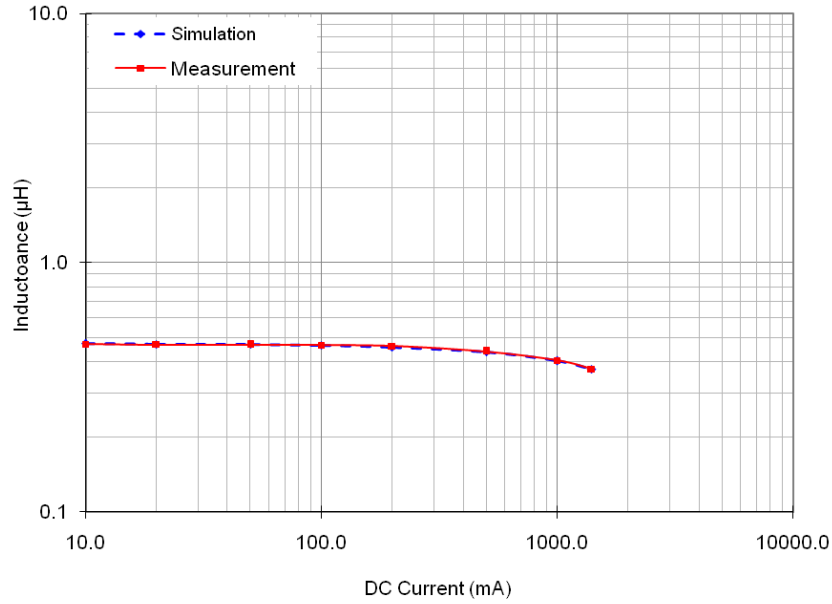


## Evaluation circuit



# Comparison Graph

## Simulation result



## Comparison table

I (mA)	L (µH)		%Error
	Measurement	Simulation	
10	0.470	0.472	0.43
20	0.469	0.472	0.55
50	0.468	0.470	0.32
100	0.467	0.466	-0.21
200	0.462	0.459	-0.65
500	0.440	0.438	-0.45
1000	0.405	0.403	-0.49
1400	0.375	0.374	-0.27