

Device Modeling Report

COMPONENTS:MAGNETIC CORE
PART NUMBER:2H07
MANUFACTURER:FDK



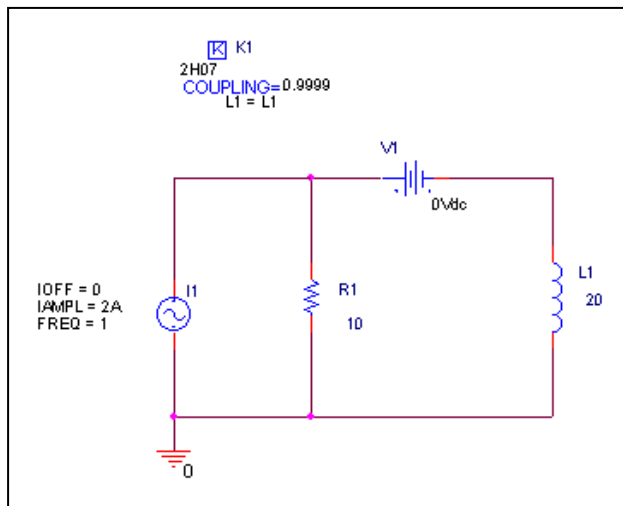
Bee Technologies Inc.

MAGNETIC CORE

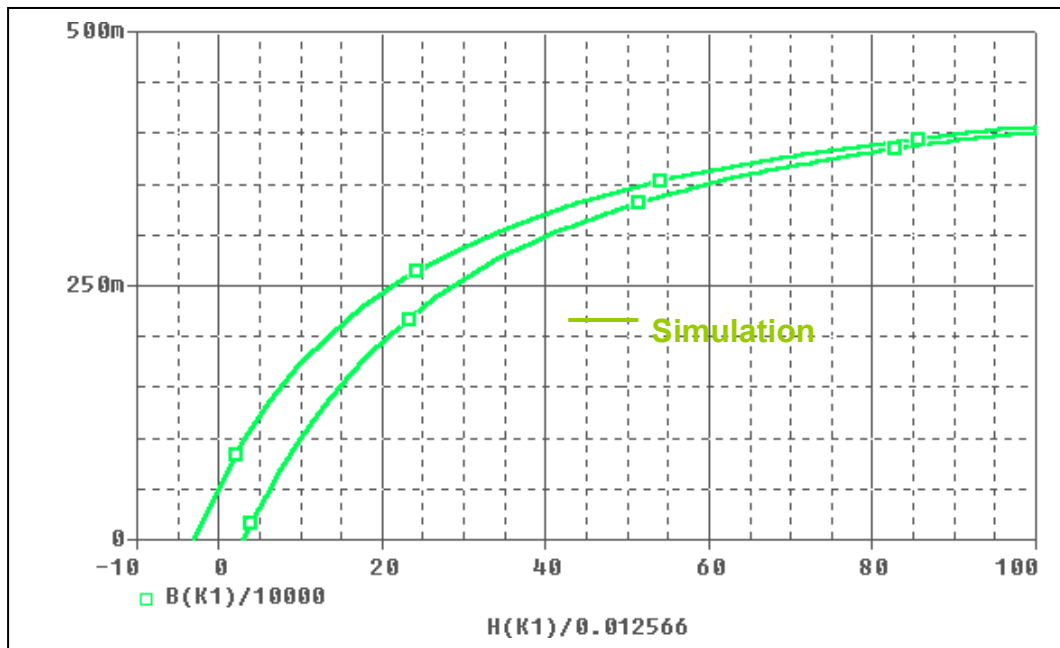
Pspice model parameter	Model description
A	thermal energy parameter
K	domain anisotropy parameter
C	domain flexing parameter
MS	magnetization saturation

Hysteresis Curve Characteristics

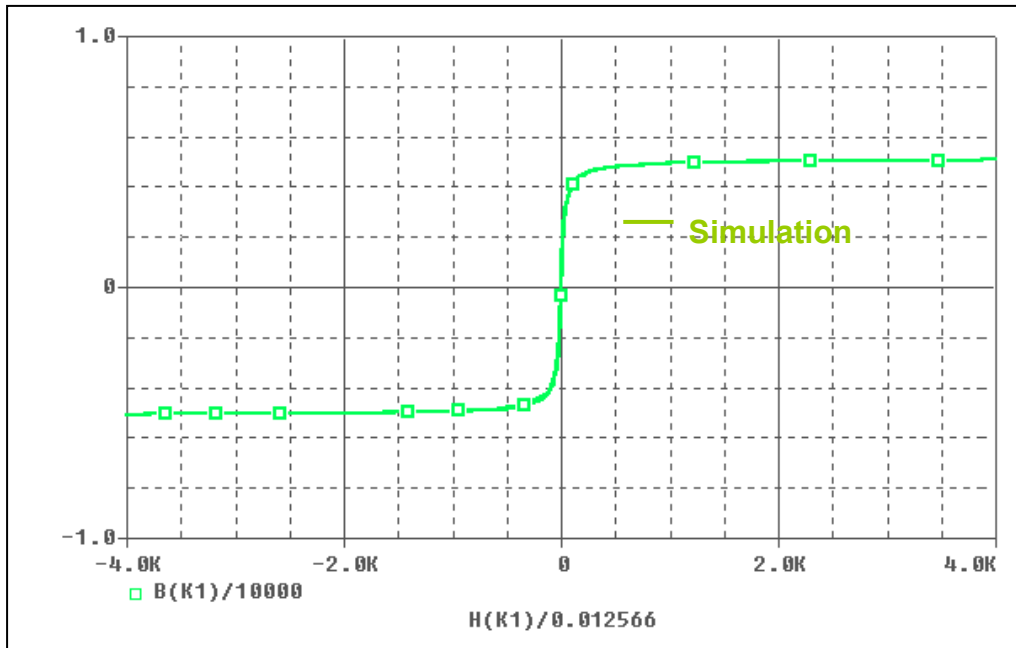
Evaluation Circuit



Simulation result



Simulation result



Comparison Table

H(A/m)	B(mT) Measurement	B(mT) Simulation	%Error
10	170	173.037	1.786
20	250	242.263	3.095
30	285	287.754	0.966
40	315	319.583	1.455
50	345	343.611	0.403
60	355	361.793	1.914
70	375	377.057	0.549
80	390	387.757	0.575
90	400	398.369	0.408
100	410	406.415	0.874
10	100	99.291	0.709
30	260	256.178	1.470
40	290	297.596	2.619
50	325	327.835	0.872
60	345	349.841	1.403
70	365	366.903	0.521
80	375	380.75	1.533
90	395	392.166	0.717
100	410	401.519	2.069