

Device Modeling Report

COMPONENTS:MAGNETIC CORE
PART NUMBER:2H10
MANUFACTURER:FDK



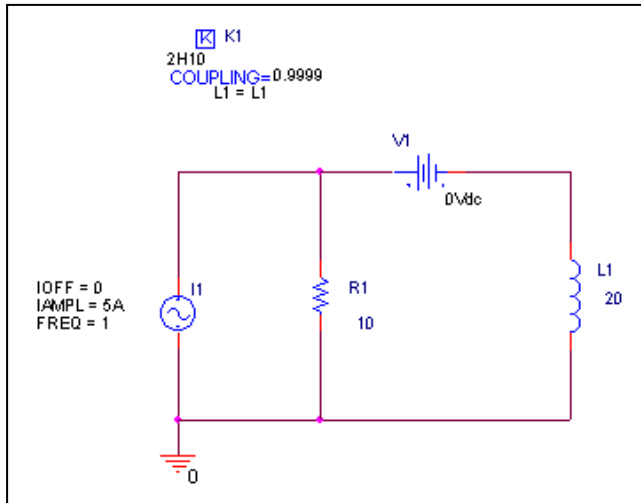
Bee Technologies Inc.

MAGNETIC CORE

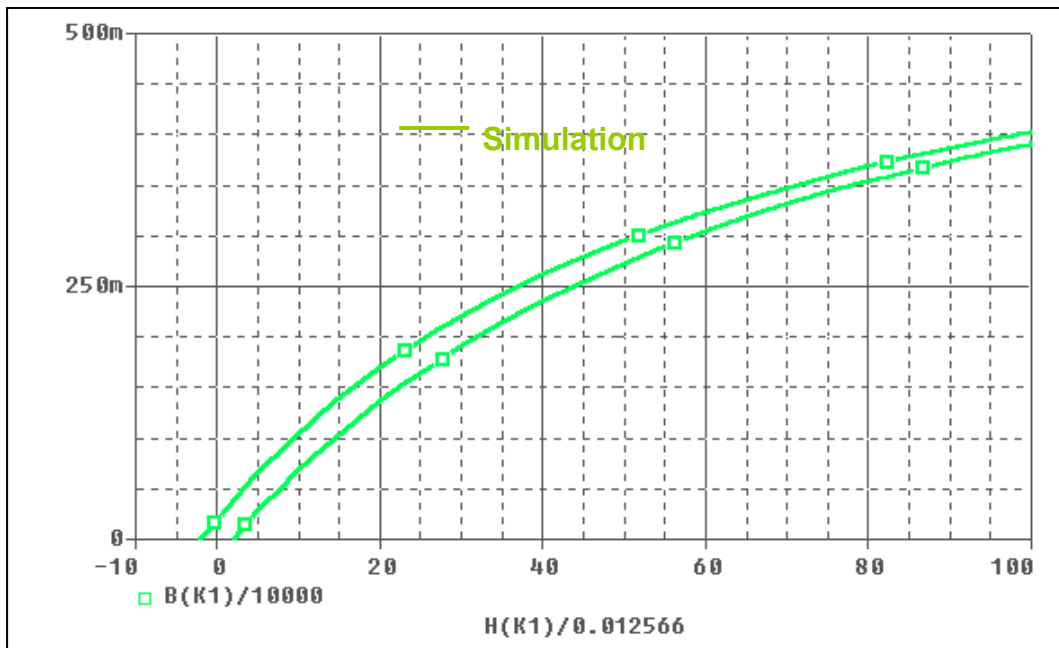
Pspice model parameter	Model description
A	thermal energy parameter
K	domain anisotropy parameter
C	domain flexing parameter
MS	magnetization saturation

Hysteresis Curve Characteristics

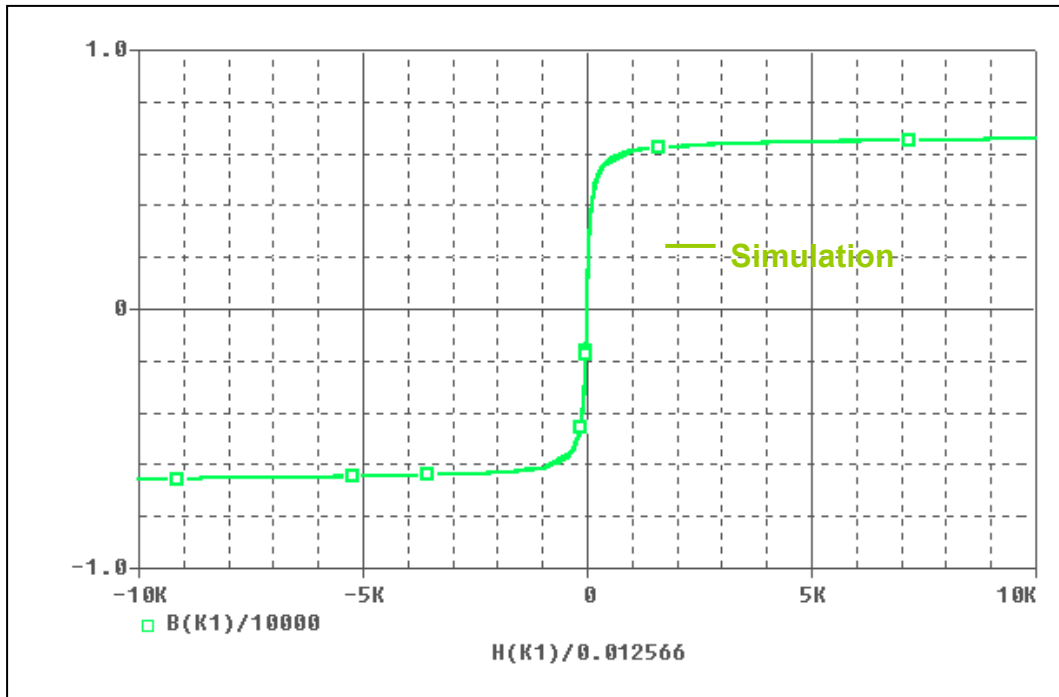
Evaluation Circuit



Simulation result



Simulation result



Comparison Table

H(A/m)	B(mT) Measurement	B(mT) Simulation	%Error
40	260	260.519	0.200
50	300	295.03	1.657
60	320	323.132	0.979
70	346	347.239	0.358
80	365	368.001	0.822
90	390	385.754	1.089
100	400	402.068	0.517
30	200	191.039	4.481
40	240	234.168	2.430
50	275	272.078	1.063
60	300	303.7	1.233
70	330	330.341	0.103
80	350	353.272	0.935
90	375	373.601	0.373
100	400	391.101	2.225