

Device Modeling Report

COMPONENTS:MAGNETIC CORE
PART NUMBER:2H15B
MANUFACTURER:FDK



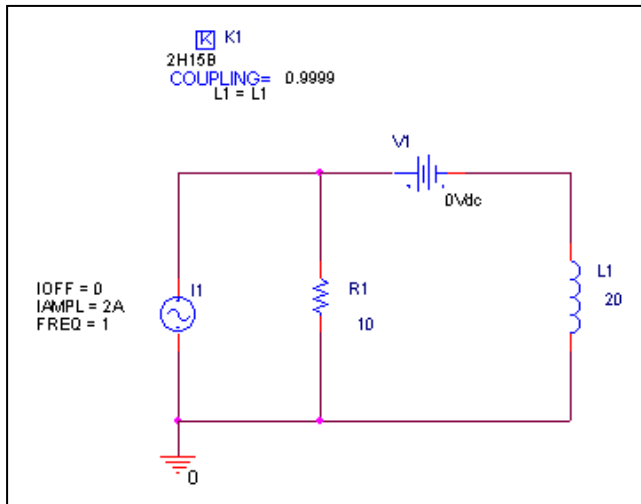
Bee Technologies Inc.

MAGNETIC CORE

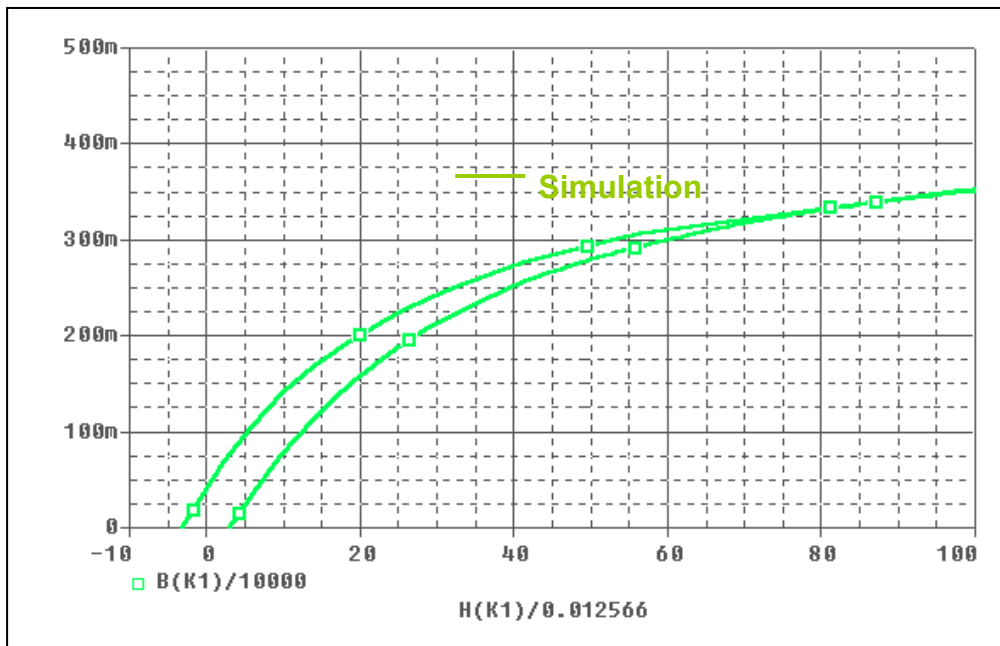
| Pspice model parameter | Model description |
|------------------------|-----------------------------|
| A | thermal energy parameter |
| K | domain anisotropy parameter |
| C | domain flexing parameter |
| MS | magnetization saturation |

Hysteresis Curve Characteristics

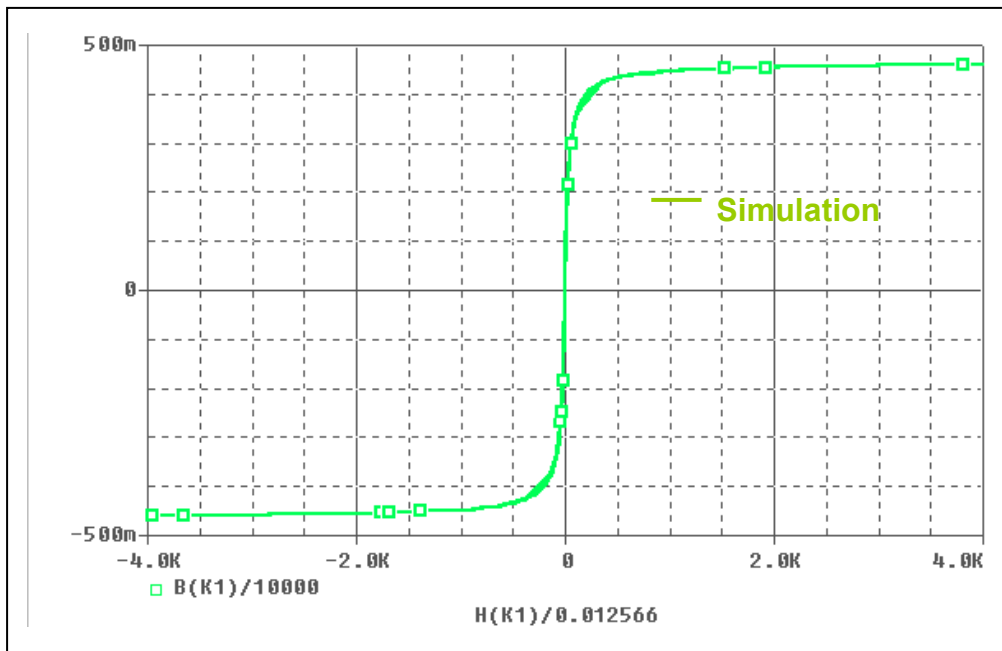
Evaluation Circuit



Simulation result



Simulation result



Comparison Table

| H(A/m) | B(mT) Measurement | B(mT) Simulation | %Error |
|--------|----------------------|---------------------|--------|
| 20 | 210 | 200.334 | 4.603 |
| 30 | 240 | 241.48 | 0.617 |
| 40 | 265 | 271.463 | 2.439 |
| 50 | 285 | 293.468 | 2.971 |
| 60 | 305 | 309.876 | 1.599 |
| 70 | 325 | 321.013 | 1.227 |
| 80 | 340 | 331.667 | 2.451 |
| 90 | 350 | 342.805 | 2.056 |
| 100 | 360 | 353.701 | 1.750 |
| 30 | 225 | 213.157 | 5.264 |
| 40 | 250 | 250.465 | 0.186 |
| 50 | 275 | 278.794 | 1.380 |
| 60 | 292 | 299.791 | 2.668 |
| 70 | 320 | 316.399 | 1.125 |
| 80 | 335 | 329.804 | 1.551 |
| 90 | 350 | 341.148 | 2.529 |
| 100 | 360 | 350.448 | 2.653 |