

# Device Modeling Report

COMPONENTS:MAGNETIC CORE  
PART NUMBER:2P50  
MANUFACTURER:FERROXCUBE



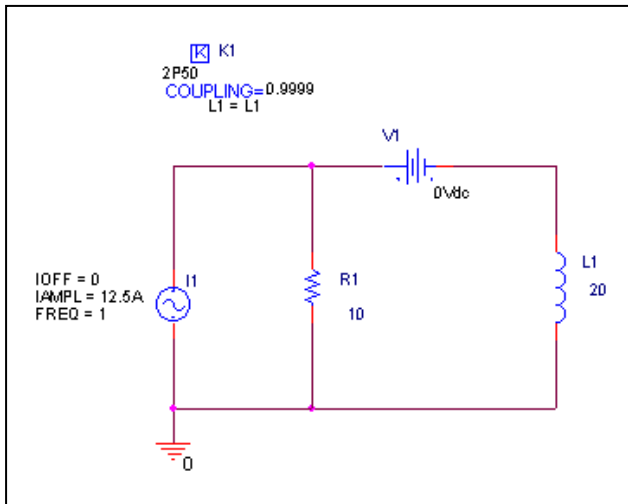
**Bee Technologies Inc.**

## MAGNETIC CORE

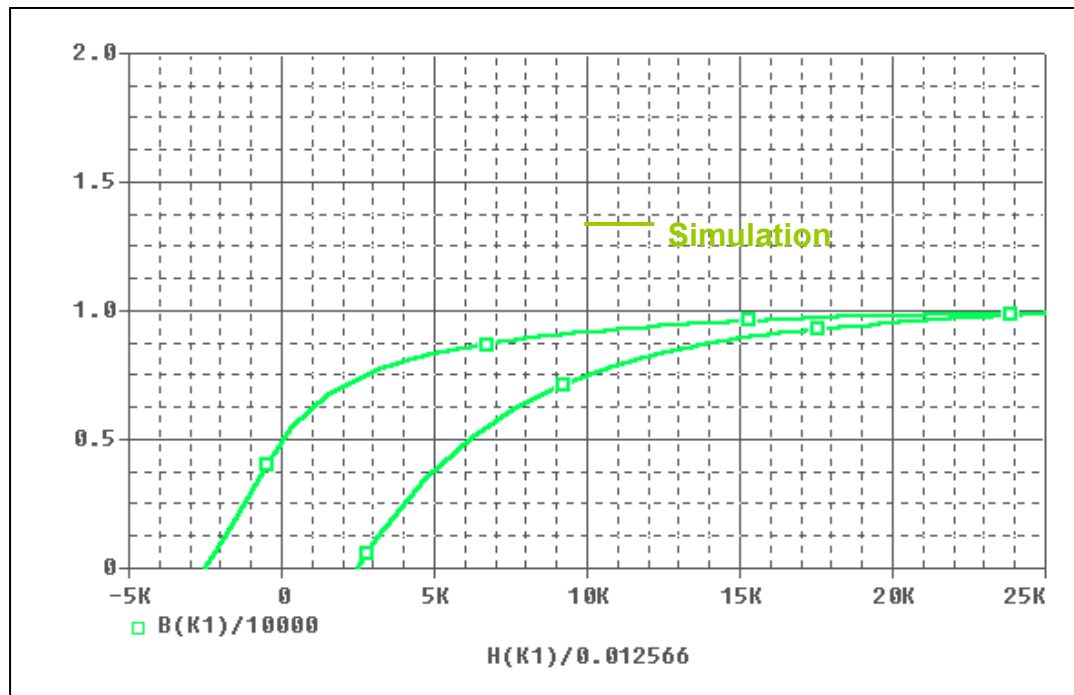
Pspice model parameter	Model description
A	thermal energy parameter
K	domain anisotropy parameter
C	domain flexing parameter
MS	magnetization saturation

# Hysteresis Curve Characteristics

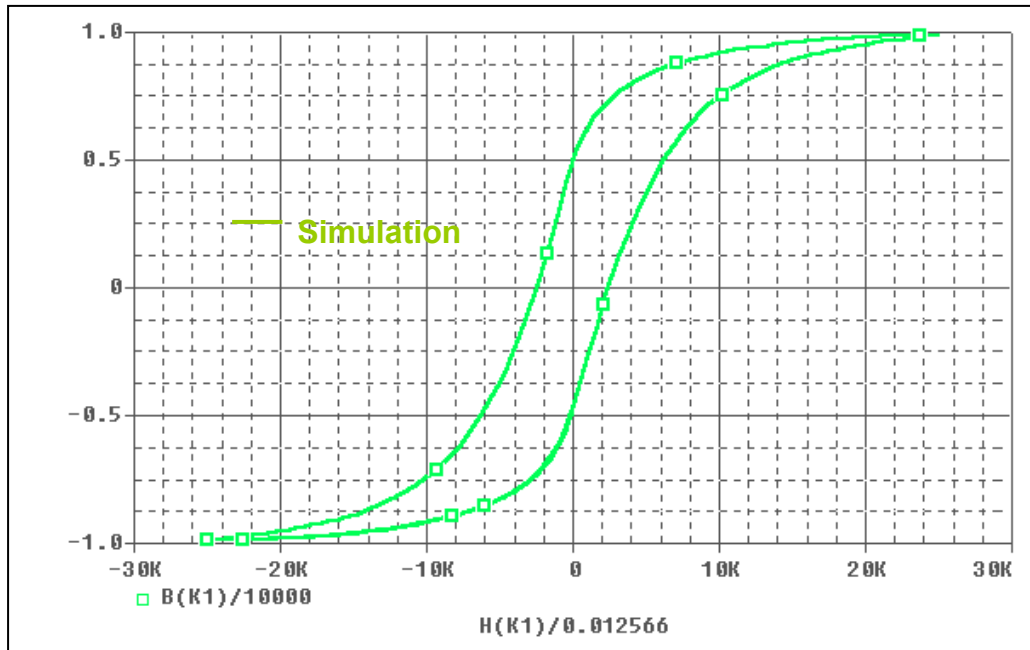
## Evaluation Circuit



## Simulation result



Simulation result



Comparison Table

H(A/m)	B(mT) Measurement	B(mT) Simulation	%Error
0	460	478.873	4.103
5000	800	829.451	3.681
7500	875	882.798	0.891
10000	910	917.03	0.773
12500	960	941.594	1.917
15000	980	959.785	2.063
17500	1000	973.065	2.693
20000	1000	981.508	1.849
22500	1010	985.692	2.407
25000	1015	989.471	2.515
7500	625	602.439	3.610
10000	750	743.813	0.825
12500	800	832.523	4.065
15000	890	889.172	0.093
17500	950	926.988	2.422
20000	990	953.802	3.656
22500	1010	973.807	3.583
25000	1015	989.478	2.514