

# Device Modeling Report

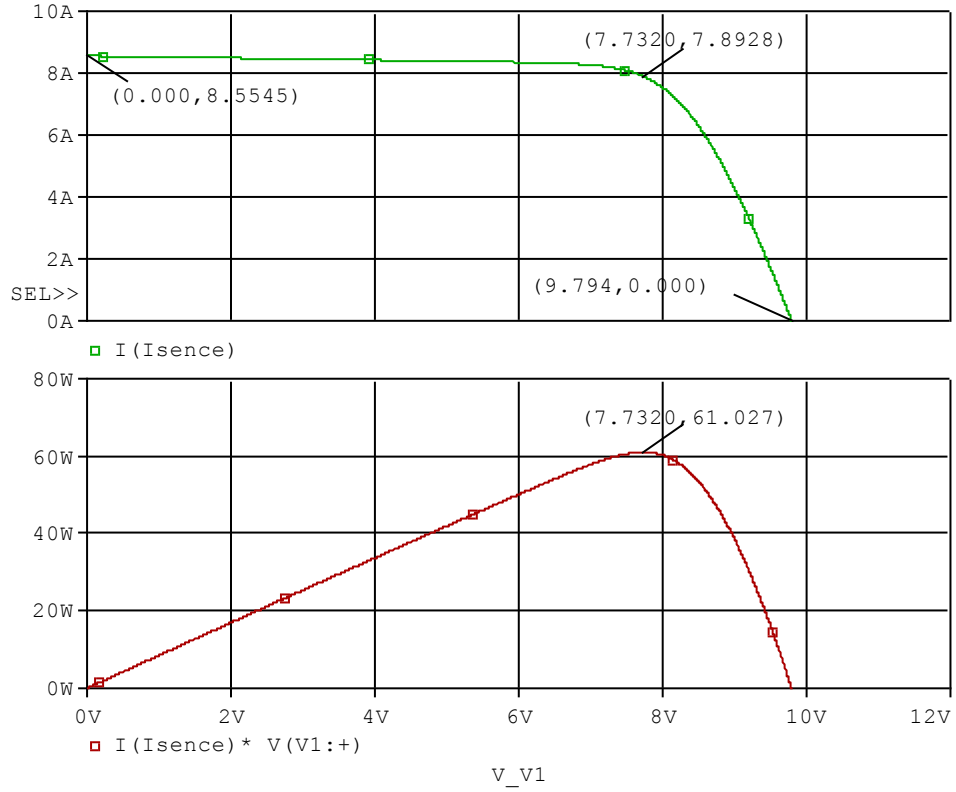
COMPONENTS: Solar Cell  
PART NUMBER: SD-62X-QPS-B  
MUNUFACTURER: KYOCERA  
REMARK: Pmax=62(W)



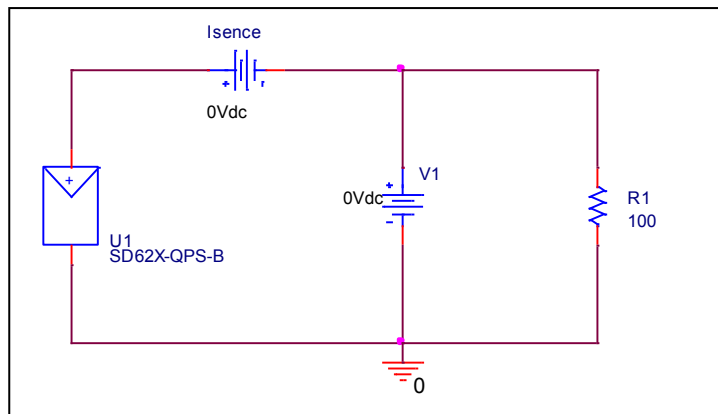
**Bee Technologies Inc.**

# Output Characteristic

## Circuit Simulation Result



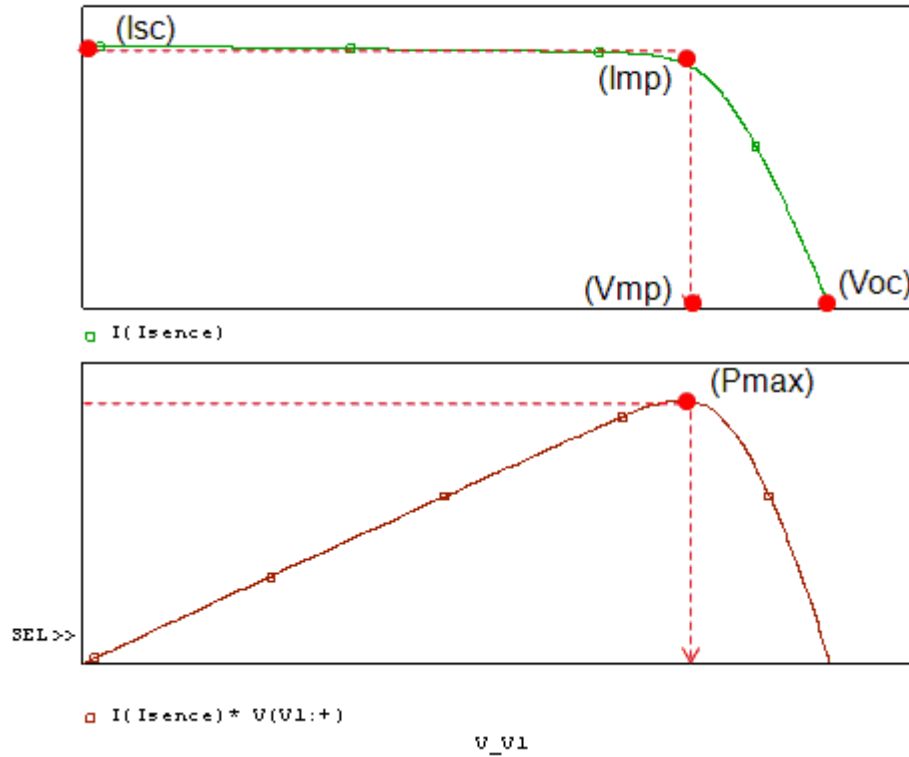
## Simulation Circuit



## Output Characteristic

## Reference

### Circuit Simulation Result



### Data Table

Symbol	Measurement	Simulation	%Error
Pmax	62.0000	61.0270	-1.569
Vmp	7.9000	7.7320	-2.127
Imp	7.9000	7.8928	-0.091
Isc	8.5900	8.5545	-0.413
Voc	9.8000	9.7930	-0.071

## Data Information

No. SD62X-QPS-B	
Maximum power(Pmax)	62W
Voltage at Pmax(Vmp)	7.9V
Current at Pmax(Imp)	7.9A
Short-circuit current(Isc)	8.59A
Open-circuit voltage(Voc)	9.8V