

Device Modeling Report

COMPONENTS:MAGNETIC CORE
PART NUMBER:2P65
MANUFACTURER:FERROXCUBE



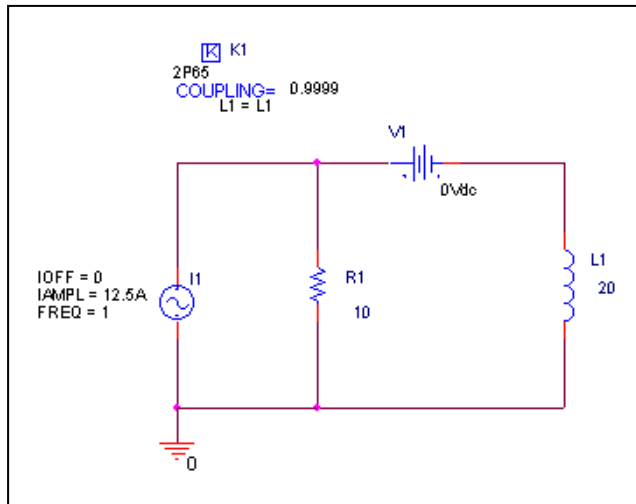
Bee Technologies Inc.

MAGNETIC CORE

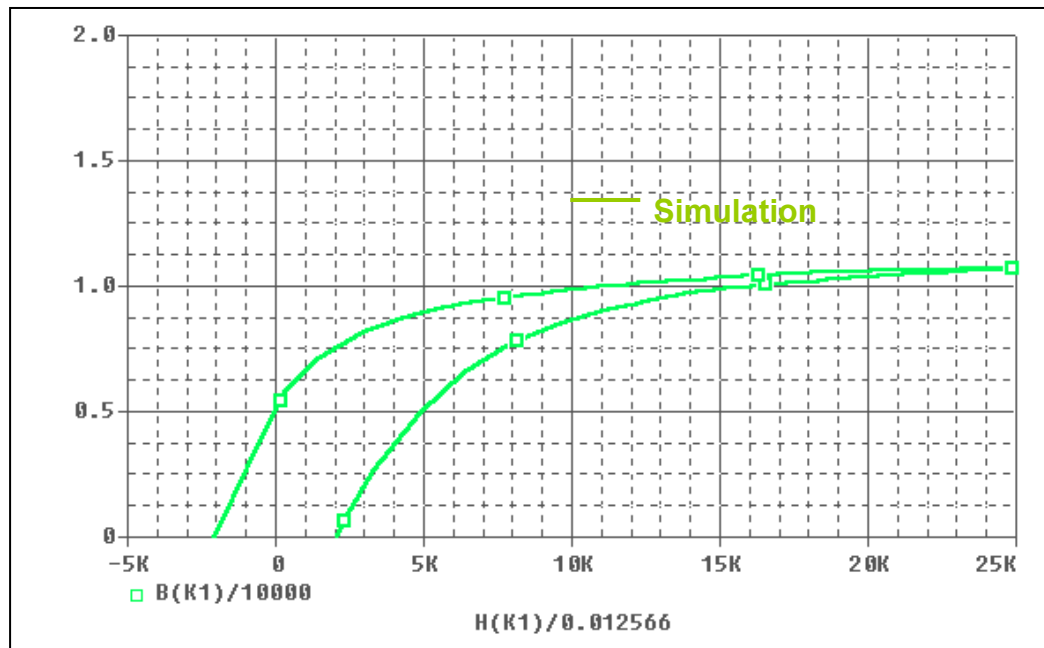
Pspice model parameter	Model description
A	thermal energy parameter
K	domain anisotropy parameter
C	domain flexing parameter
MS	magnetization saturation

Hysteresis Curve Characteristics

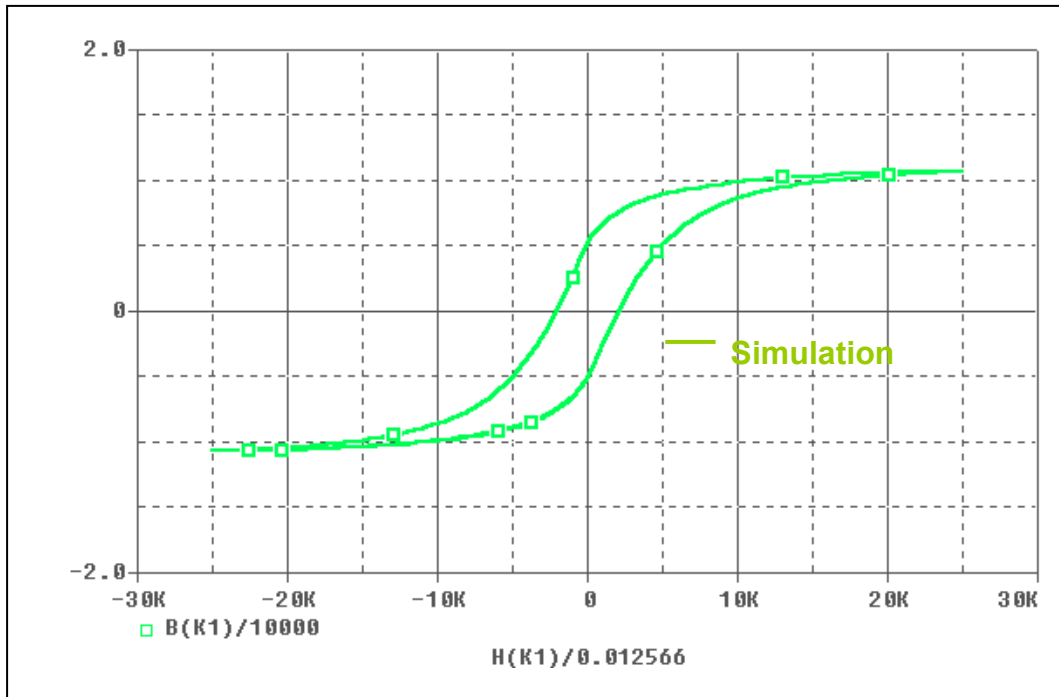
Evaluation Circuit



Simulation result



Simulation result



Comparison Table

H(A/m)	B(mT) Measurement	B(mT) Simulation	%Error
-1000	250	260.563	4.225
5000	875	891.546	1.891
7500	900	950.514	5.613
10000	1000	987.443	1.256
12500	1010	1014.1	0.406
15000	1020	1034.2	1.392
17500	1040	1049.6	0.923
20000	1060	1060.9	0.085
22500	1080	1066.7	1.231
25000	1100	1070	2.727
7500	755	736.412	2.462
10000	850	864.524	1.709
12500	920	939.16	2.083
15000	980	985.22	0.533
17500	1030	1016.1	1.350
20000	1060	1038.5	2.028
22500	1080	1055.9	2.231
25000	1100	1070	2.727