

# Device Modeling Report

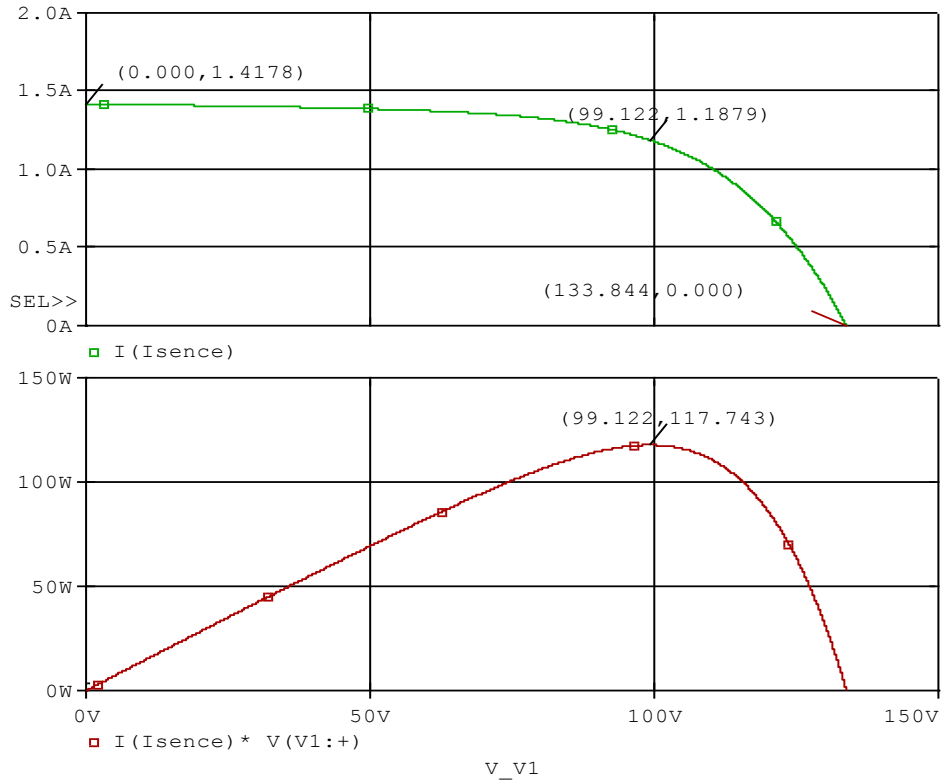
COMPONENTS: Solar Cell  
PART NUMBER: MT120  
MANUFACTURER: MITSUBISHI HEAVY INDUSTRIES  
REMARK: Pmax= 120(W)



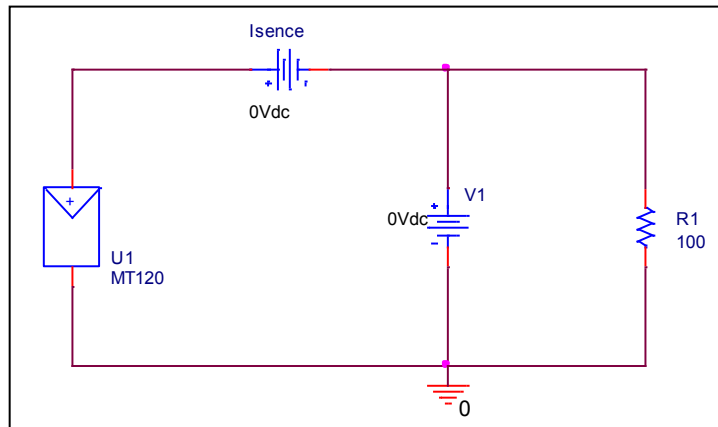
**Bee Technologies Inc.**

# Output Characteristic

## Circuit Simulation Result



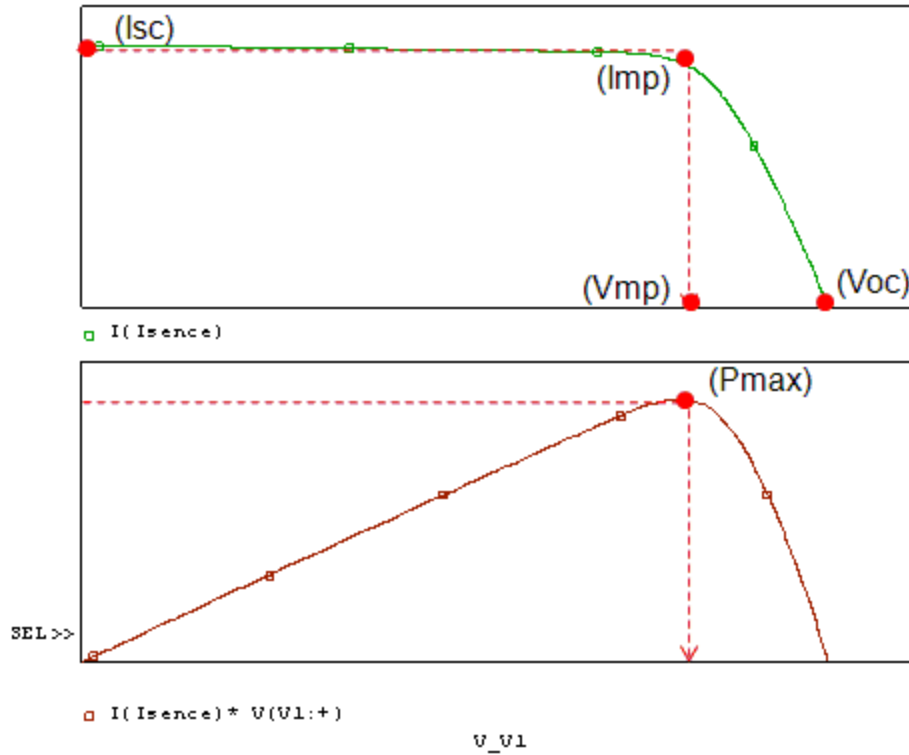
## Simulation Circuit



## Output Characteristic

## Reference

### Circuit Simulation Result



### Data Table

Symbol	Measurement	Simulation	%Error
Pmax	120.000	117.743	-1.881
Vmp	101.000	99.122	-1.859
Imp	1.190	1.188	-0.176
Voc	131.000	133.844	2.171
Isc	1.420	1.418	-0.155

## Data Information

---

No. MT120	
Maximum output (Pmax)	120.000
Maximum power voltage (Vmp)	101.000
Maximum power current (Imp)	1.190
Open circuit voltage (Voc)	131.000
Short circuit current (Isc)	1.420