

Device Modeling Report

COMPONENTS:MAGNETIC CORE
PART NUMBER:2P80
MANUFACTURER:FERROXCUBE



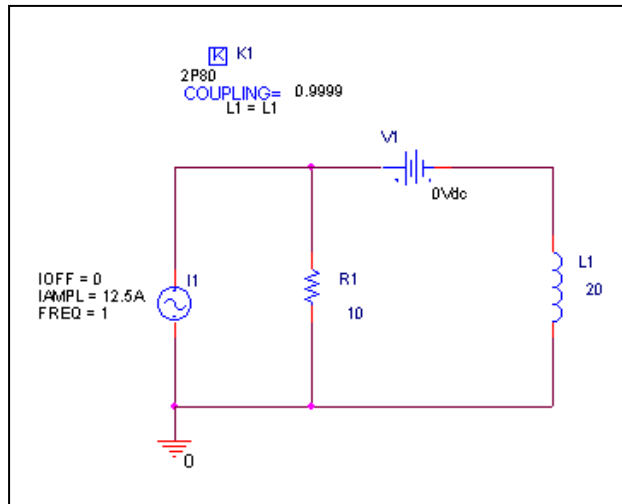
Bee Technologies Inc.

MAGNETIC CORE

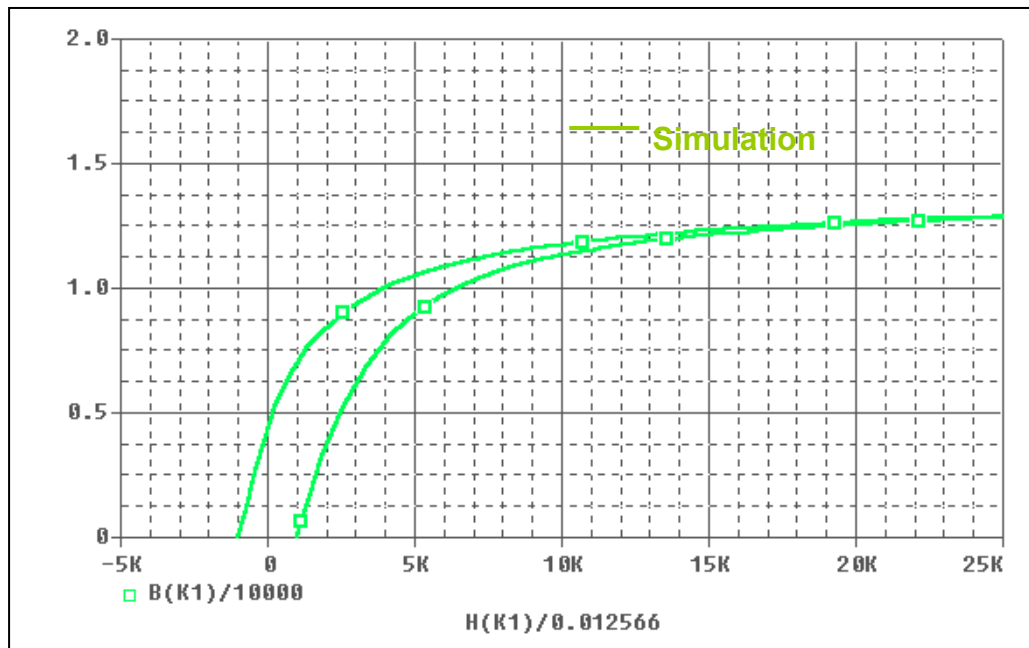
Pspice model parameter	Model description
A	thermal energy parameter
K	domain anisotropy parameter
C	domain flexing parameter
MS	magnetization saturation

Hysteresis Curve Characteristics

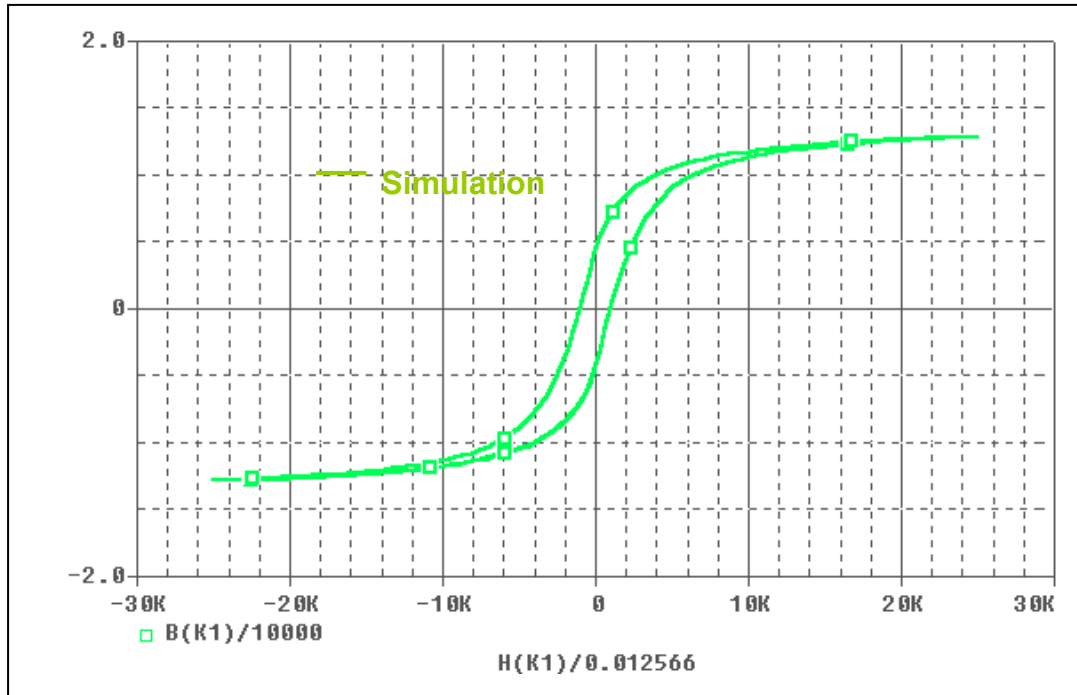
Evaluation Circuit



Simulation result



Simulation result



Comparison Table

H(A/m)	B(mT) Measurement	B(mT) Simulation	%Error
2500	850	897.69	5.611
5000	1050	1048.2	0.171
7500	1125	1127.8	0.249
10000	1200	1176	2.000
12500	1240	1209	2.500
15000	1250	1233.6	1.312
17500	1255	1252.9	0.167
20000	1260	1268.5	0.675
22500	1270	1280.5	0.827
25000	1280	1285.7	0.445
2500	500	500	0.000
5000	880	896.891	1.919
7500	1050	1052.8	0.267
10000	1125	1132.9	0.702
12500	1200	1181.2	1.567
15000	1240	1213.7	2.121
17500	1255	1238.1	1.347
20000	1260	1257	0.238
22500	1270	1272.6	0.205
25000	1280	1285.7	0.445