

Device Modeling Report

COMPONENTS:MAGNETIC CORE
PART NUMBER:2P90
MANUFACTURER:FERROXCUBE



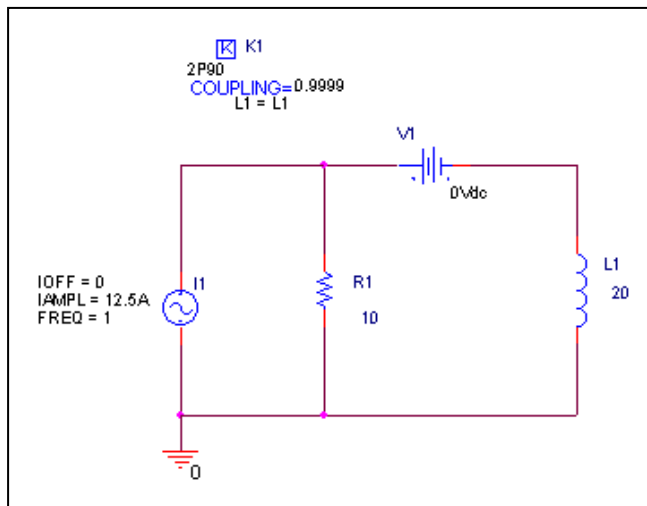
Bee Technologies Inc.

MAGNETIC CORE

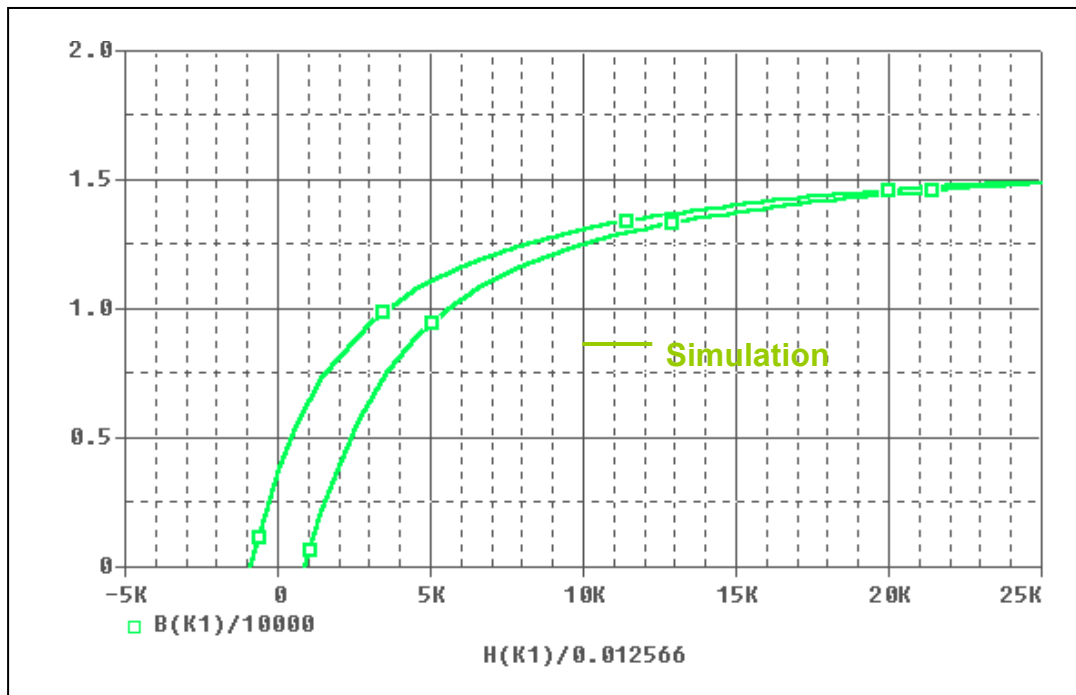
Pspice model parameter	Model description
A	thermal energy parameter
K	domain anisotropy parameter
C	domain flexing parameter
MS	magnetization saturation

Hysteresis Curve Characteristics

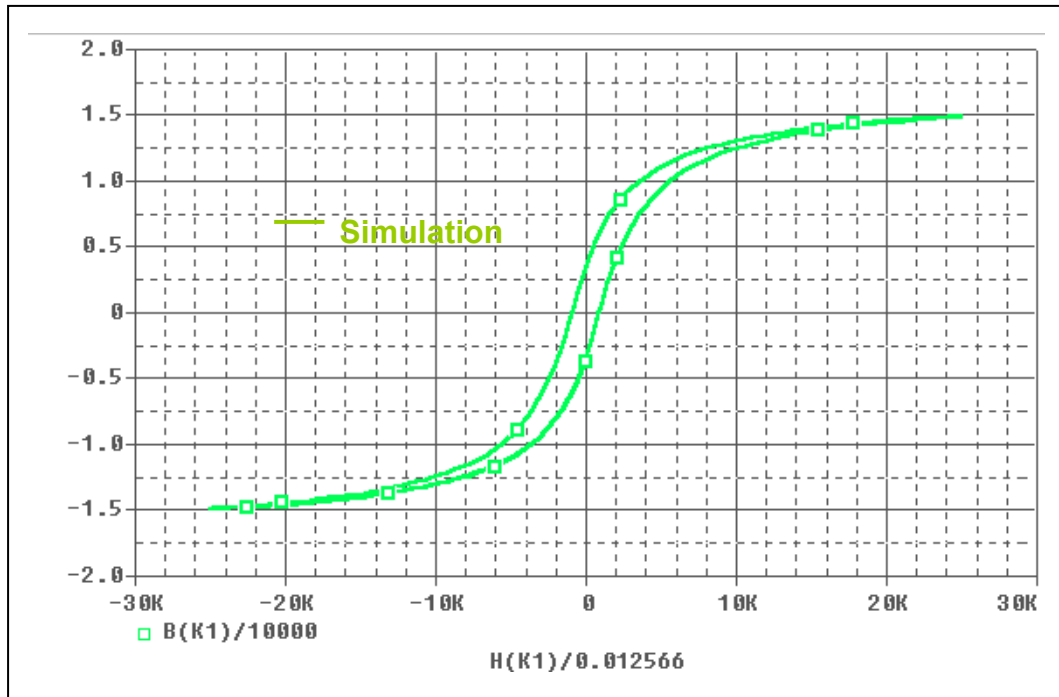
Evaluation Circuit



Simulation result



Simulation result



Comparison Table

H(A/m)	B(mT) Measurement	B(mT) Simulation	%Error
5000	1100	1103.1	0.282
7500	1240	1226.8	1.065
10000	1280	1304.8	1.938
12500	1375	1360.2	1.076
15000	1400	1401.4	0.100
17500	1455	1433.5	1.478
20000	1465	1459.4	0.382
22500	1475	1479.8	0.325
25000	1500	1487.9	0.807
5000	990	937.759	5.277
7500	1180	1135.5	3.771
10000	1255	1247.5	0.598
12500	1300	1320.6	1.585
15000	1390	1372.5	1.259
17500	1455	1411.4	2.997
20000	1465	1442.1	1.563
22500	1475	1467	0.542
25000	1500	1487.9	0.807