

Device Modeling Report

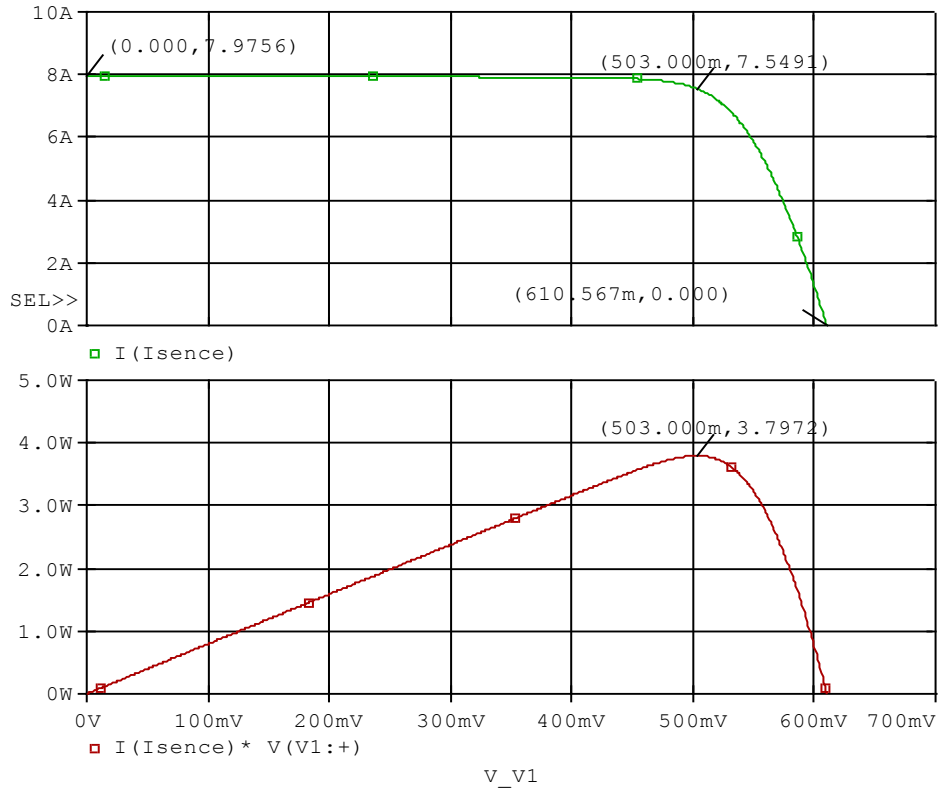
COMPONENTS: Solar Cell
PART NUMBER: Q6LTT-1560
MANUFACTURER: Q.CELLS
REMARK: $P_{max}=3.8(W)$



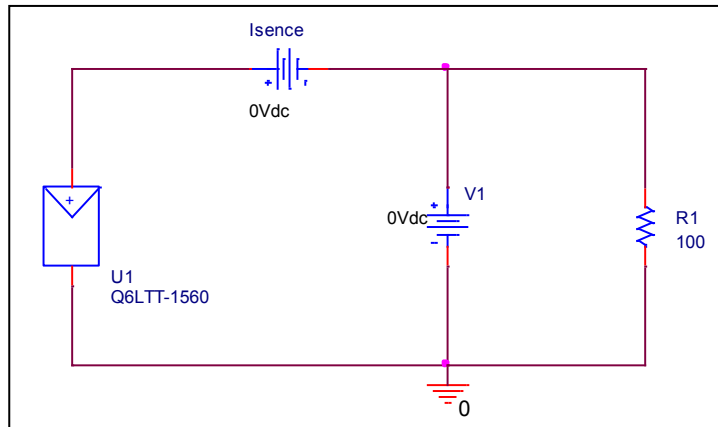
Bee Technologies Inc.

Output Characteristic

Circuit Simulation Result



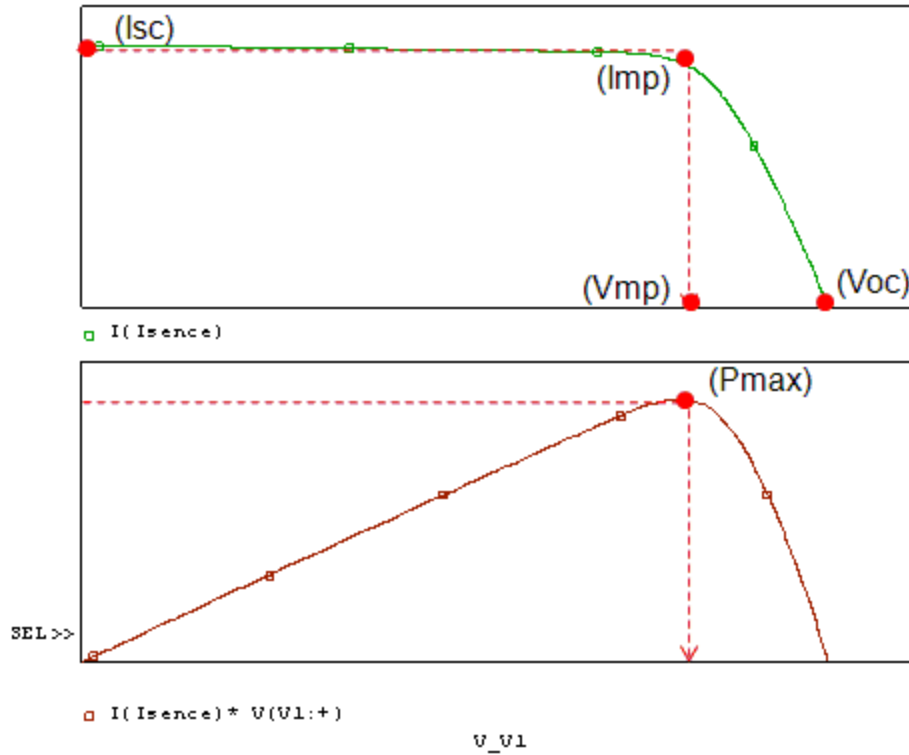
Simulation Circuit



Output Characteristic

Reference

Circuit Simulation Result



Data Table

Symbol	Measurement	Simulation	%Error
Pmax	3.8000	3.7972	-0.074
Vmp	0.5033	0.5030	-0.062
Imp	7.5500	7.5491	-0.012
Voc	0.6110	0.6106	-0.071
Isc	8.0300	7.9756	-0.677

Data Information

No. Q6LTT-1560	
Maximum output (Pmax)	3.8000(W)
Maximum power voltage (Vmp)	0.5033(V)
Maximum power current (Imp)	7.5500(A)
Open circuit voltage (Voc)	0.6110(V)
Short circuit current (Isc)	8.0300(A)