

Device Modeling Report

COMPONENTS:MAGNETIC CORE
PART NUMBER:3C11
MANUFACTURER:FERROXCUBE



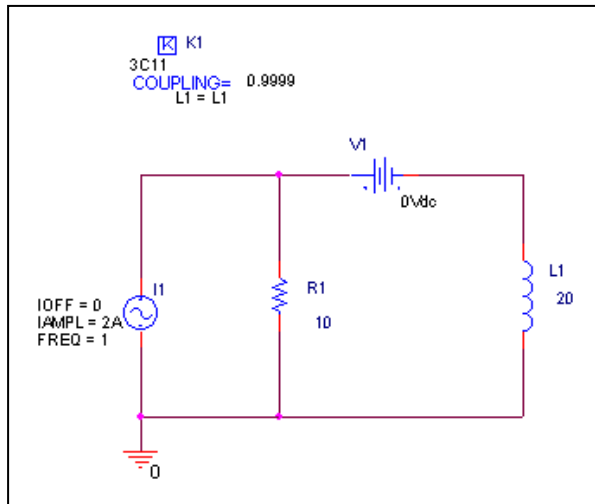
Bee Technologies Inc.

MAGNETIC CORE

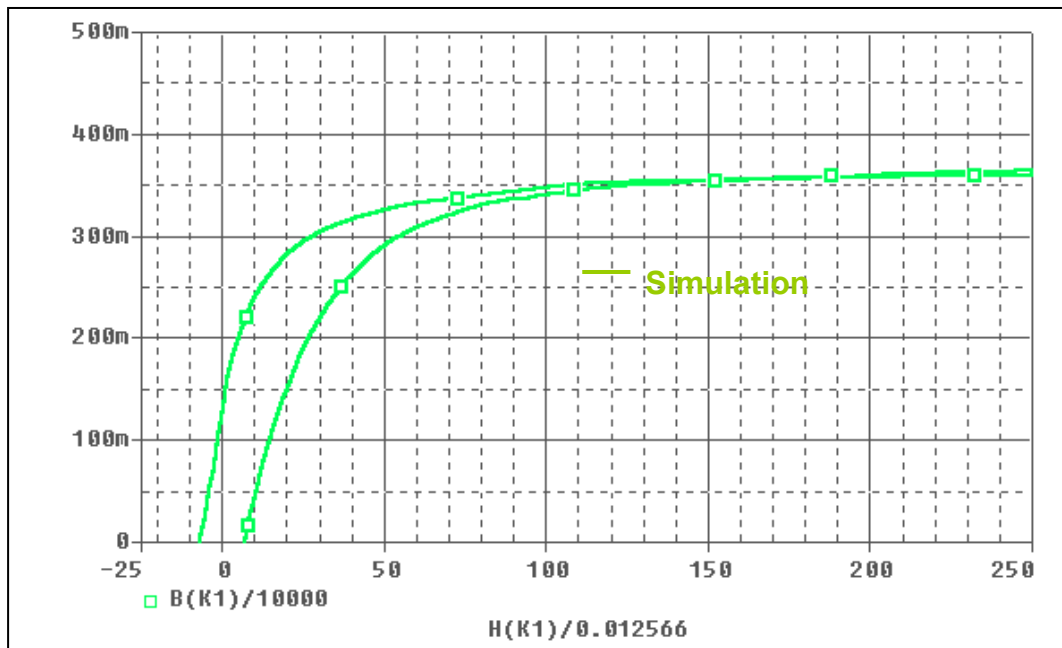
Pspice model parameter	Model description
A	thermal energy parameter
K	domain anisotropy parameter
C	domain flexing parameter
MS	magnetization saturation

Hysteresis Curve Characteristics

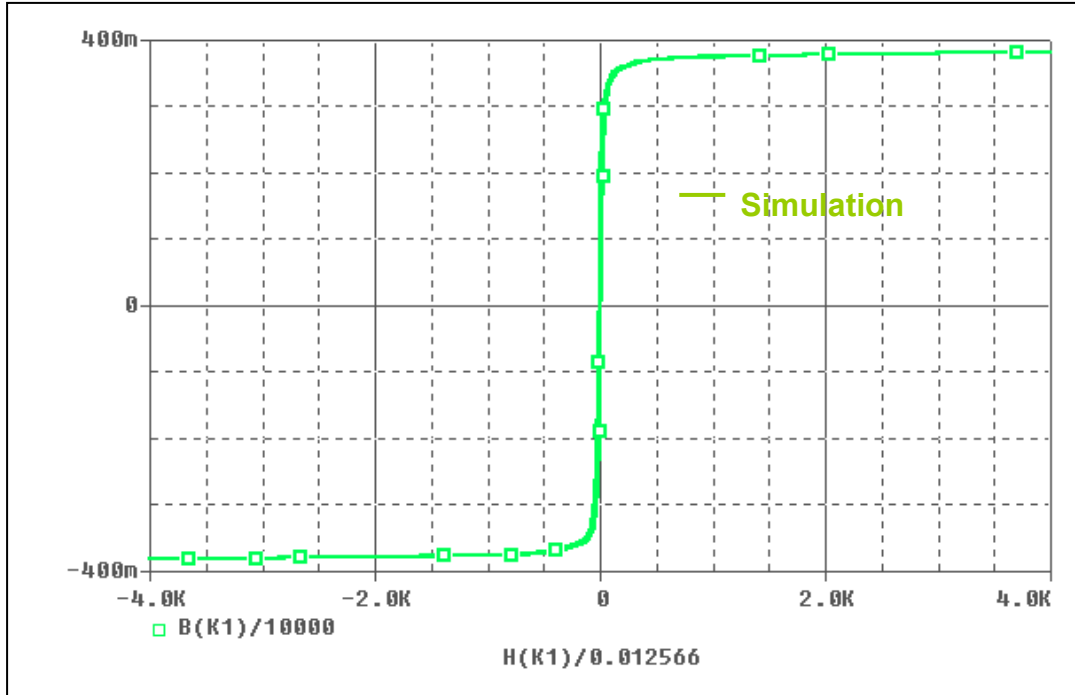
Evaluation Circuit



Simulation result



Simulation result



Comparison Table

H(A/m)	B(mT) Measurement	B(mT) Simulation	%Error
75	345	337.83	2.078
100	352	346.629	1.526
125	354	352.192	0.511
150	355	353.938	0.299
175	358	355.723	0.636
200	360	360.275	0.076
225	365	362.154	0.780
250	365	363.867	0.310
50	285	290.326	1.869
75	335	325.915	2.712
100	350	340.977	2.578
125	352	349.106	0.822
150	355	354.071	0.262
175	358	357.608	0.109
200	360	360.275	0.076
225	365	362.154	0.780
250	365	363.867	0.310