

# Device Modeling Report

COMPONENTS:MAGNETIC CORE  
PART NUMBER:3C30  
MANUFACTURER:FERROXCUBE



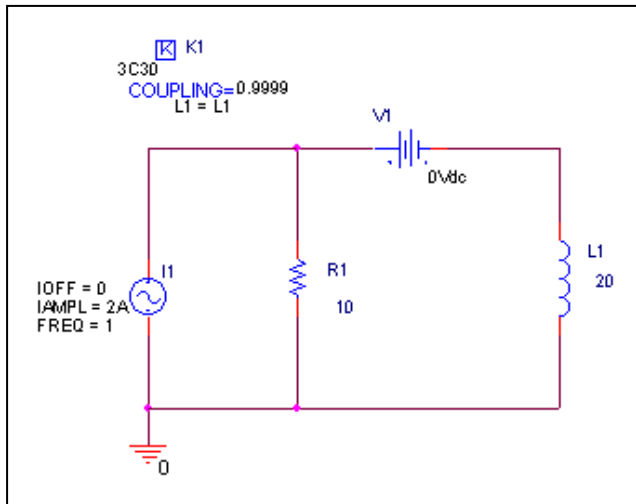
**Bee Technologies Inc.**

## MAGNETIC CORE

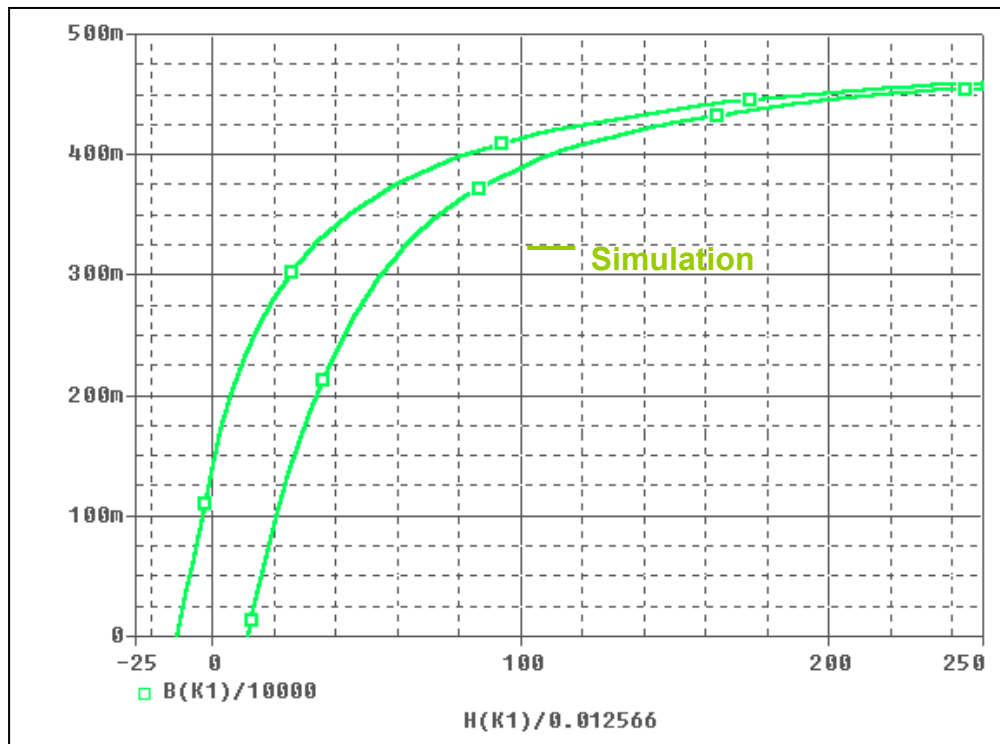
Pspice model parameter	Model description
A	thermal energy parameter
K	domain anisotropy parameter
C	domain flexing parameter
MS	magnetization saturation

# Hysteresis Curve Characteristics

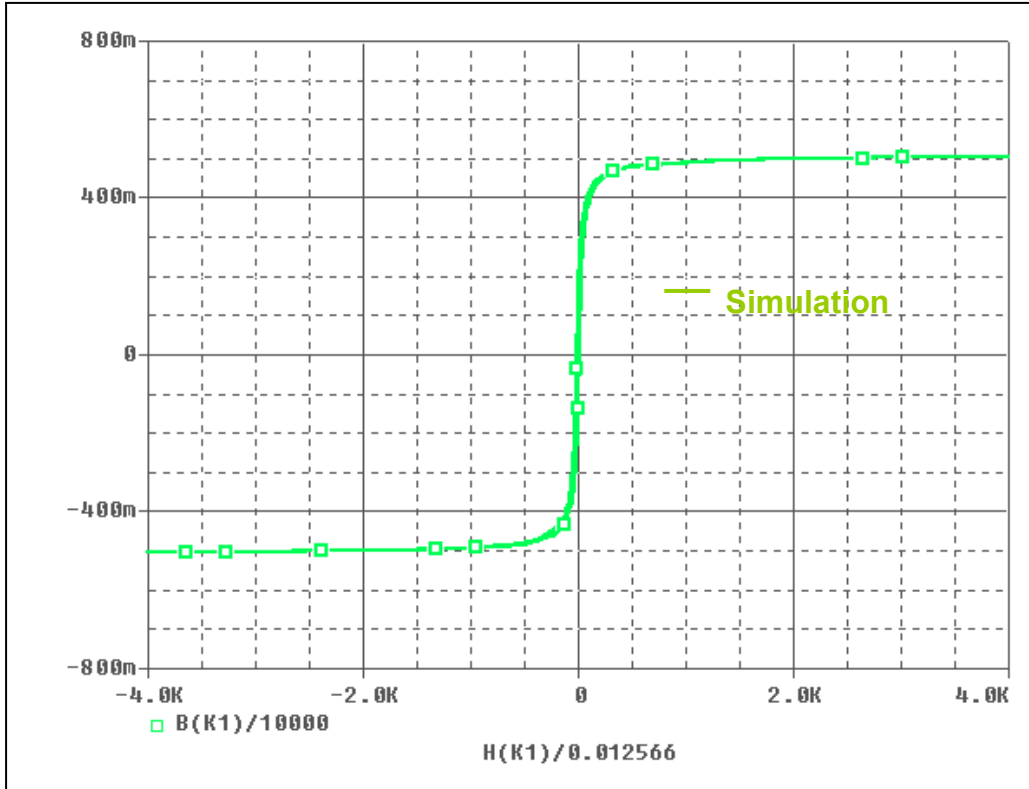
## Evaluation Circuit



## Simulation result



Simulation result



Comparison Table

H(A/m)	B(mT) Measurement	B(mT) Simulation	%Error
25	295	300.578	1.891
50	355	359.54	1.279
75	400	392.845	1.789
100	420	412.657	1.748
125	430	426.104	0.906
150	440	436.104	0.885
175	445	444.817	0.041
200	448	450.606	0.582
225	450	456.526	1.450
250	450	459.083	2.018
75	360	352.647	2.043
100	390	389.017	0.252
125	408	411.459	0.848
150	425	426.172	0.276
175	440	436.593	0.774
200	445	444.62	0.085
225	450	451.081	0.240
250	450	455.844	1.299