

Device Modeling Report

COMPONENTS:MAGNETIC CORE
PART NUMBER:3C93
MANUFACTURER:FERROXCUBE



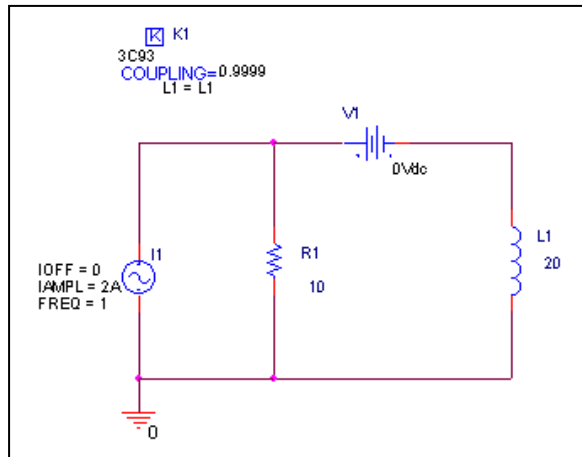
Bee Technologies Inc.

MAGNETIC CORE

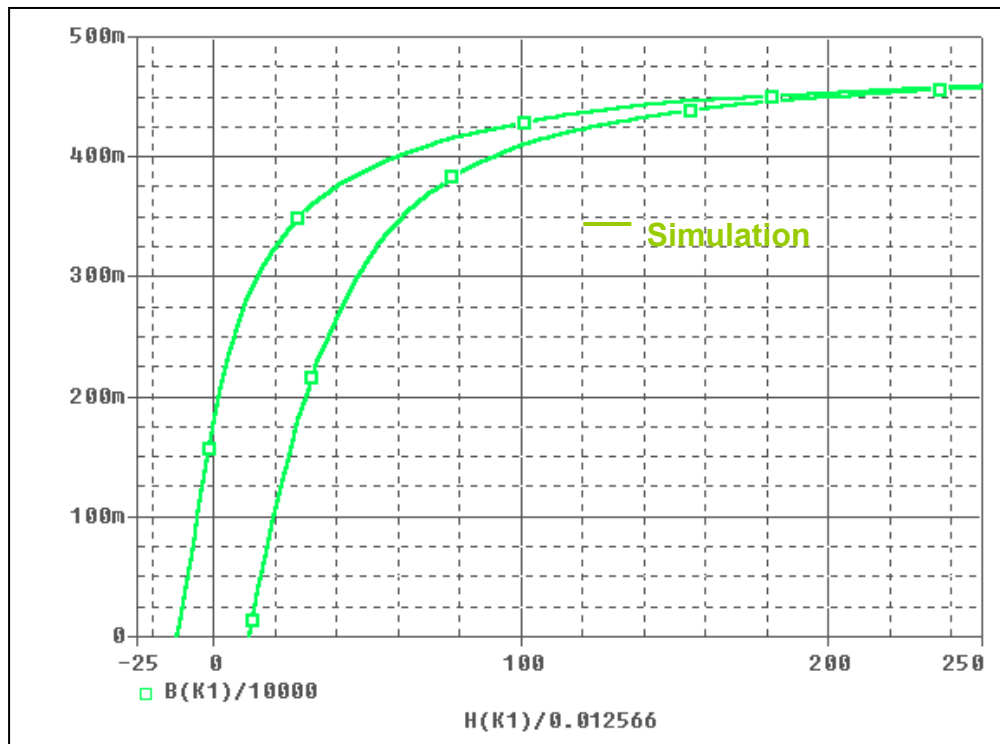
Pspice model parameter	Model description
A	thermal energy parameter
K	domain anisotropy parameter
C	domain flexing parameter
MS	magnetization saturation

Hysteresis Curve Characteristics

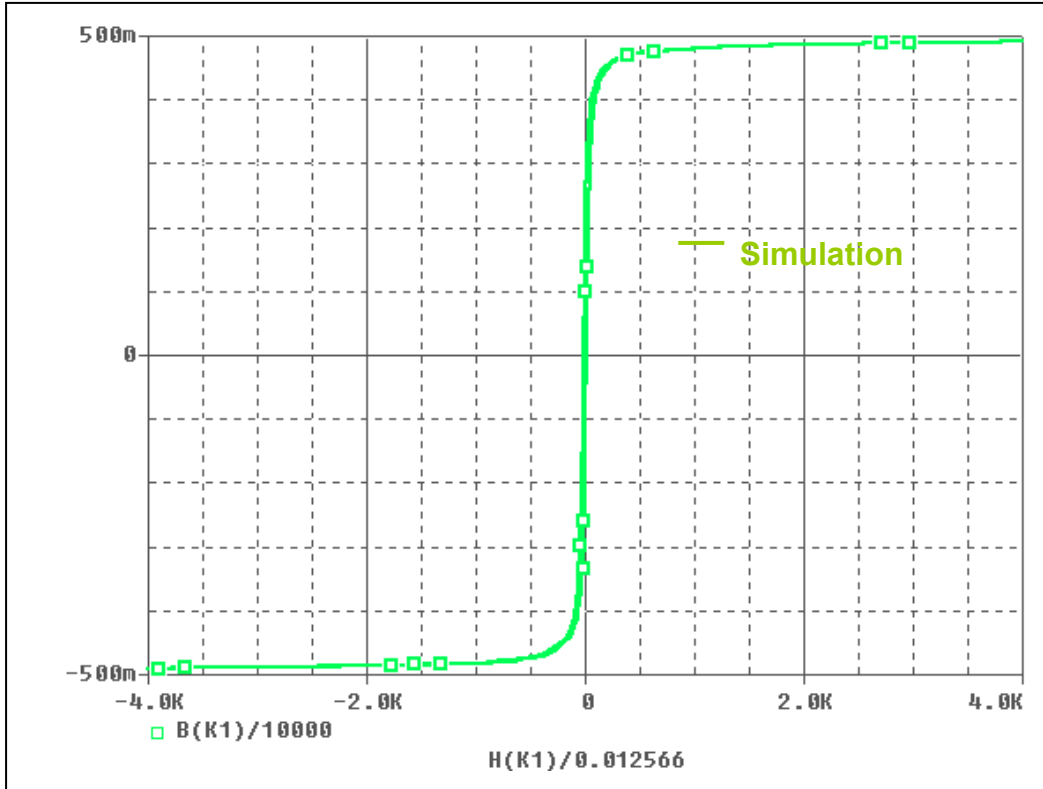
Evaluation Circuit



Simulation result



Simulation result



Comparison Table

H(A/m)	B(mT) Measurement	B(mT) Simulation	%Error
50	390	389.761	0.061
75	420	414.115	1.401
100	435	427.569	1.708
125	445	437.967	1.580
150	447	445.107	0.423
175	448	448.858	0.192
225	448	456.444	1.885
250	448	457.515	2.124
25	150	155.94	3.960
75	393	378.625	3.658
100	410	409.04	0.234
125	420	426.073	1.446
150	440	436.779	0.732
175	445	444.274	0.163
225	448	453.904	1.318
250	448	457.578	2.138