

Device Modeling Report

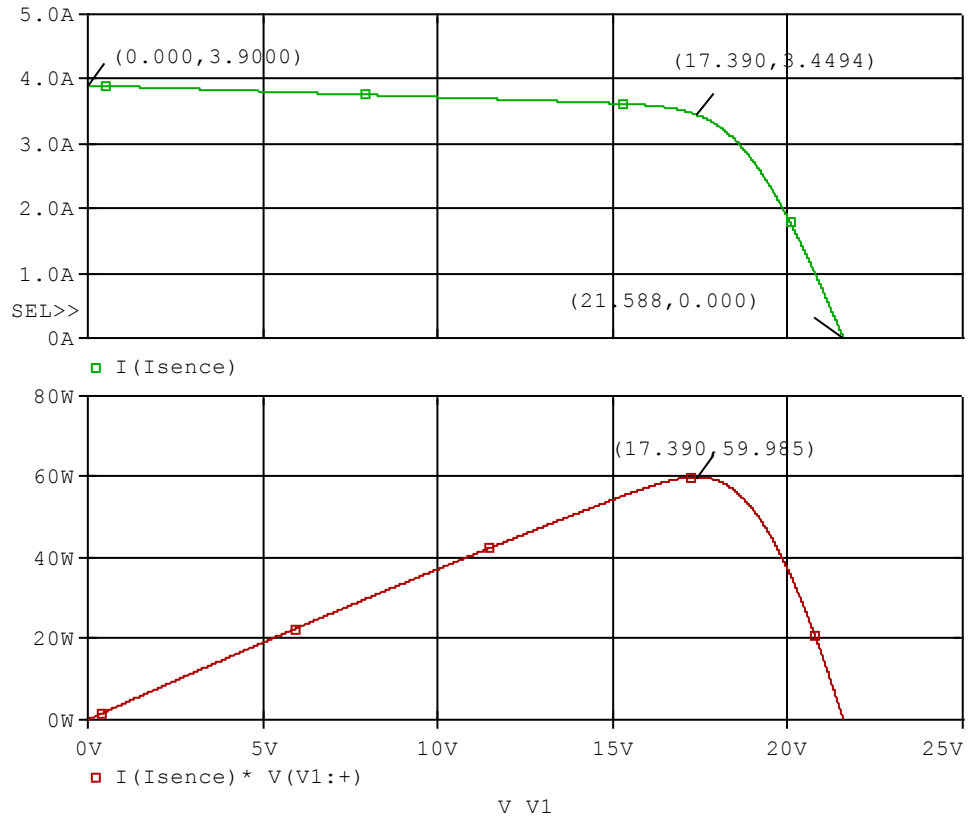
COMPONENTS: Solar Cell
PART NUMBER: STP060D-12/SEA
MUNUFACTURER: Suntech Power
REMARK: Pmax=60(W)



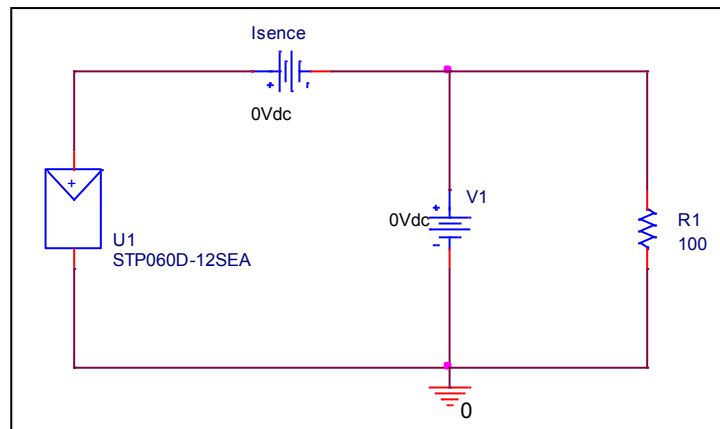
Bee Technologies Inc.

Output Characteristic

Circuit Simulation Result



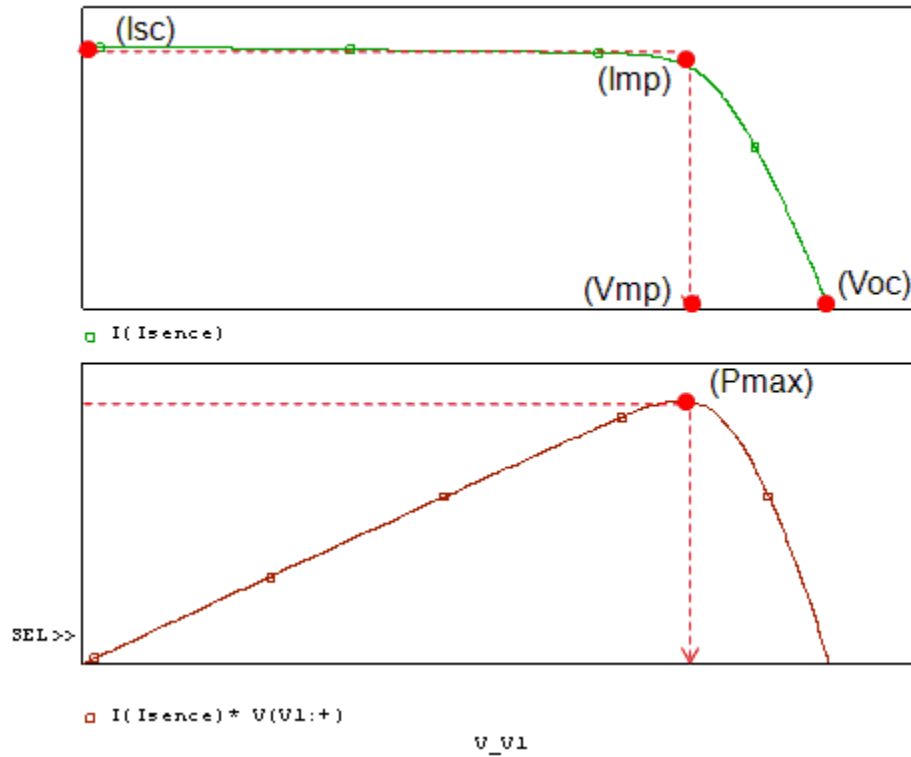
Simulation Circuit



Output Characteristic

Reference

Circuit Simulation Result



Data Table

Symbol	Measurement	Simulation	%Error
Pmax	60.000	59.985	-0.025
Vmp	17.400	17.390	-0.057
Imp	3.450	3.449	-0.017
Voc	21.600	21.588	-0.056
Isc	3.900	3.900	0.000

Data Information

No.STP060D-12/SEA	
Maximum output (Pmax)	60.000
Maximum power voltage (Vmp)	17.400
Maximum power current (Imp)	3.450
Open circuit voltage (Voc)	21.600
Short circuit current (Isc)	3.900