

Device Modeling Report

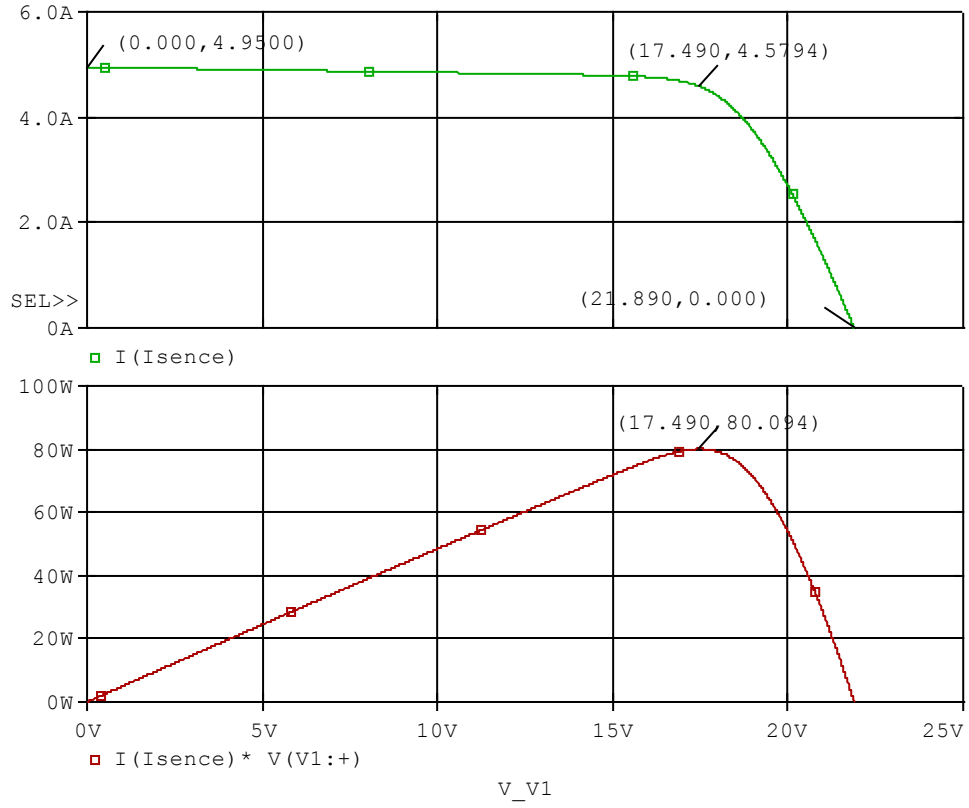
COMPONENTS: Solar Cell
PART NUMBER: STP080B-12/BEA
MUNUFACTURER: Suntech Power
REMARK: Pmax=80(W)



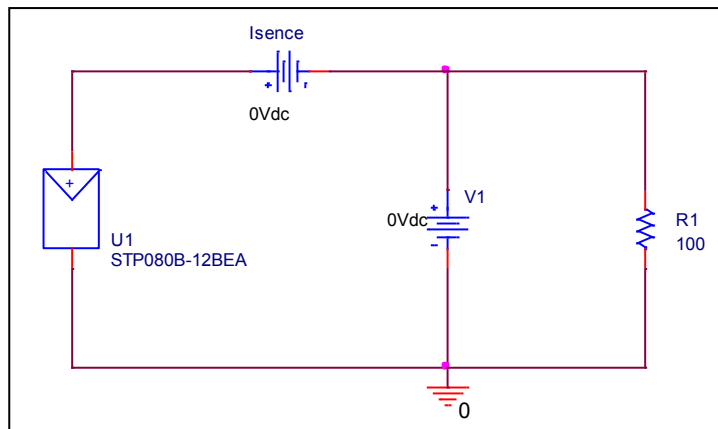
Bee Technologies Inc.

Output Characteristic

Circuit Simulation Result



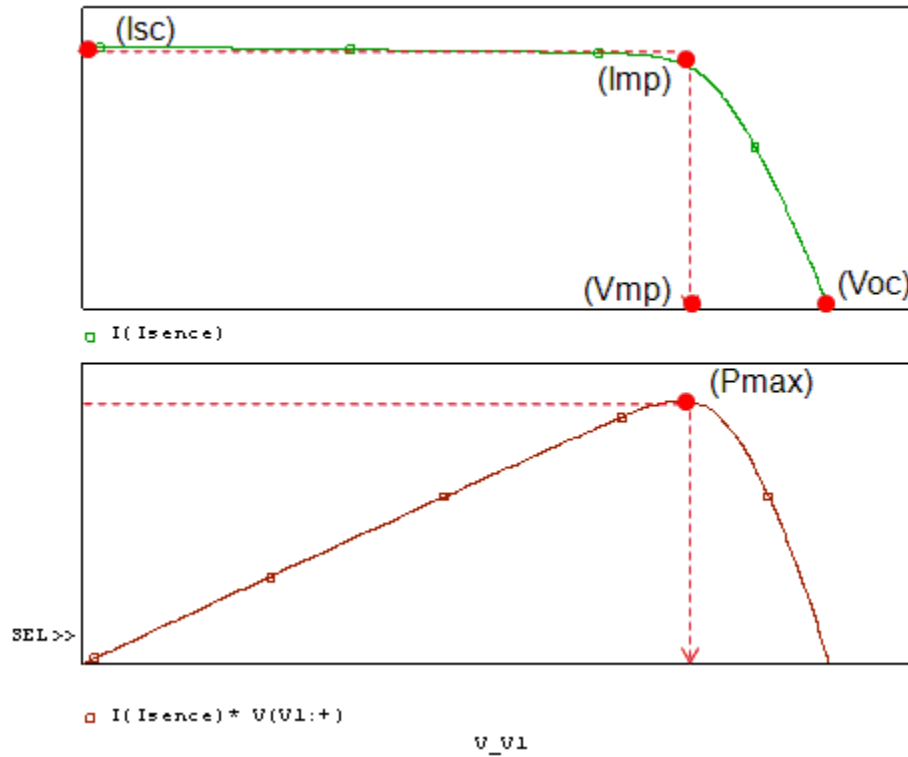
Simulation Circuit



Output Characteristic

Reference

Circuit Simulation Result



Data Table

Symbol	Measurement	Simulation	%Error
Pmax	80.000	80.094	0.117
Vmp	17.500	17.490	-0.057
Imp	4.580	4.579	-0.013
Voc	21.900	21.890	-0.046
Isc	4.950	4.950	0.000

Data Information

No.STP080B-12/BEA	
Maximum output (Pmax)	80.000
Maximum power voltage (Vmp)	17.500
Maximum power current (Imp)	4.580
Open circuit voltage (Voc)	21.900
Short circuit current (Isc)	4.950