

# Device Modeling Report

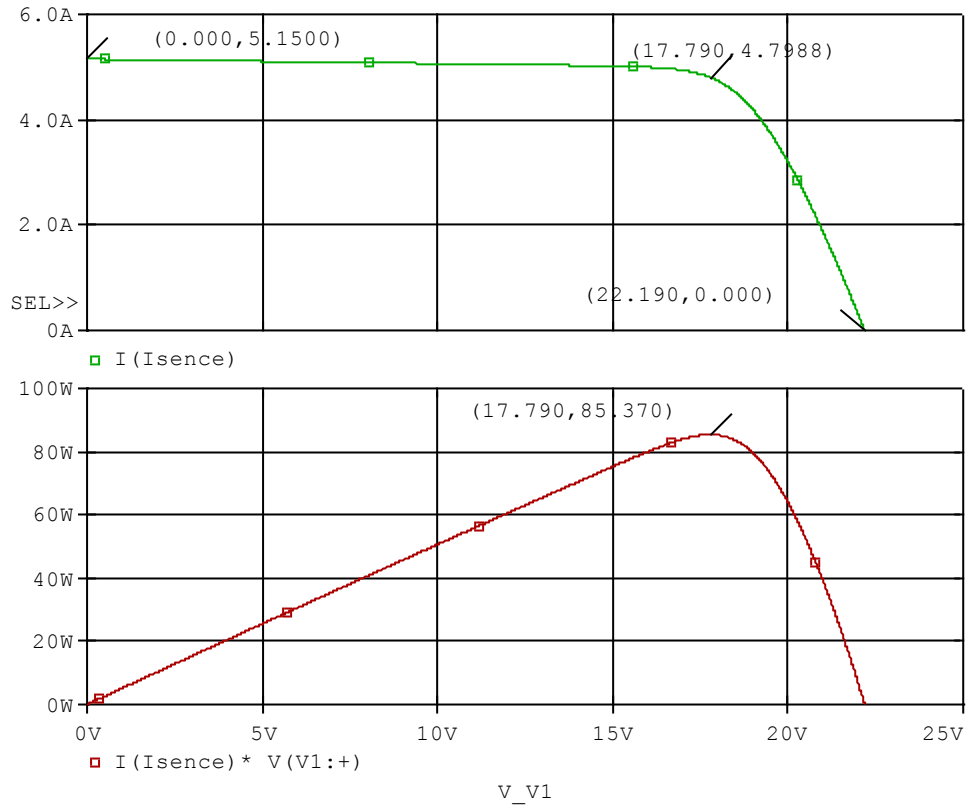
COMPONENTS: Solar Cell  
PART NUMBER: STP085B-12/BEA  
MUNUFACTURER: Suntech Power  
REMARK: Pmax=85(W)



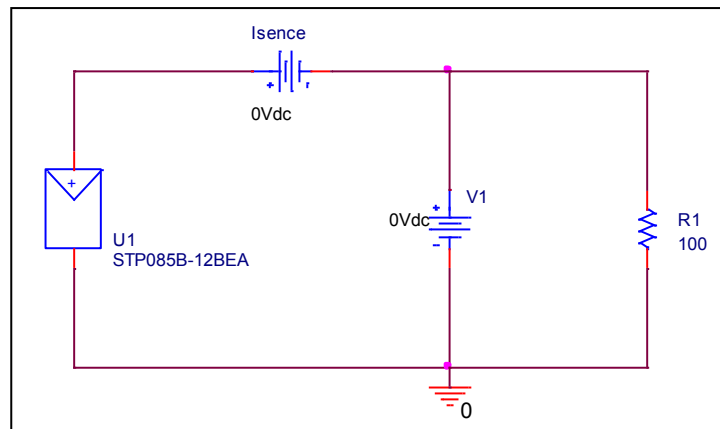
**Bee Technologies Inc.**

# Output Characteristic

## Circuit Simulation Result



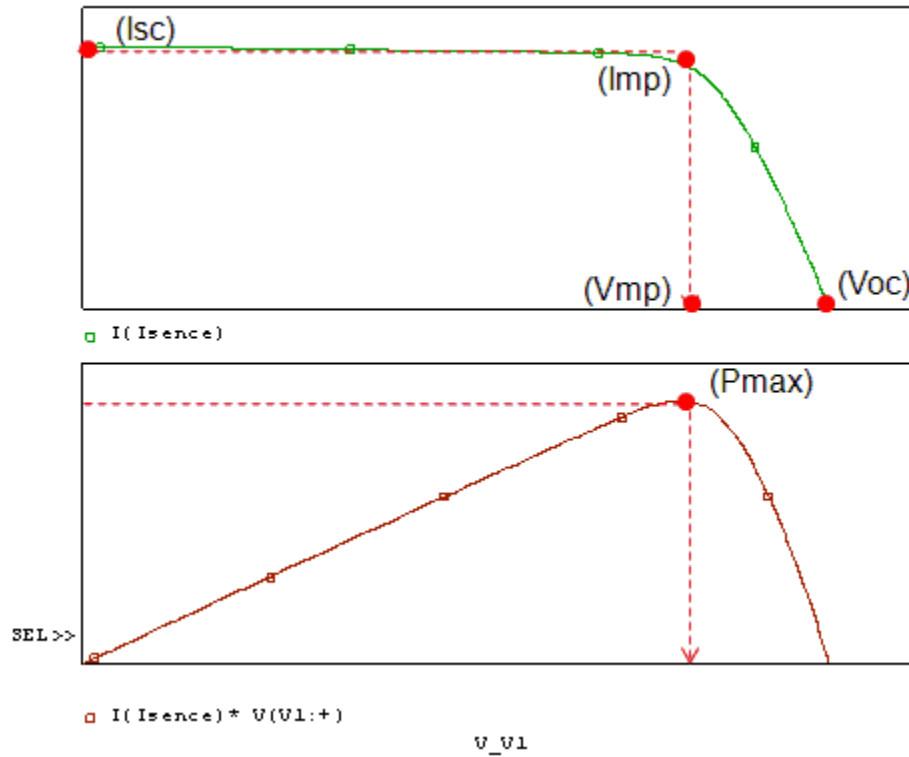
## Simulation Circuit



## Output Characteristic

## Reference

### Circuit Simulation Result



### Data Table

Symbol	Measurement	Simulation	%Error
Pmax	85.000	85.370	0.435
Vmp	17.800	17.790	-0.056
Imp	4.800	4.799	-0.025
Voc	22.200	22.190	-0.045
Isc	5.150	5.150	0.000

## Data Information

---

No.STP085B-12/BEA	
Maximum output (Pmax)	85.000
Maximum power voltage (Vmp)	17.800
Maximum power current (Imp)	4.800
Open circuit voltage (Voc)	22.200
Short circuit current (Isc)	5.150