

Device Modeling Report

COMPONENTS:MAGNETIC CORE
PART NUMBER:3F4
MANUFACTURER:FERROXCUBE



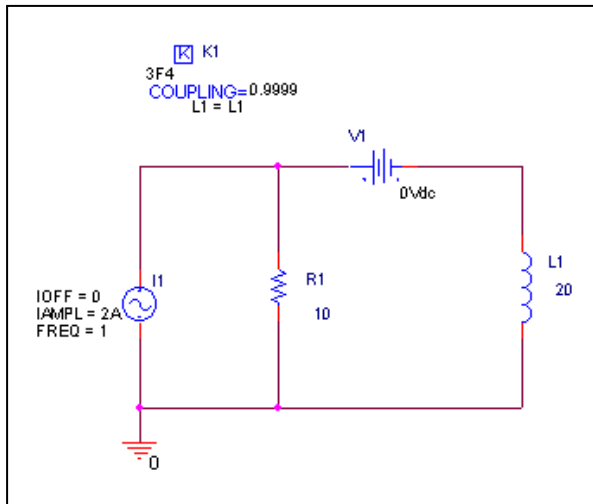
Bee Technologies Inc.

MAGNETIC CORE

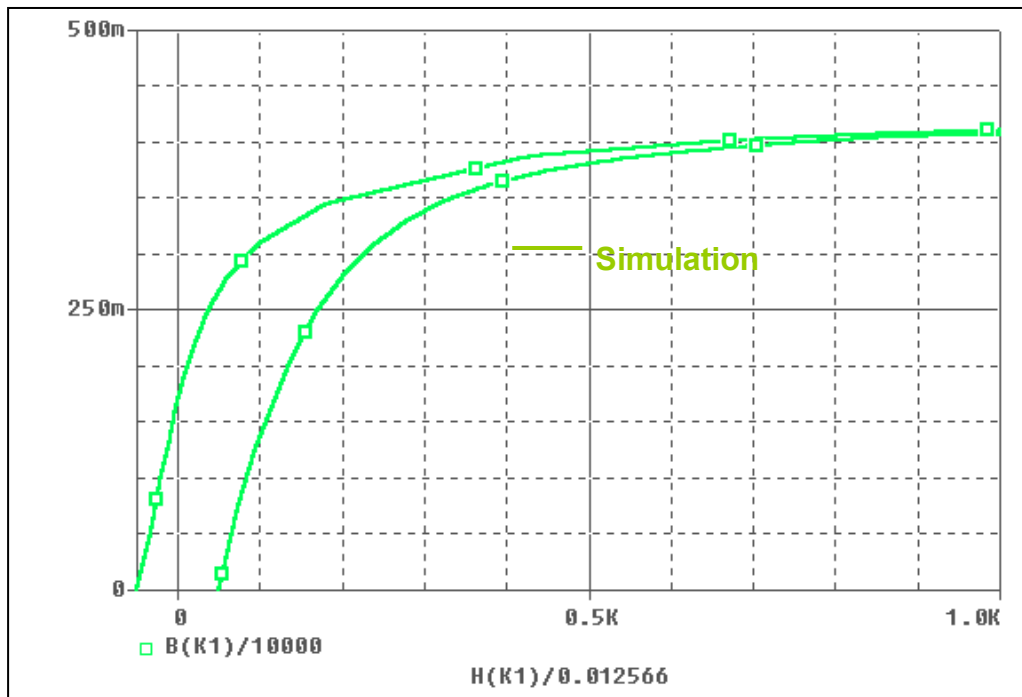
Pspice model parameter	Model description
A	thermal energy parameter
K	domain anisotropy parameter
C	domain flexing parameter
MS	magnetization saturation

Hysteresis Curve Characteristics

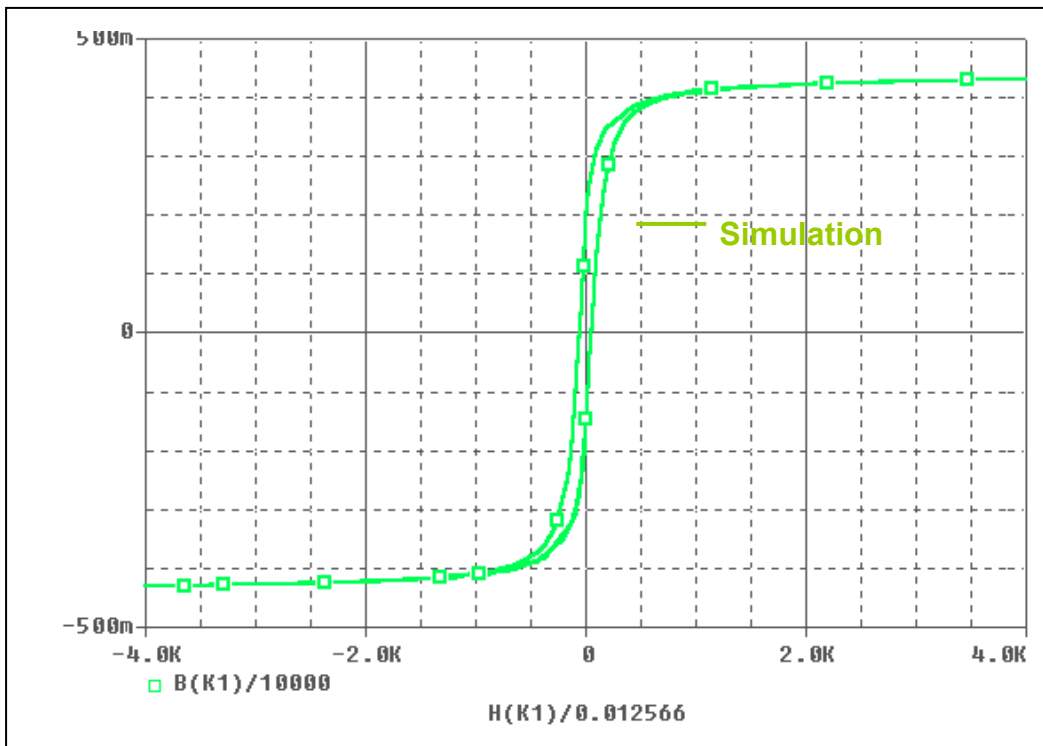
Evaluation Circuit



Simulation result



Simulation result



Comparison Table

H(A/m)	B(mT) Measurement	B(mT) Simulation	%Error
0	160	167.982	4.989
50	255	266.304	4.433
100	300	309.815	3.272
180	350	345.262	1.354
260	370	358.851	3.013
340	385	372.082	3.355
420	390	385.314	1.202
500	395	390.869	1.046
600	400	396.813	0.797
740	400	403.418	0.855
820	405	405.944	0.233
1000	405	410.717	1.412
180	265	260.847	1.567
260	330	320.953	2.742
340	360	351.835	2.268
420	380	369.638	2.727
500	388	380.761	1.866
600	400	389.941	2.515
740	400	398.388	0.403
820	405	402.398	0.642
1000	405	407.849	0.703