

Device Modeling Report

COMPONENTS:MAGNETIC CORE
PART NUMBER:3F35
MANUFACTURER:FERROXCUBE



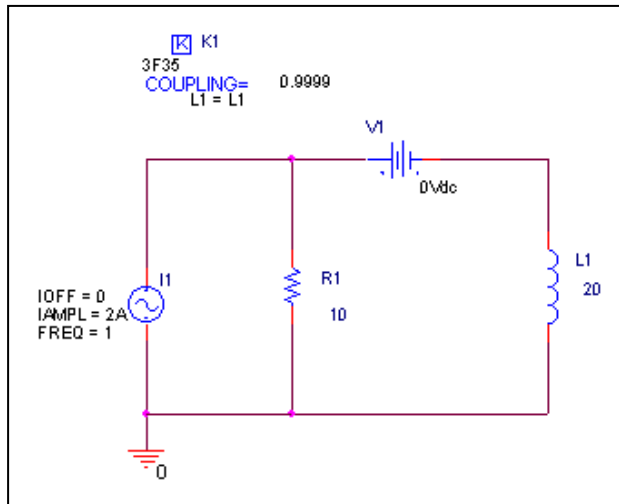
Bee Technologies Inc.

MAGNETIC CORE

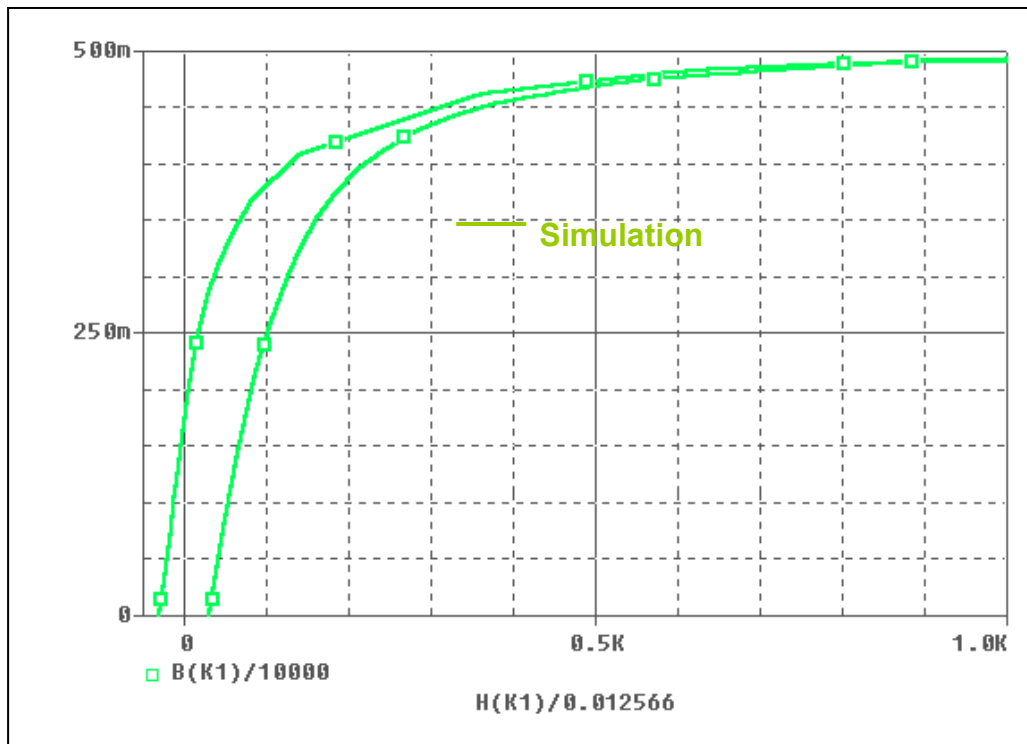
Pspice model parameter	Model description
A	thermal energy parameter
K	domain anisotropy parameter
C	domain flexing parameter
MS	magnetization saturation

Hysteresis Curve Characteristics

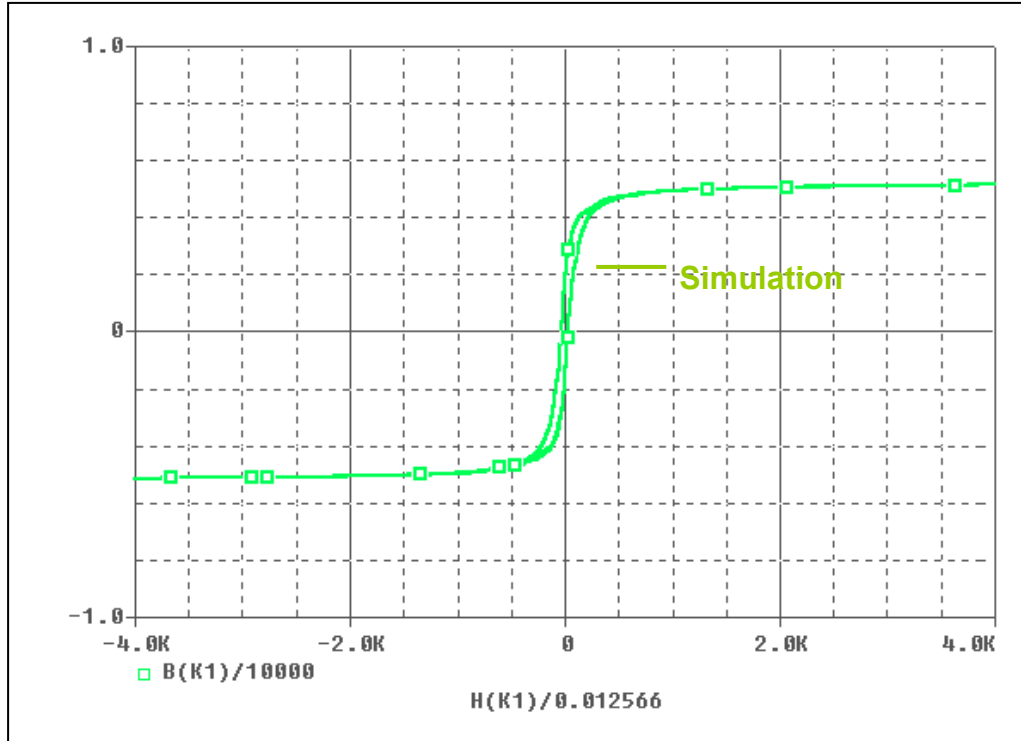
Evaluation Circuit



Simulation result



Simulation result



Comparison Table

H(A/m)	B(mT) Measurement	B(mT) Simulation	%Error
50	330	325.397	1.395
100	400	379.321	5.170
340	455	457.126	0.467
500	475	473.411	0.335
740	494	486.821	1.453
1000	496	494.394	0.324
50	90	88.889	1.234
340	440	444.651	1.057
500	465	468.426	0.737
740	490	483.943	1.236
1000	496	492.636	0.678