

# Device Modeling Report

COMPONENTS:MAGNETIC CORE  
PART NUMBER:3S1  
MANUFACTURER:FERROXCUBE



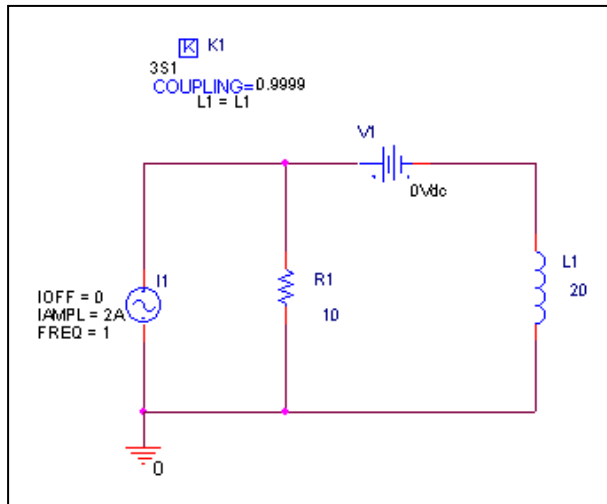
**Bee Technologies Inc.**

## MAGNETIC CORE

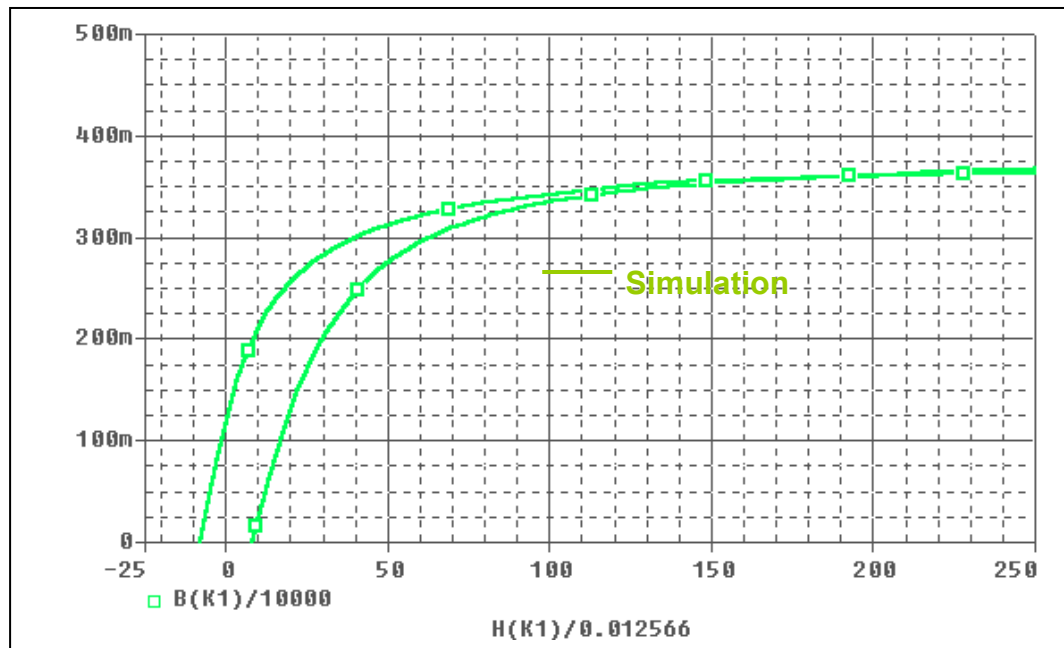
Pspice model parameter	Model description
A	thermal energy parameter
K	domain anisotropy parameter
C	domain flexing parameter
MS	magnetization saturation

# Hysteresis Curve Characteristics

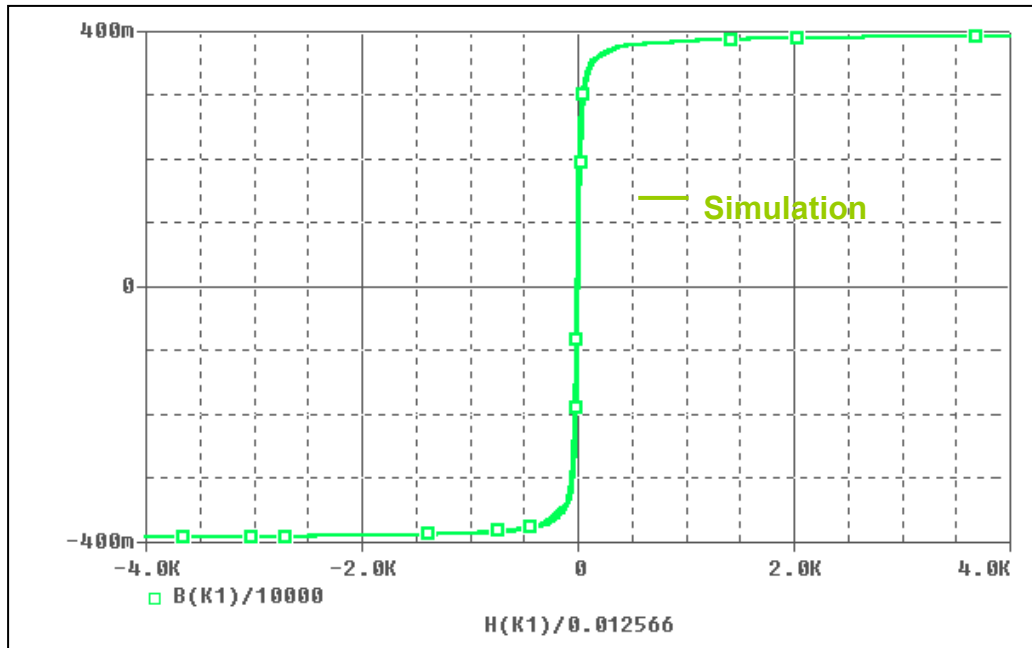
## Evaluation Circuit



## Simulation result



Simulation result



Comparison Table

H(A/m)	B(mT) Measurement	B(mT) Simulation	%Error
50	300	311.694	3.898
75	346	332.058	4.029
100	351	341.681	2.655
125	351	350.925	0.021
150	353	355.332	0.661
175	355	357.611	0.735
200	361	359.79	0.335
250	365	364.297	0.193
50	280	275.365	1.655
100	350	334.325	4.479
125	351	345.666	1.520
150	353	352.866	0.038
175	355	358.132	0.882
200	361	361.962	0.266
250	365	367.578	0.706