

Device Modeling Report

COMPONENTS:MAGNETIC CORE
PART NUMBER:H5B2
MANUFACTURER:TDK



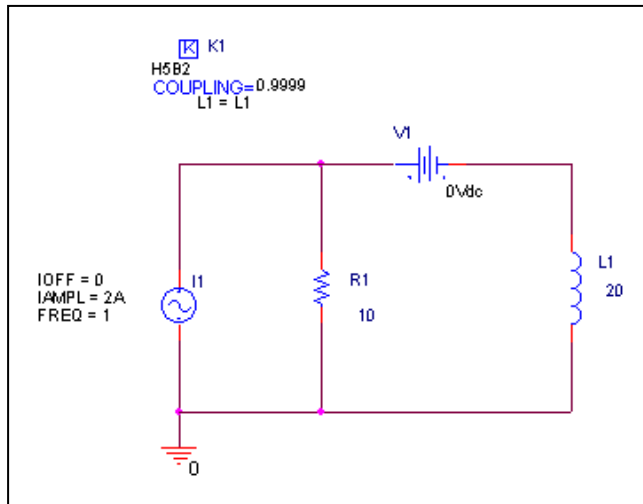
Bee Technologies Inc.

MAGNETIC CORE

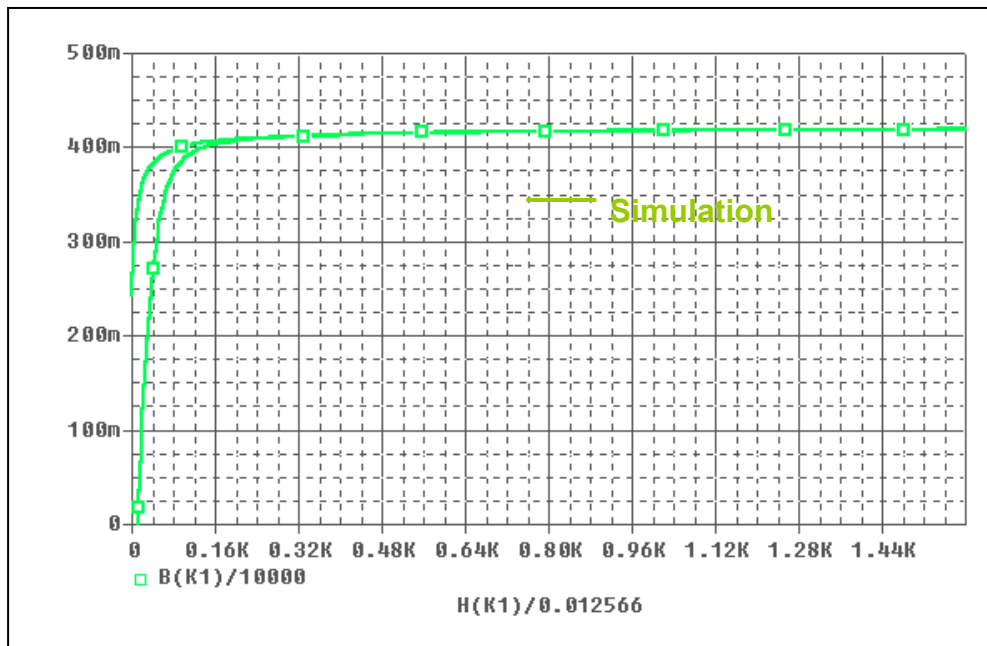
Pspice model parameter	Model description
A	thermal energy parameter
K	domain anisotropy parameter
C	domain flexing parameter
MS	magnetization saturation

Hysteresis Curve Characteristics

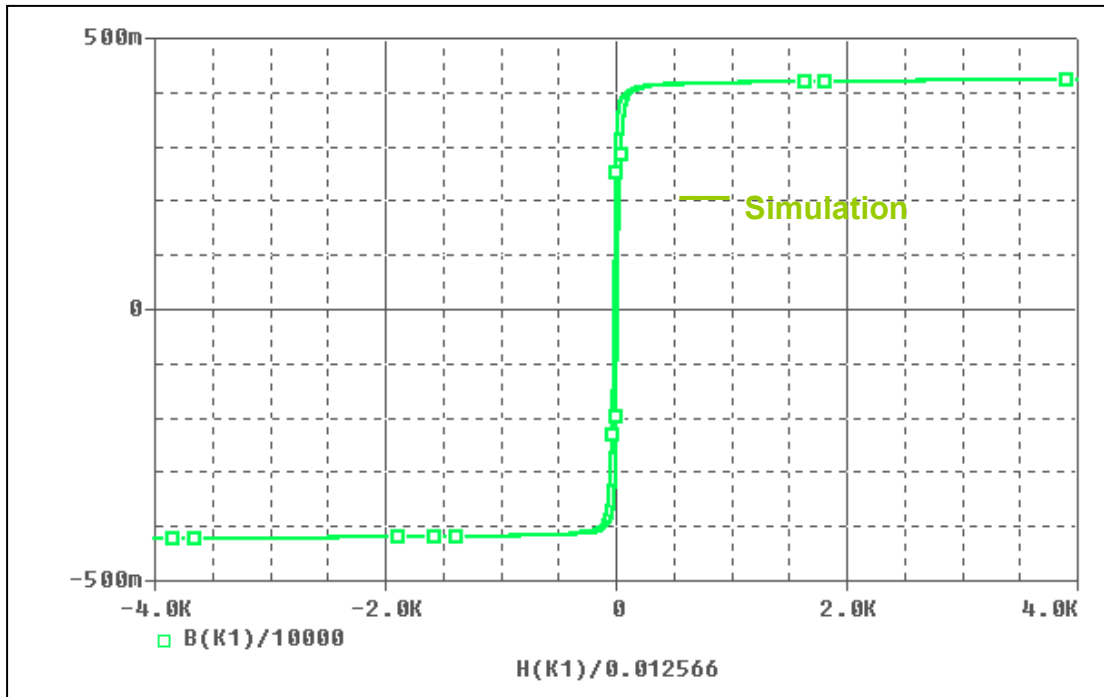
Evaluation Circuit



Simulation result



Simulation result



Comparison Table

H(A/m)	B(mT) Measurement	B(mT) Simulation	%Error
80	400	396.629	0.843
160	412	407.136	1.181
320	415	411.927	0.740
480	415	415.073	0.018
640	415	416.385	0.334
800	417	417.217	0.052
960	418	417.881	0.028
1120	420	418.388	0.384
1280	420	418.817	0.282
1440	420	419.205	0.189
1000	420	419.551	0.107
160	412	403.956	1.952
320	415	412.183	0.679
480	415	414.73	0.065
640	415	416.192	0.287
800	417	417.124	0.030
960	418	417.78	0.053
1120	420	418.33	0.398
1280	420	418.777	0.291
1440	420	419.164	0.199
1000	420	419.52	0.114