

Device Modeling Report

COMPONENTS: TRANSISTOR
PART NUMBER: 2SC5823-TL-E
MANUFACTURER: SANYO



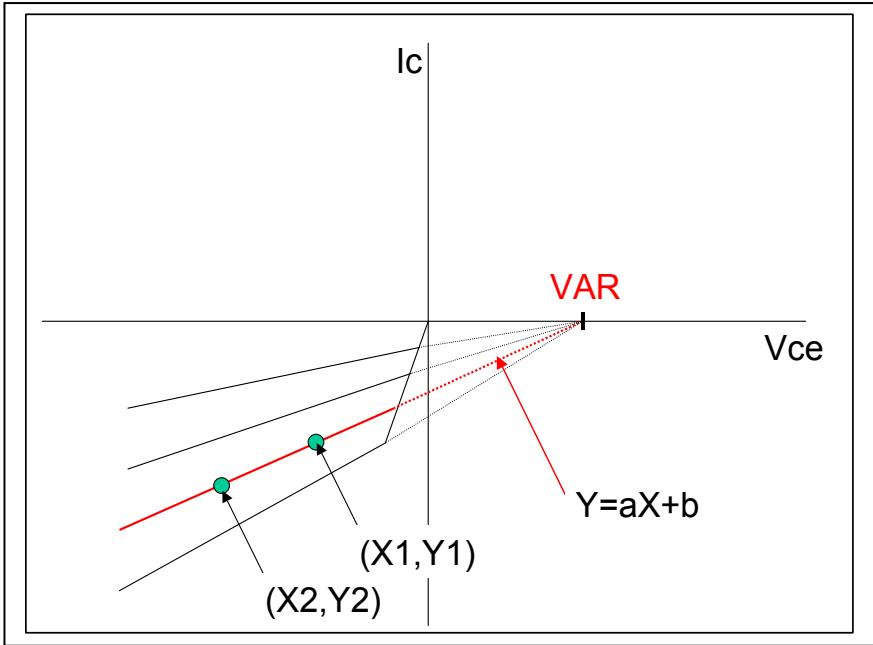
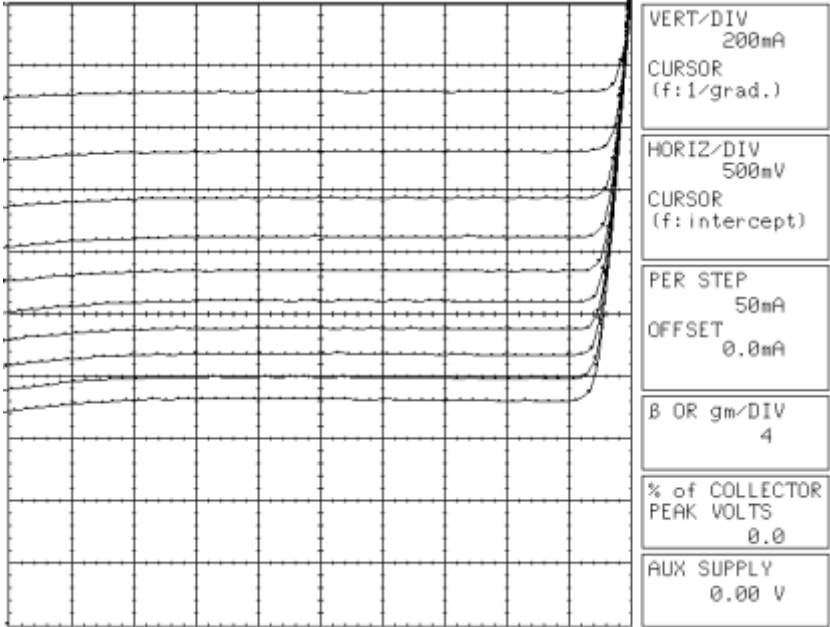
Bee Technologies Inc.

TRANSISTOR MODEL

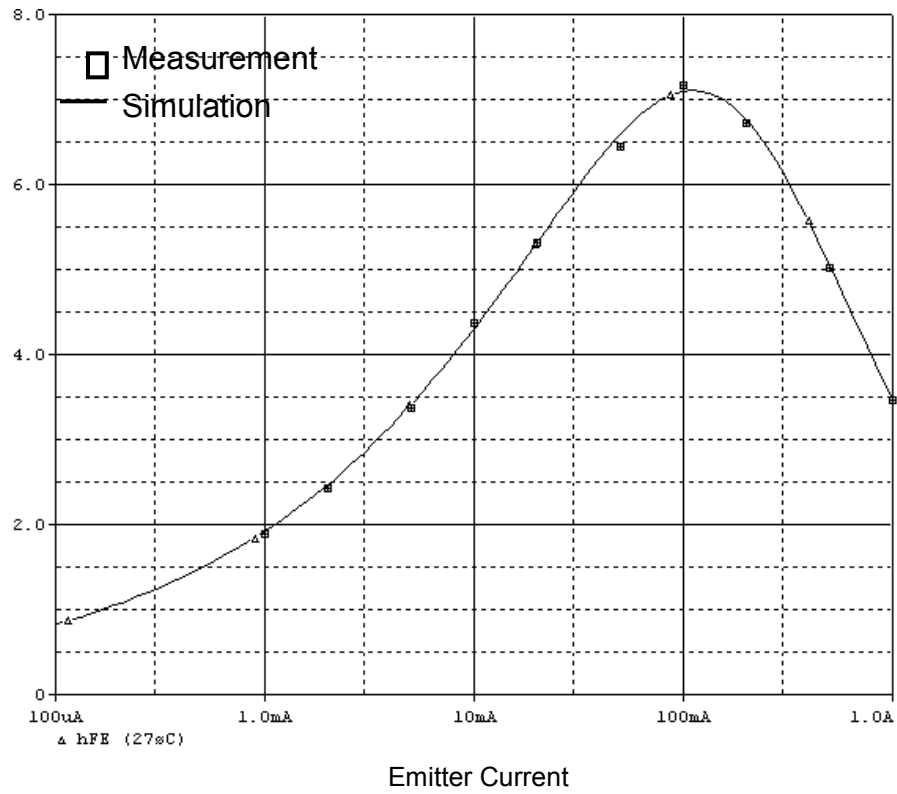
PSpice model parameter	Model description
IS	Saturation Current
BF	Ideal Maximum Forward Beta
NF	Forward Current Emission Coefficient
VAF	Forward Early Voltage
IKF	Forward Beta Roll-off Knee Current
ISE	Non-ideal Base-Emitter Diode Saturation Current
NE	Non-ideal Base-Emitter Diode Emission Coefficient
BR	Ideal Maximum Reverse Beta
NR	Reverse Emission Coefficient
VAR	Reverse Early Voltage
IKR	Reverse Beta Roll-off Knee Current
ISC	Non-ideal Base-Collector Diode Saturation Current
NC	Non-ideal Base-Collector Diode Emission Coefficient
NK	Forward Beta Roll-off Slope Exponent
RE	Emitter Resistance
RB	Base Resistance
RC	Series Collector Resistance
CJE	Zero-bias Emitter-Base Junction Capacitance
VJE	Emitter-Base Junction Potential
MJE	Emitter-Base Junction Grading Coefficient
CJC	Zero-bias Collector-Base Junction Capacitance
VJC	Collector-base Junction Potential
MJC	Collector-base Junction Grading Coefficient
FC	Coefficient for Onset of Forward-bias Depletion Capacitance
TF	Forward Transit Time
XTF	Coefficient for TF Dependency on Vce
VTF	Voltage for TF Dependency on Vce
ITF	Current for TF Dependency on Ic
PTF	Excess Phase at $f=1/2\pi*TF$
TR	Reverse Transit Time
EG	Activation Energy
XTB	Forward Beta Temperature Coefficient
XTI	Temperature Coefficient for IS

Reverse

Reverse Early Voltage Characteristic

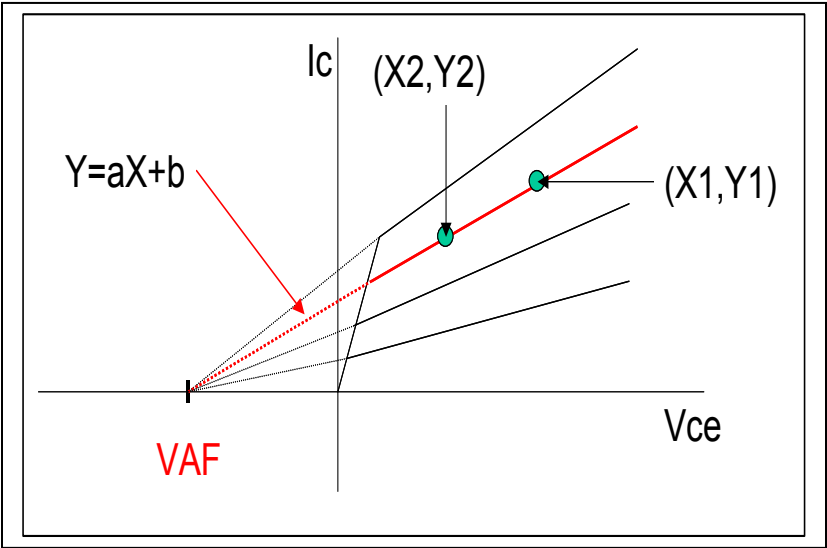
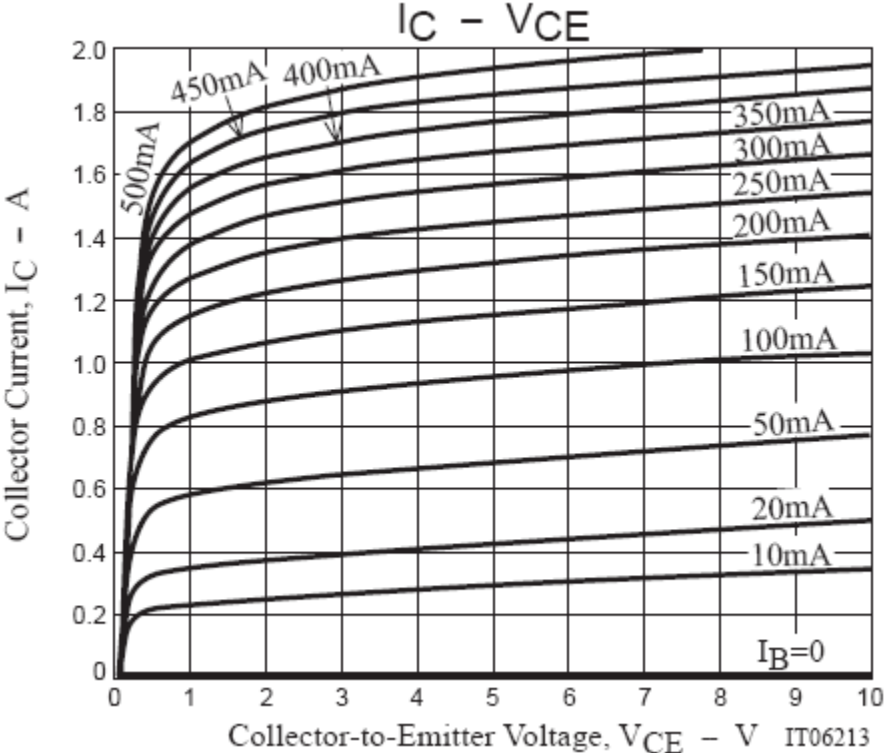


Reverse DC Beta Characteristic (I_e vs. h_{FE})

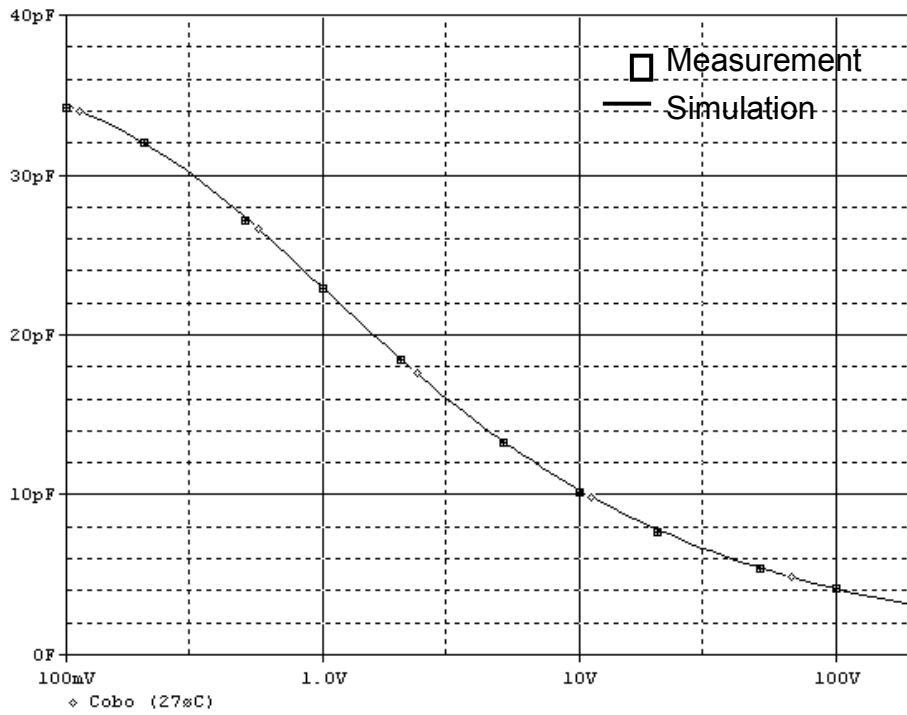


Forward

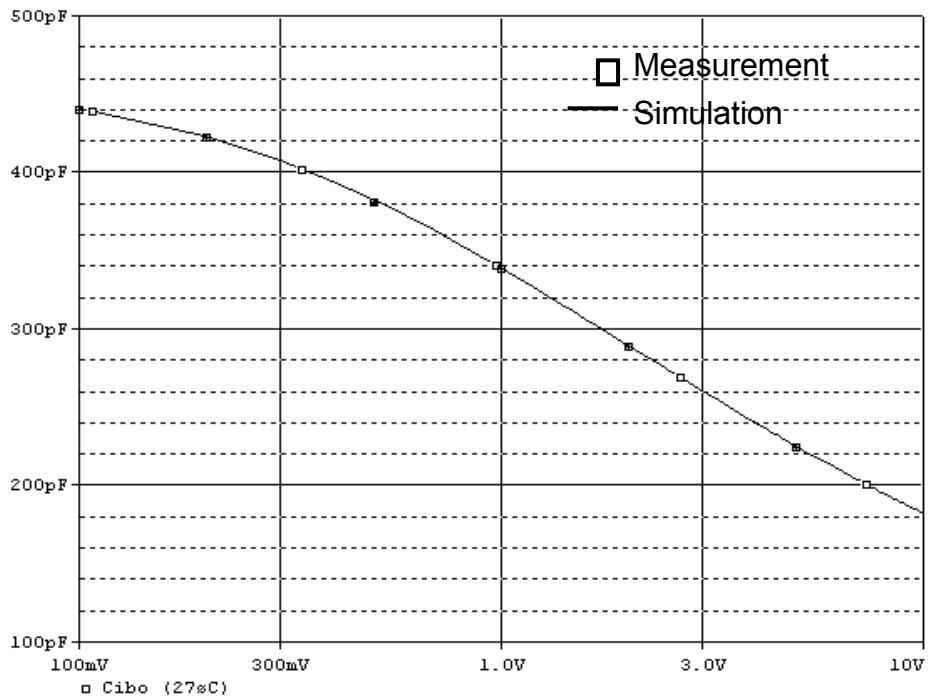
Forward Early Voltage Characteristic



C-B Capacitance Characteristics

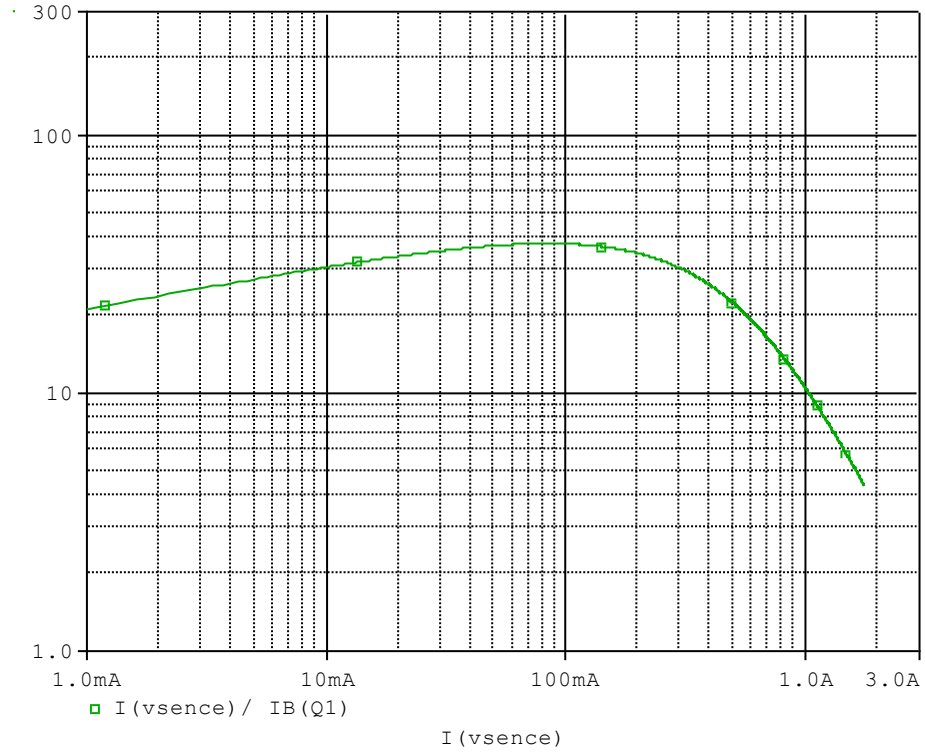


E-B Capacitance Characteristics

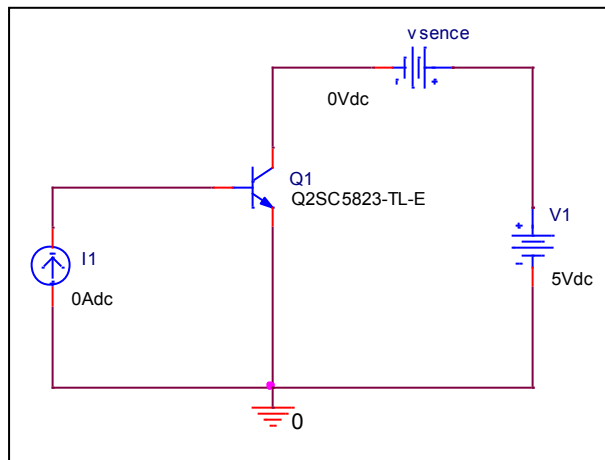


Transistor h_{FE} - I_C Characteristics

Circuit Simulation Result

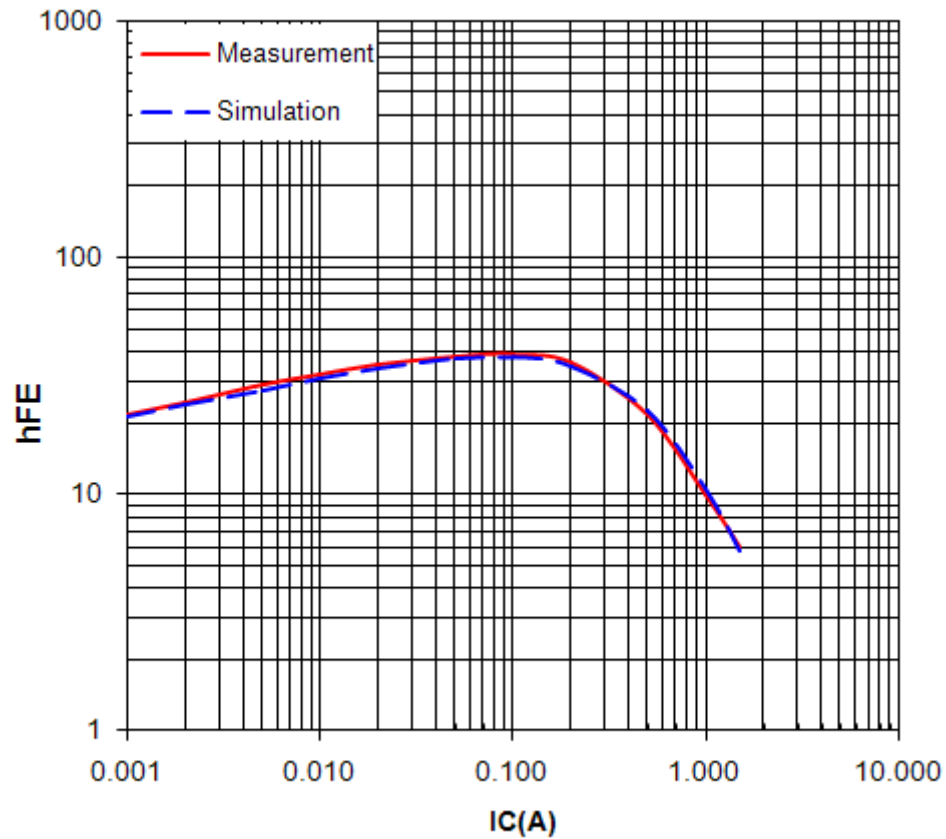


Evaluation Circuit



Comparison Graph

Circuit Simulation Result

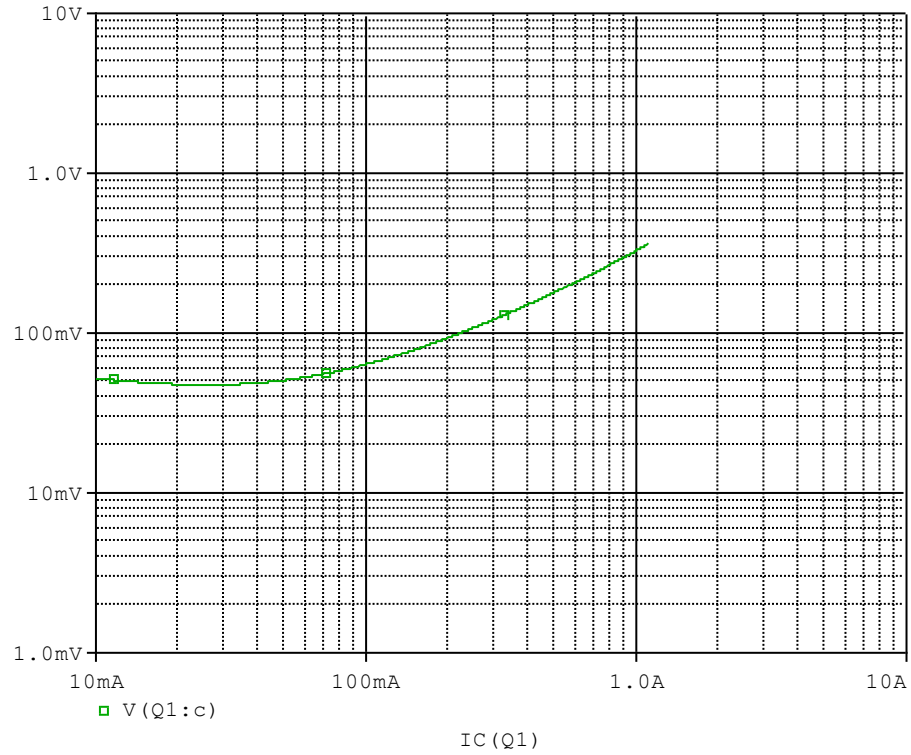


Simulation Result

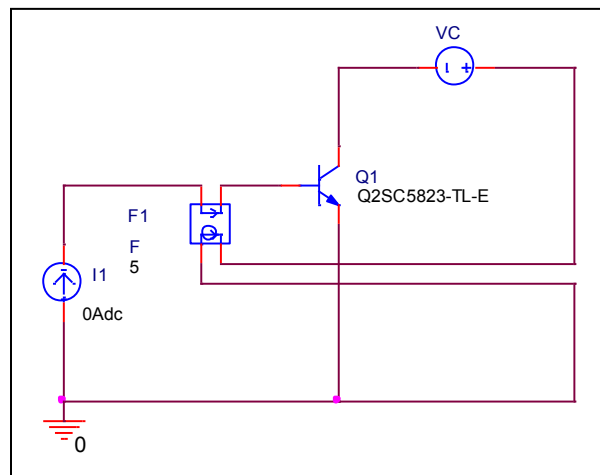
IC(A)	hFE		Error(%)
	Measurement	Simulation	
0.001	21.500	21.077	-1.967
0.002	24.500	23.711	-3.220
0.005	29.000	27.575	-4.914
0.010	32.000	30.709	-4.034
0.020	35.000	33.847	-3.294
0.050	38.000	37.191	-2.129
0.100	39.000	37.837	-2.982
0.200	36.000	34.761	-3.442
0.500	21.500	22.301	3.726
1.000	9.955	10.429	4.761
1.500	5.995	5.699	-4.932

$V_{CE(Sat)}$ - I_C Characteristics

Circuit Simulation Result

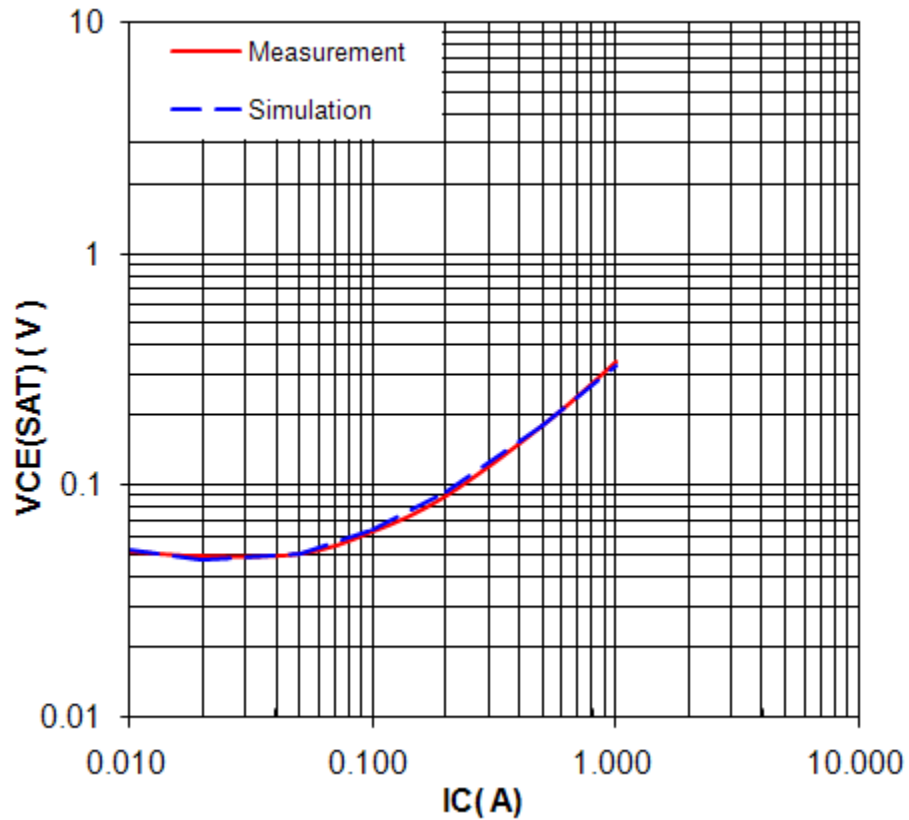


Evaluation Circuit



Comparison Graph

Circuit Simulation Result

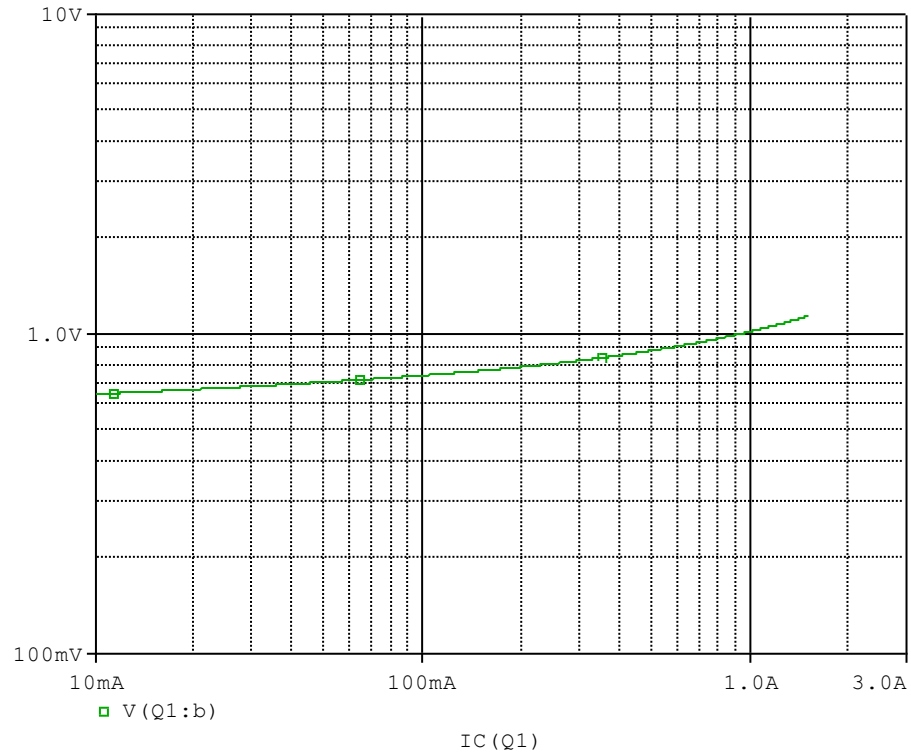


Simulation Result

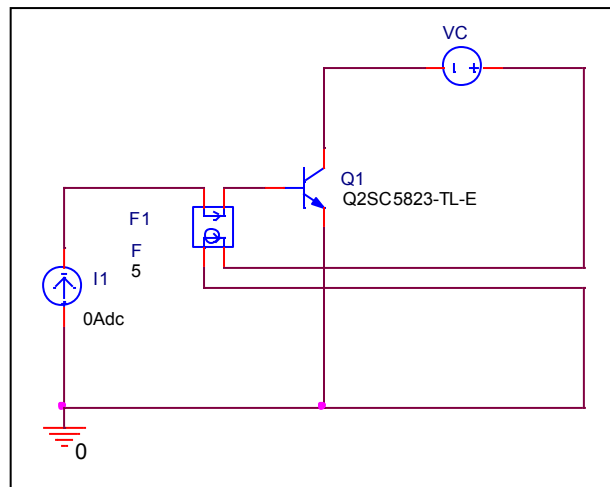
IC(A)	VCE(sat)(V)		Error(%)
	Measurement	Simulation	
0.01000	0.05200	0.05220	0.38269
0.02000	0.05000	0.04784	-4.32200
0.05000	0.05100	0.05075	-0.49216
0.10000	0.06300	0.06381	1.28889
0.20000	0.09000	0.09308	3.42333
0.50000	0.18000	0.18057	0.31500
1.00000	0.34500	0.32858	-4.75826

$V_{BE(Sat)}$ - I_C Characteristics

Circuit Simulation Result

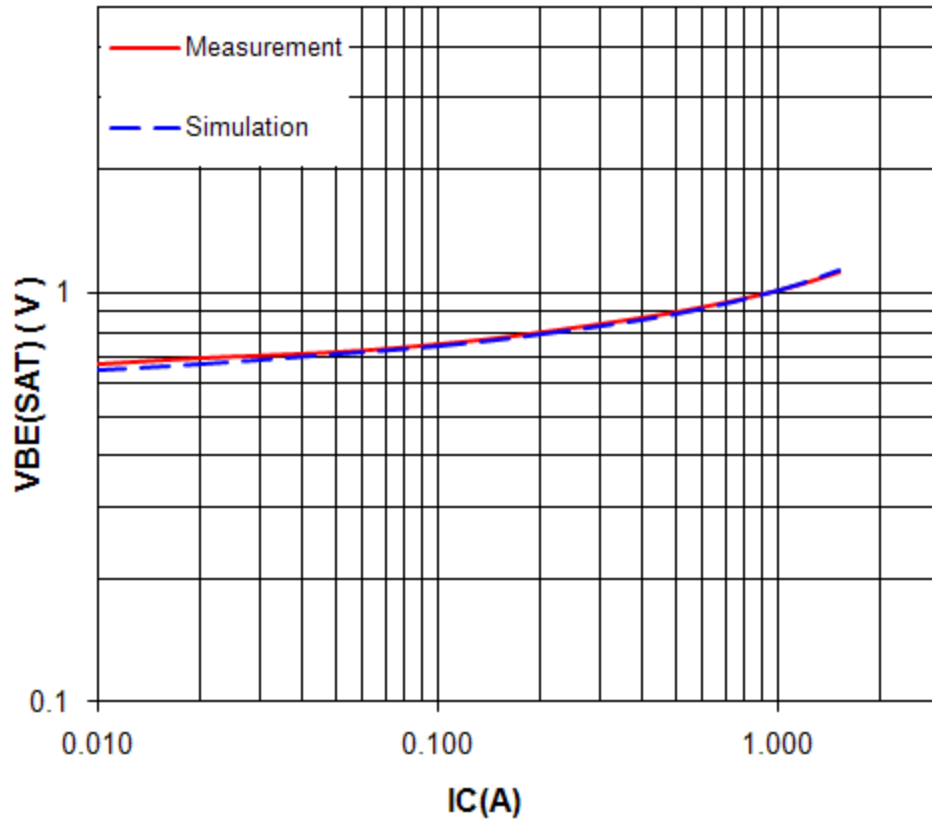


Evaluation Circuit



Comparison Graph

Circuit Simulation Result

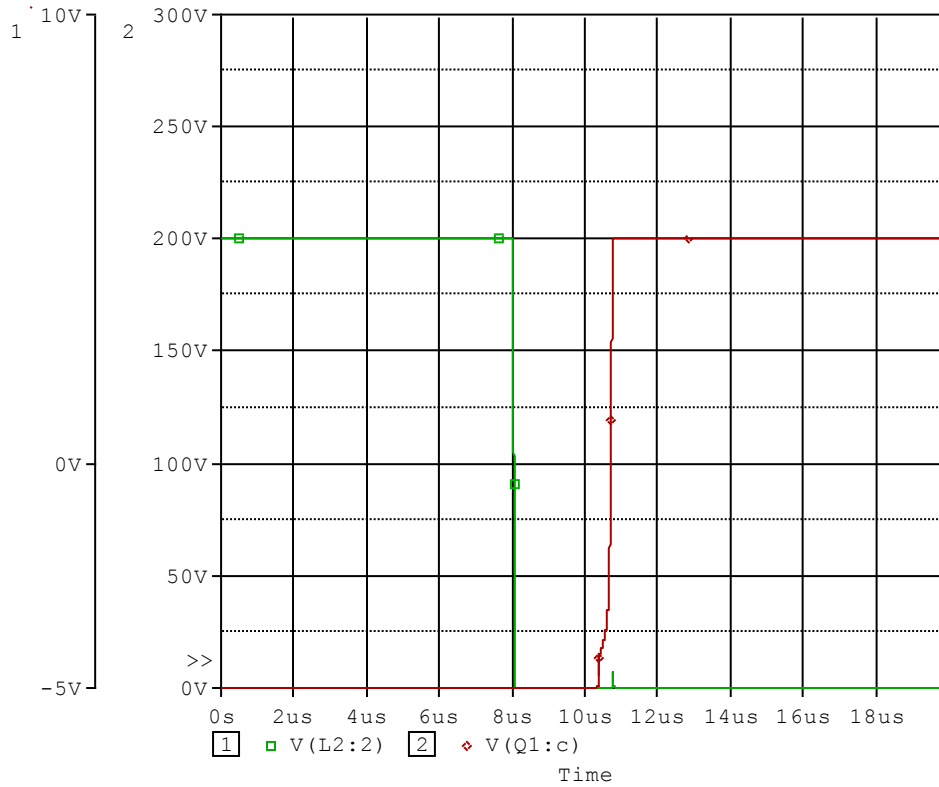


Simulation Result

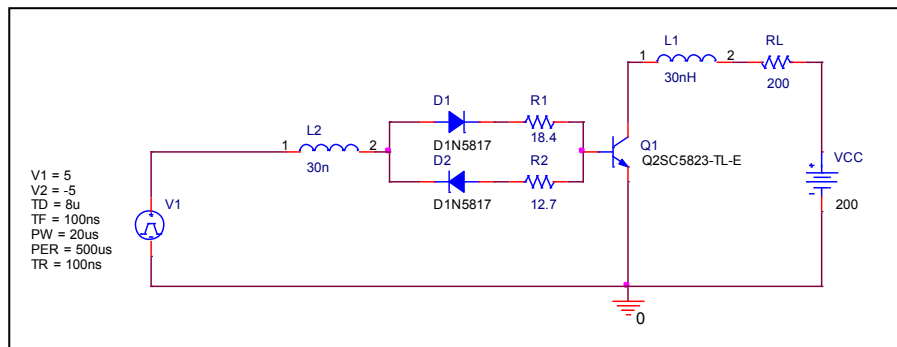
IC(A)	VBE(sat)(V)		Error(%)
	Measurement	Simulation	
0.01000	0.670	0.649	-3.203
0.02000	0.695	0.671	-3.383
0.05000	0.720	0.707	-1.762
0.10000	0.750	0.742	-1.057
0.20000	0.800	0.789	-1.386
0.50000	0.900	0.888	-1.385
1.00000	1.020	1.019	-0.118
1.50000	1.130	1.137	0.619

Switching Characteristics

Circuit simulation result



Evaluation circuit

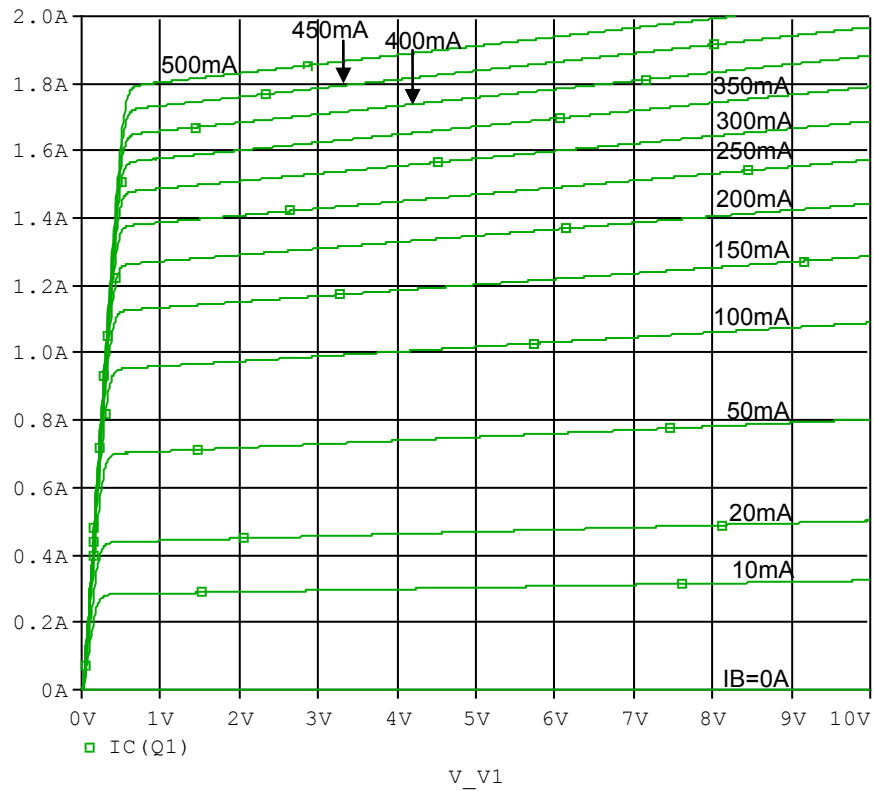


Simulation result

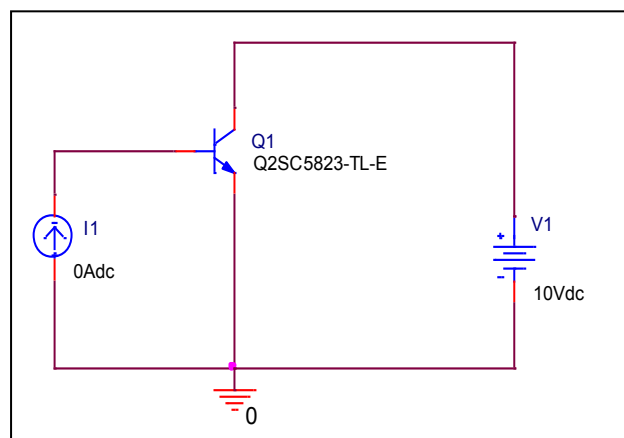
	Measurement	Simulation	%Error
t_f (us)	0.2500	0.2495	-0.1836
t_{stg} (us)	2.5000	2.5006	0.0240

Output Characteristics

Circuit Simulation Result



Evaluation Circuit



Output Characteristics

Reference

