

Device Modeling Report

COMPONENTS: LASER DIODE
PART NUMBER: ML120G14
MANUFACTURER: MITSUBISHI

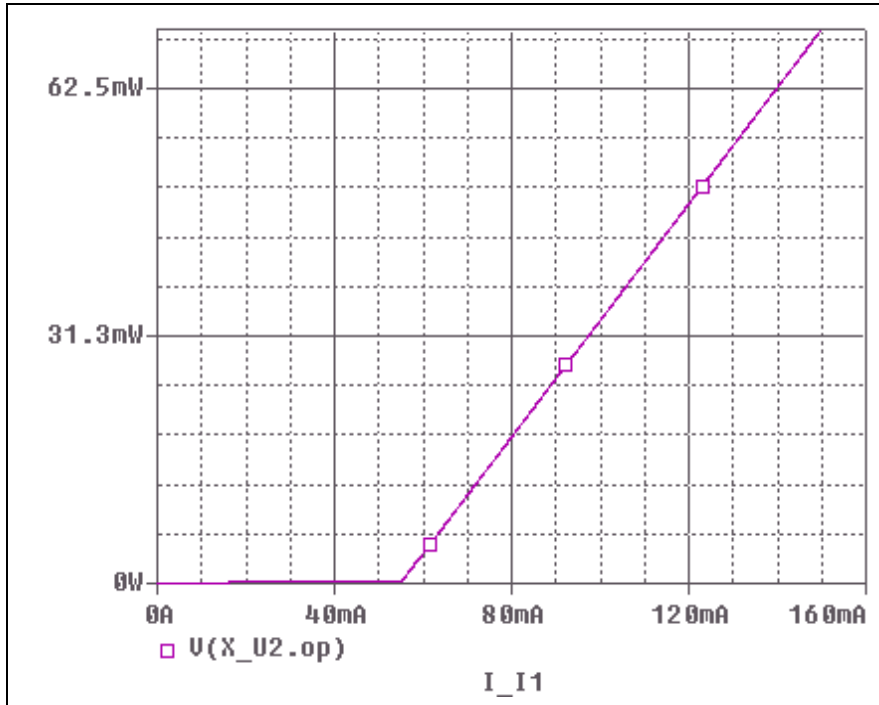


Bee Technologies Inc.

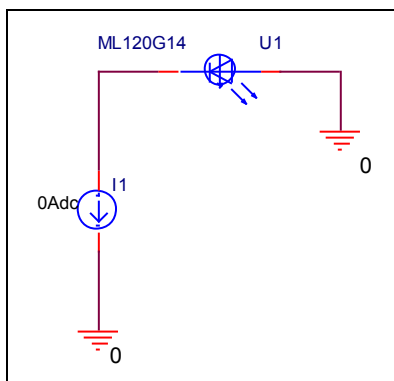
PSpice model parameter	Model description
IS	Saturation Current
N	Emission Coefficient
RS	Series Resistance
IKF	High-injection Knee Current
CJO	Zero-bias Junction Capacitance
M	Junction Grading Coefficient
VJ	Junction Potential
ISR	Recombination Current Saturation Value
BV	Reverse Breakdown Voltage(a positive value)
IBV	Reverse Breakdown Current(a positive value)
TT	Transit Time

Optical Output Power vs. Forward current characteristics

Circuit simulation result

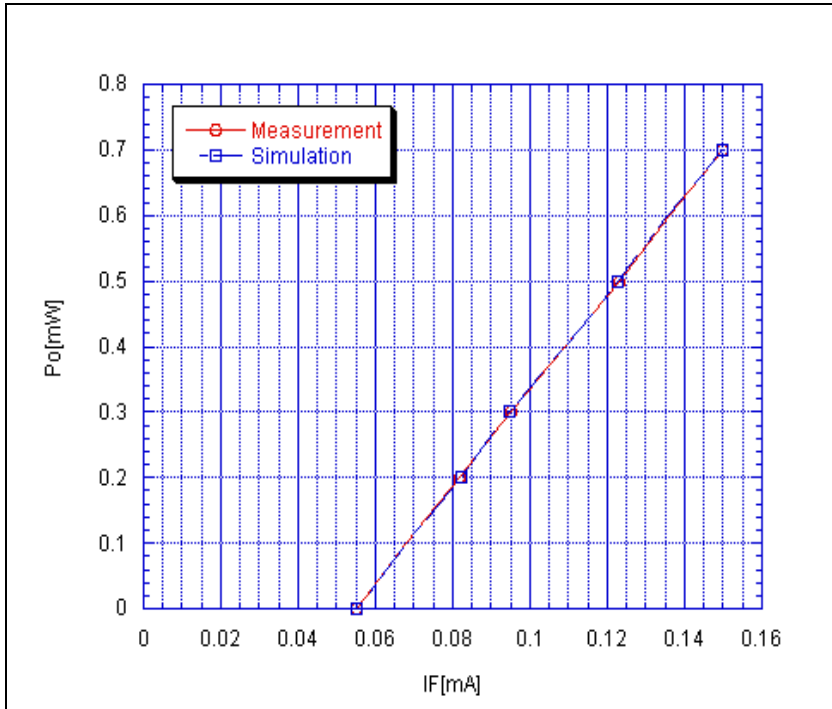


Evaluation circuit



Comparison graph

Circuit simulation result



Simulation Result

Po[mW]	IF[mA]		Error (%)
	Measurement	Simulation	
0	0.055	0.055	0
0.1	0.068	0.0679	0.14705
0.2	0.082	0.0822	0.24390
0.3	0.095	0.0949	0.10526
0.4	0.109	0.1088	0.18348
0.5	0.123	0.1227	0.24390
0.6	0.136	0.1357	0.22058
0.7	0.15	0.15	0