

Device Modeling Report

COMPONENTS: Junction Field Effect Transistor (JFET)
PART NUMBER: SST271
MANUFACTURER: Vishay Siliconix

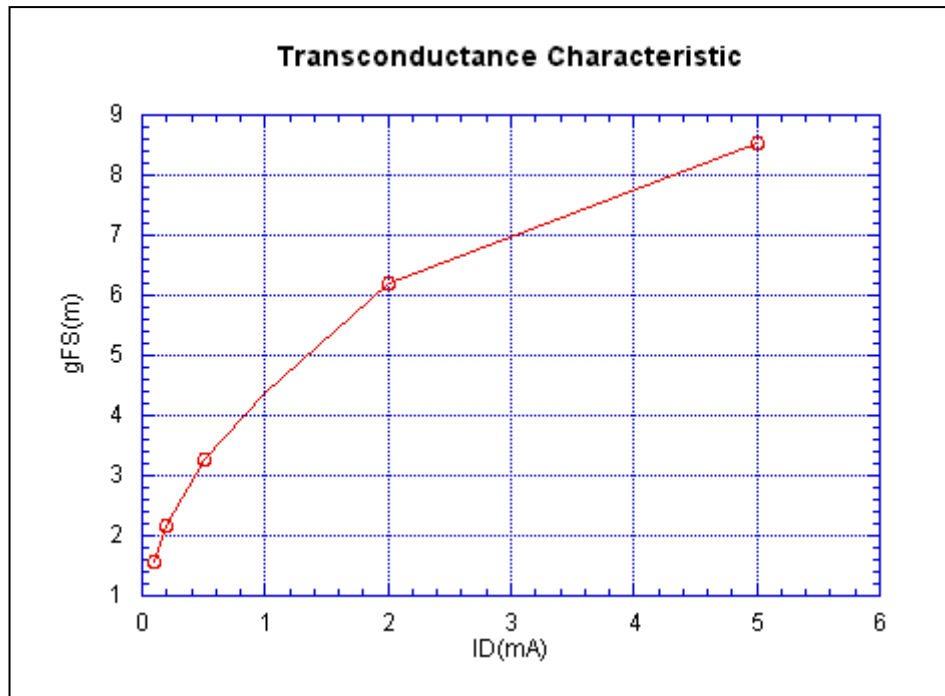


Bee Technologies Inc.

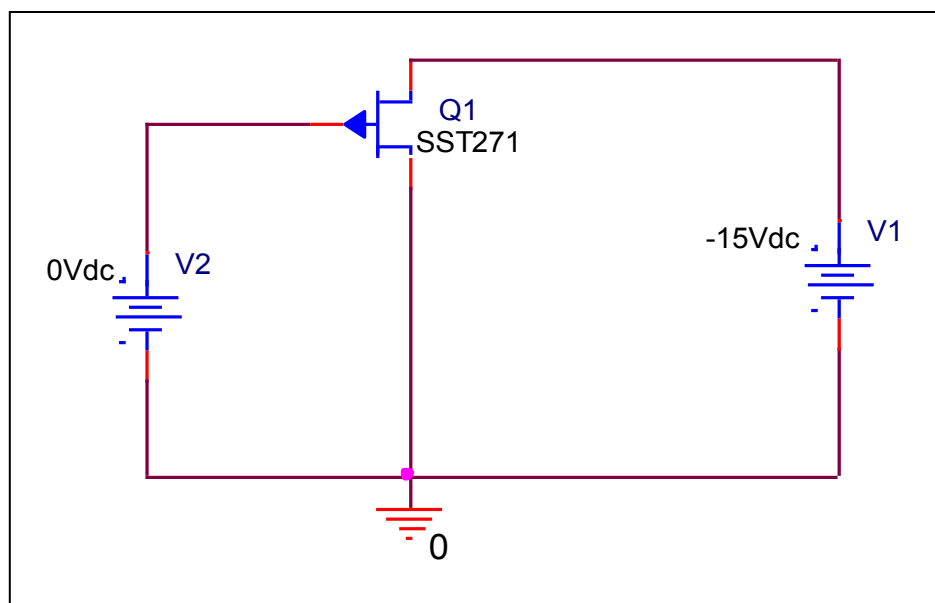
PSpice model parameter	Model description
BETA	Transconductance coefficient
RD	Drain resistance
RS	Source resistance
BETATCE	Temperature coefficient for BETA
LAMBDA	Channel-length modulation
VTO	Threshold voltage
VTOTC	Temperature coefficient for VTO
CGD	Zero-bias gate-drain capacitance
M	Junction grading factor
PB	Built-in potential
FC	Forward-bias coefficient
CGS	Zero-bias gate-source capacitance
ISR	Recombination current saturation value
NR	Recombination current emission coefficient
IS	Junction saturation current
N	Junction emission coefficient
XTI	IS temperature coefficient
ALPHA	Impact ionization coefficient
VK	Ionization "knee" voltage
KF	Flicker noise coefficient
AF	Flicker noise exponent

Transconductance Characteristic

Circuit Simulation Result

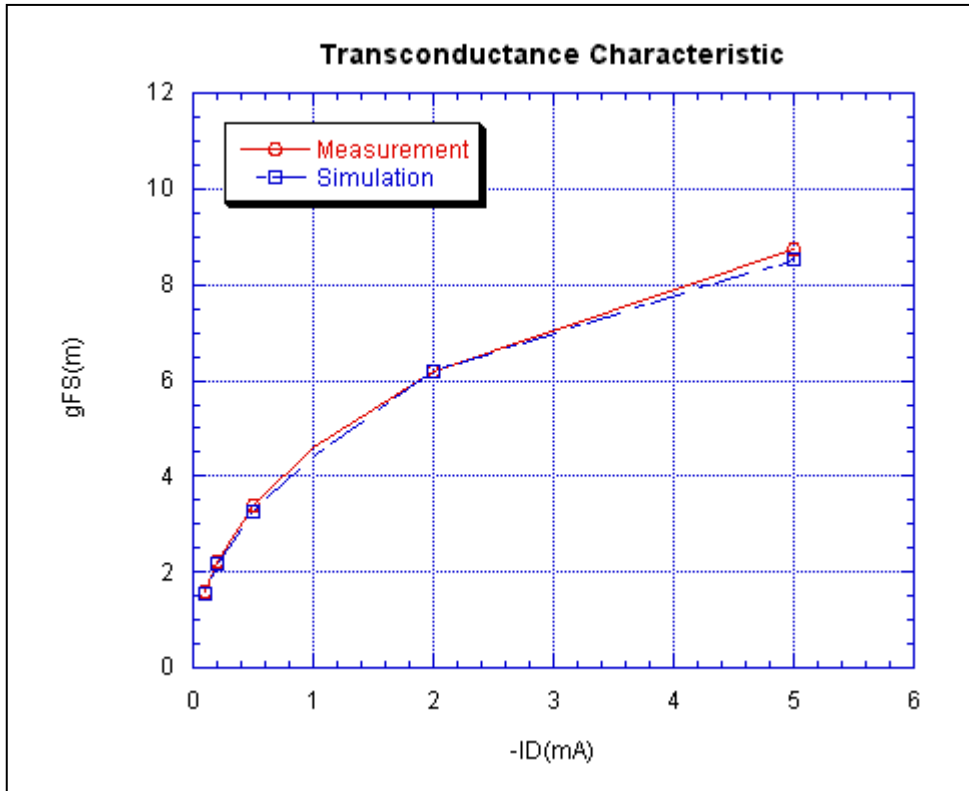


Evaluation Circuit



Comparison Graph

Circuit Simulation Result

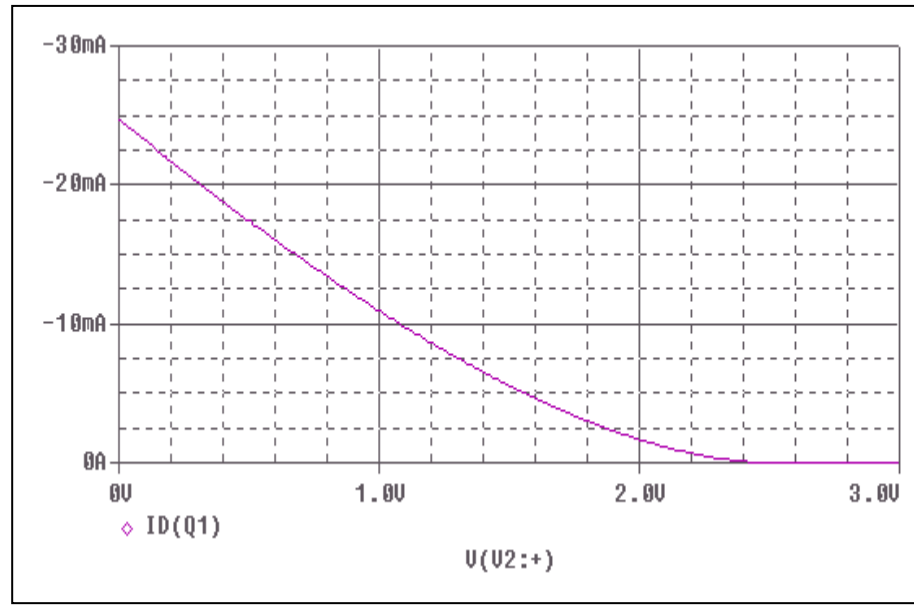


Comparison table

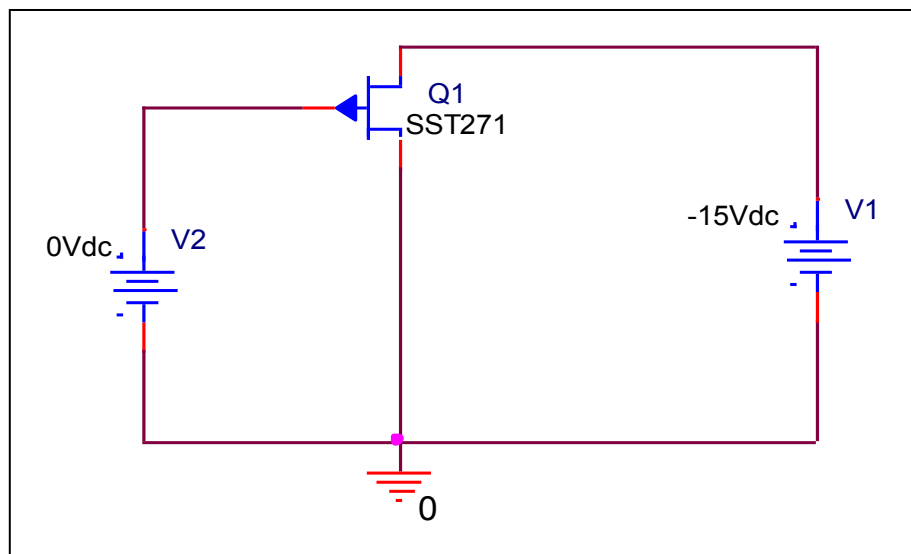
Id(mA)	Vgs(V)		Error (%)
	Measurement	Simulation	
0.1	1.6	1.56	2.5
0.2	2.2	2.17	1.363
0.5	3.4	3.26	4.11
1	4.6	4.38	4.782
2	6.2	6.21	0.161
5	8.75	8.53	1.514

Transfer Curve Characteristic

Circuit Simulation Result

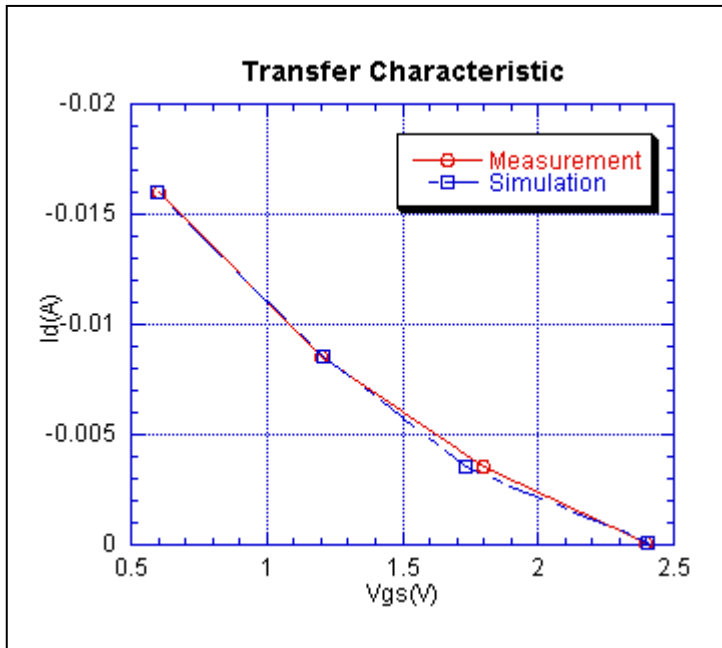


Evaluation Circuit



Comparison Graph

Circuit Simulation Result

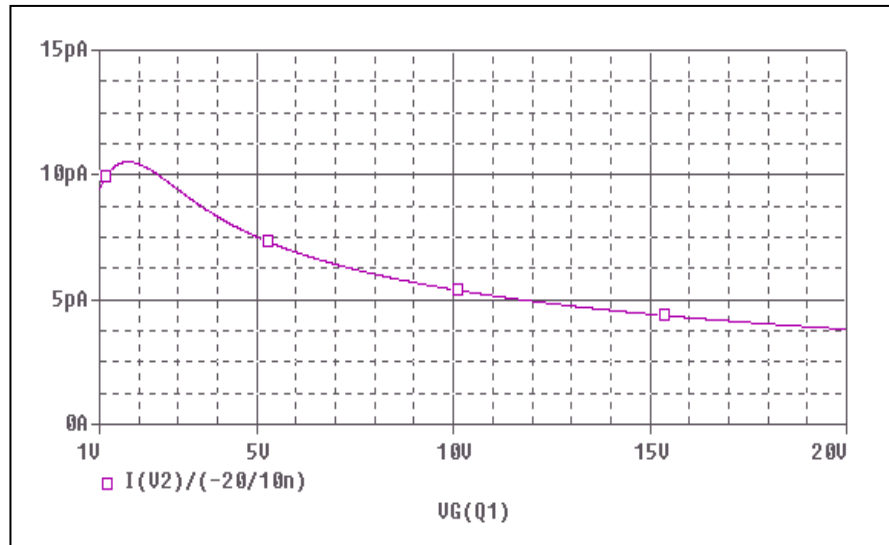


Comparison table

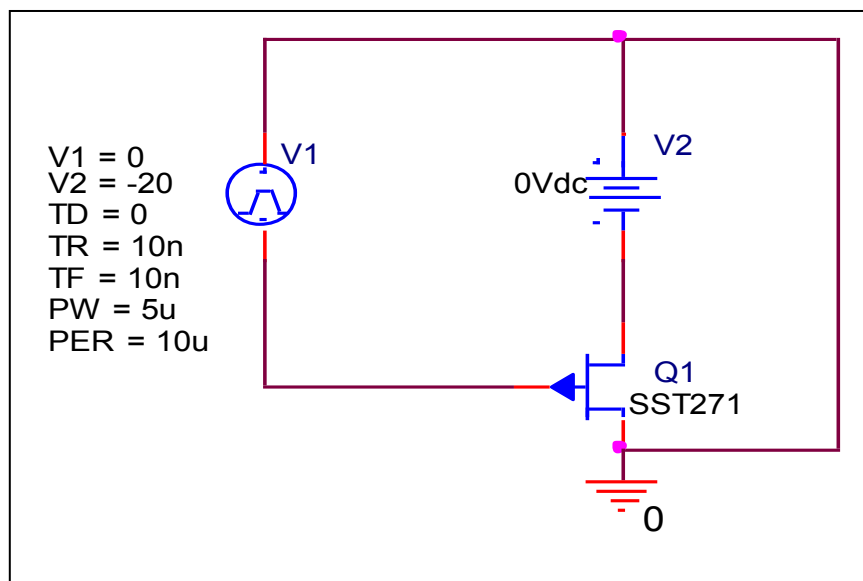
I_d (A)	V_{gs} (V)		Error (%)
	Measurement	Simulation	
-0.016	0.6	0.598	0.33
-0.0085	1.2	1.209	0.75
-0.0035	1.8	1.734	3.66
-0.0001	2.4	2.401	0.041

Reverse Transfer Capacitance

Circuit Simulation Result

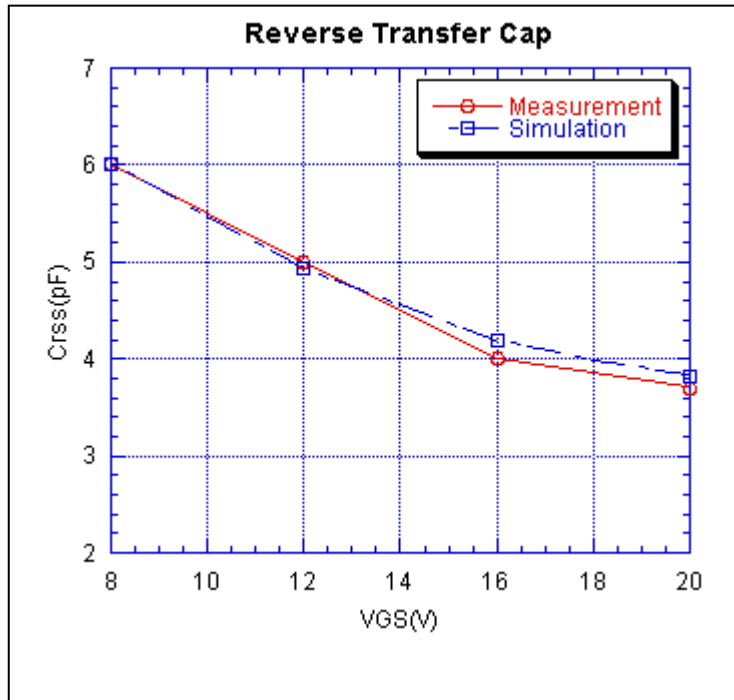


Evaluation Circuit



Comparison Graph

Circuit Simulation Result

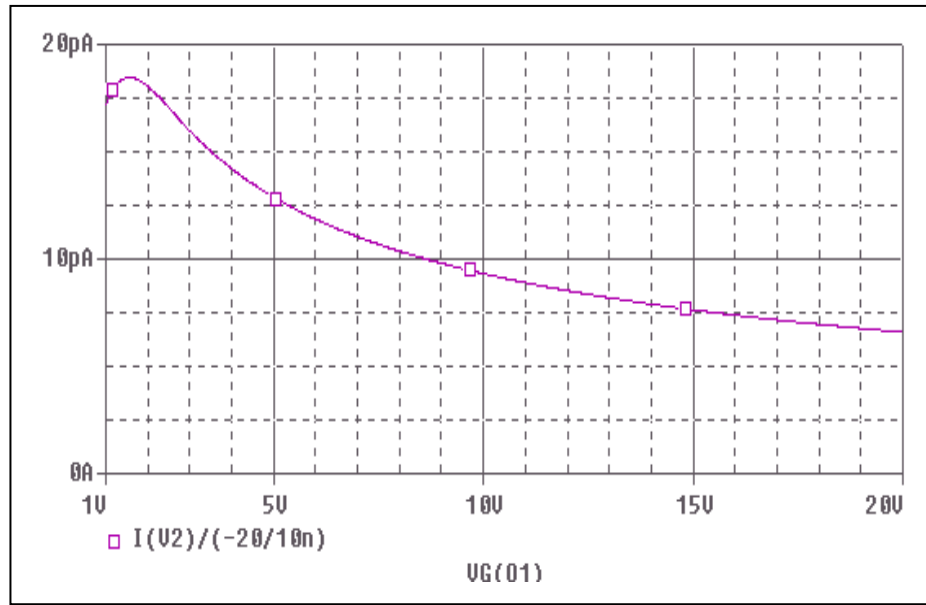


Comparison table

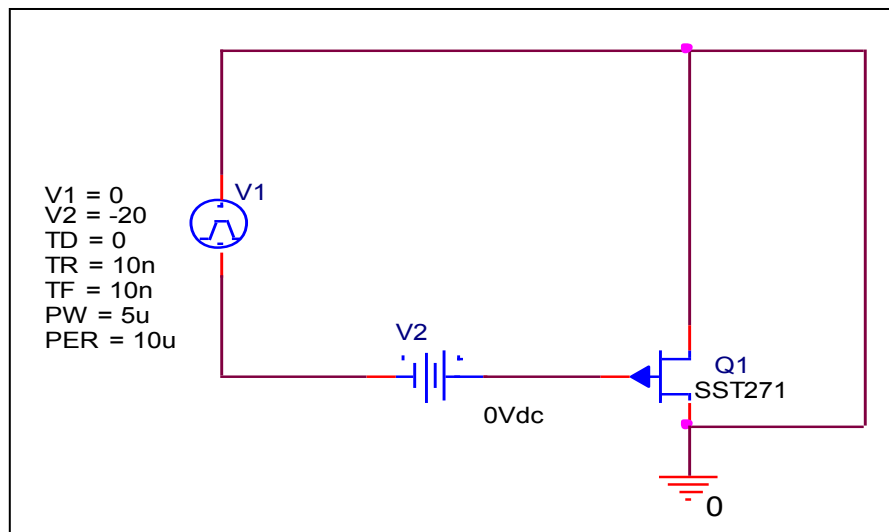
VGS (V)	Crss (pF)		Error (%)
	Measurement	Simulation	
8	6	6.015	0.25
12	5	4.94	1.2
16	4	4.2	5
20	3.7	3.81	2.97

Input Capacitance

Circuit Simulation Result

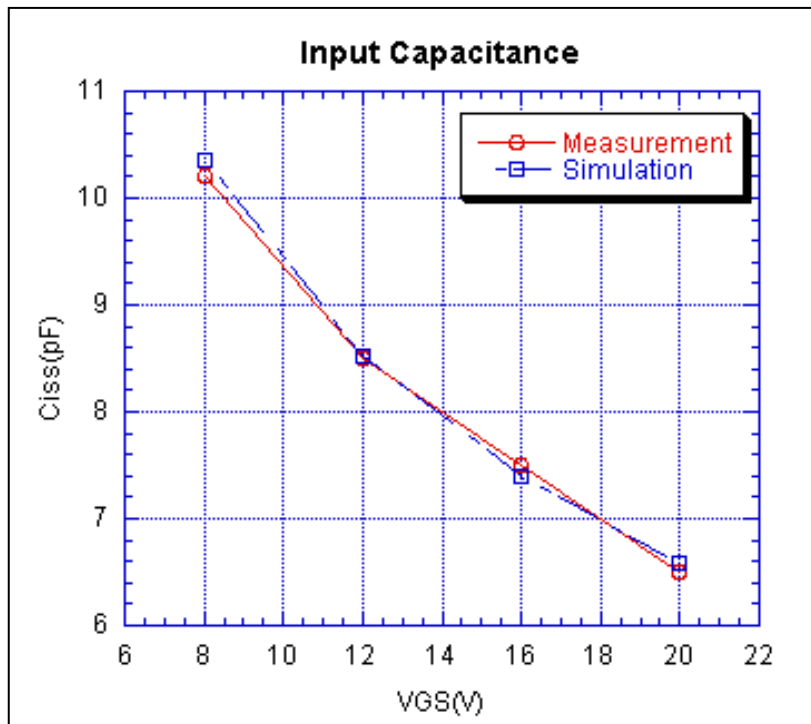


Evaluation Circuit



Comparison Graph

Circuit Simulation Result

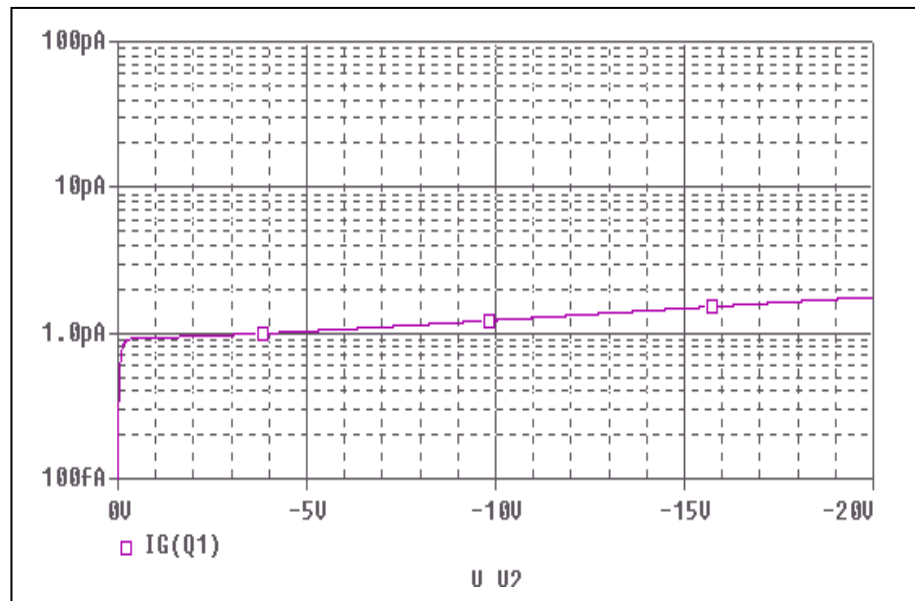


Simulation Result

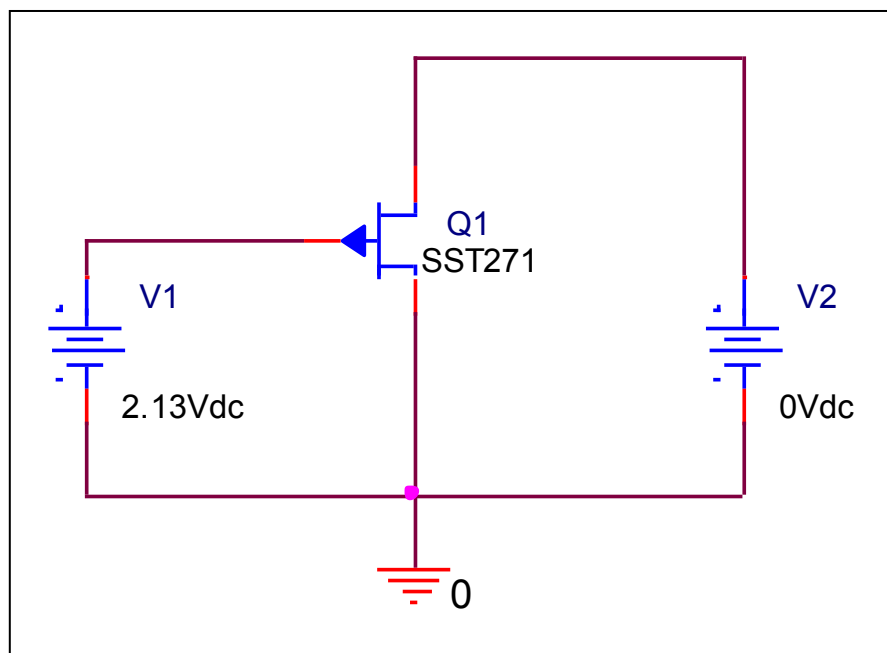
VGS (V)	Ciss (pF)		Error (%)
	Measurement	Simulation	
8	10.2	10.36	1.56
12	8.5	8.53	0.35
16	7.5	7.4	1.33
20	6.5	6.59	1.38

Passive Gate Leakage

Circuit Simulation Result

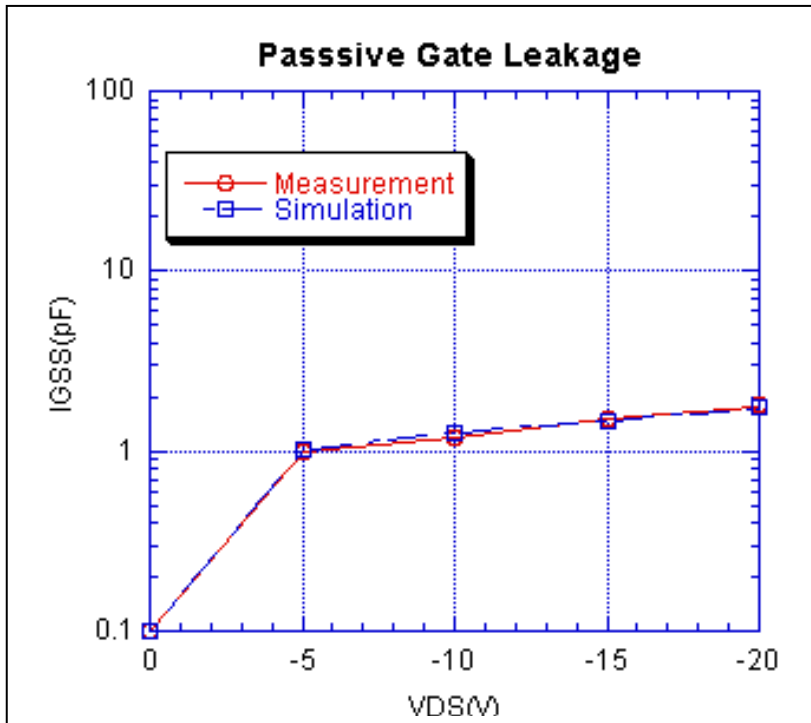


Evaluation Circuit



Comparison Graph

Circuit Simulation Result

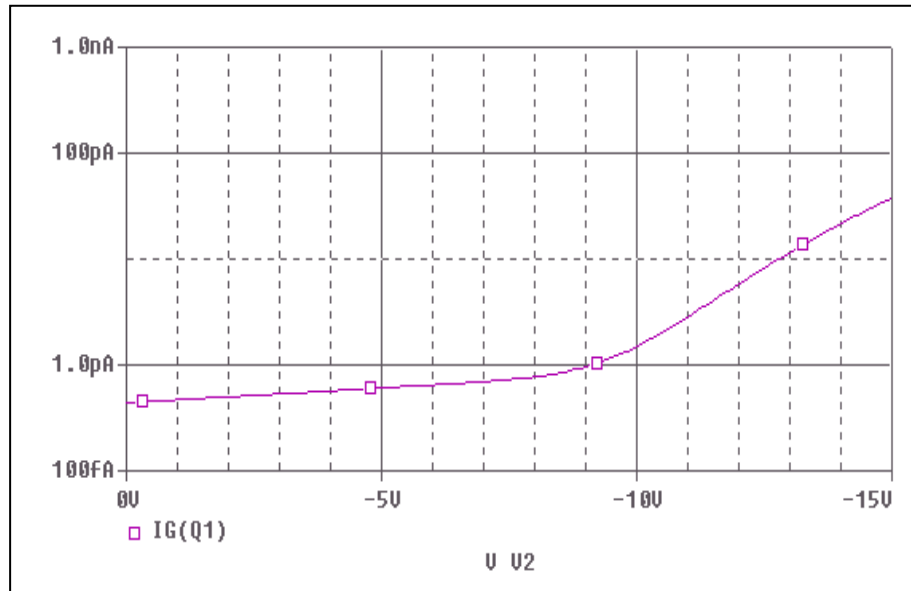


Simulation Result

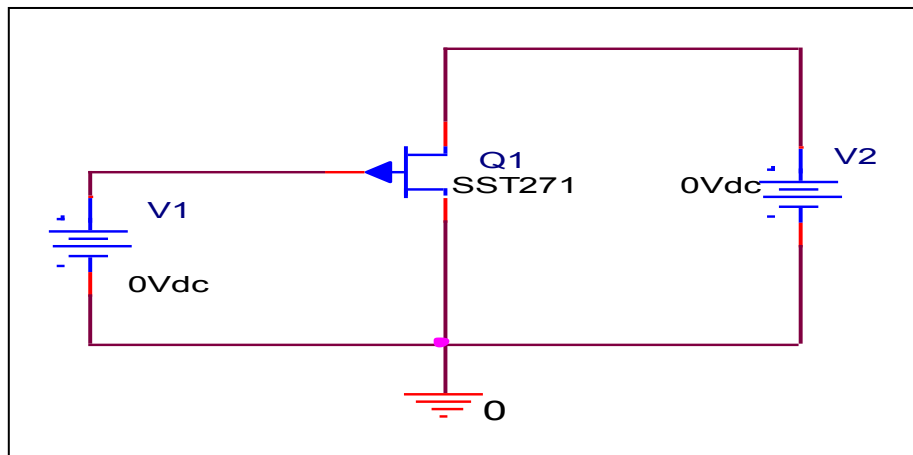
VDS (V)	I _{gss} (pF)		Error (%)
	Measurement	Simulation	
-5	1	1.029	2.9
-10	1.2	1.255	4.58
-15	1.5	1.47	2
-20	1.8	1.76	2.22

Active Gate Leakage

Circuit Simulation Result



Evaluation Circuit



VDG=-15V, ID=1mA (Test Conditions)	IG (pA)		Error (%)
	Measurement	Simulation	
Gate Operating Current(IG)	10	10.077	0.77