

Device Modeling Report

COMPONENTS: CAPACITOR/ Electrolytic
PART NUMBER: RJJ-35V561MI5-T4
MANUFACTURER: ELNA Co.,Ltd.



Bee Technologies Inc.

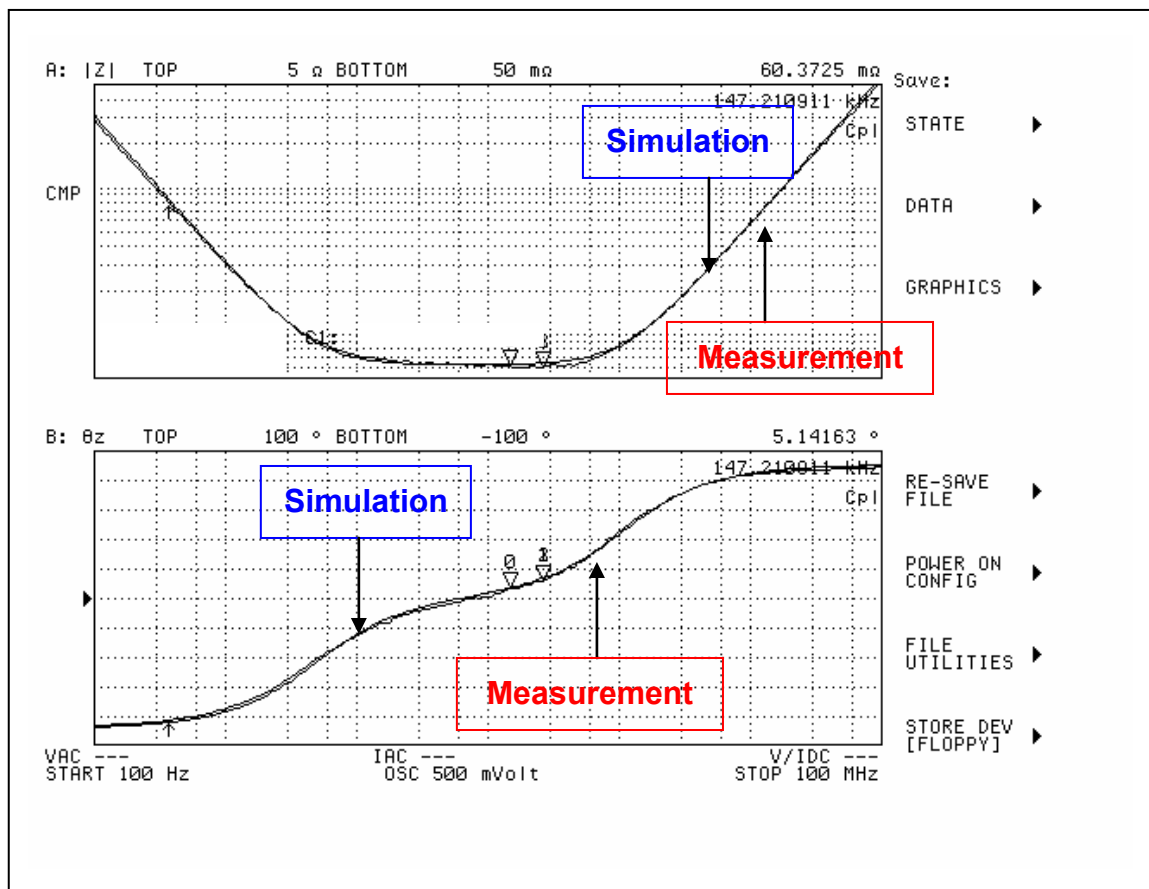
Theory: Auto Balancing Bridge Method

Optimization of Simulation

Range of adjustment Frequency: 100Hz to 100M(Hz)
 Frequency vs. $|Z|$ and Frequency vs. θz Characteristic

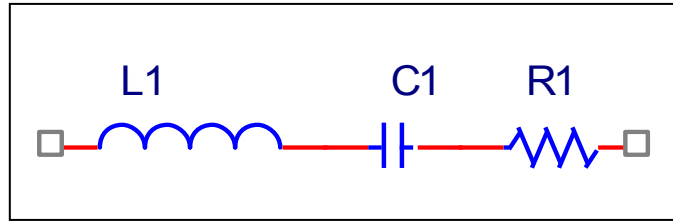
Attention)

Please use SPICE MODEL within the range from 100Hz to 100M(Hz)



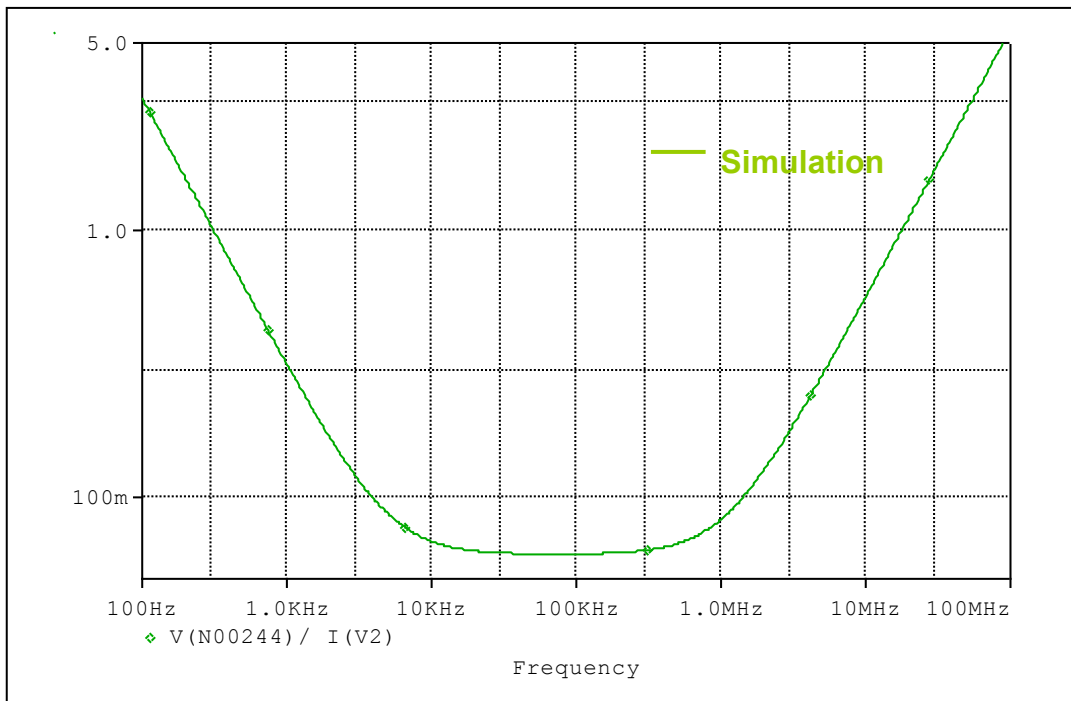
L1	
C1	
R1	

Equivalent circuit

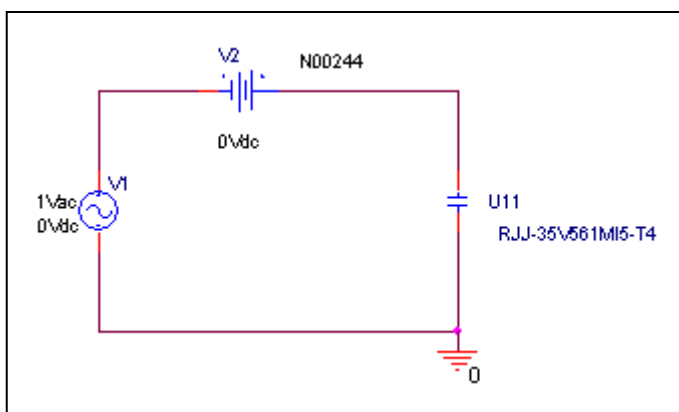


Frequency vs. IZI Characteristic

Circuit Simulation result



Evaluation Circuit



Simulation result

Frequency (Hz)	IZI (ohm) :Measurement	IZI (ohm) :Simulation	% Error
100	3.2183	3.1056	-3.5018
1K	319.104m	315.479m	-1.1360
10K	70.126m	68.983m	-1.6299
100K	62.447m	61.931m	-0.8263
1M	84.723m	83.364m	-1.6041
10M	568.123m	569.497m	0.2418
89M	4.9872	5.00	0.2567