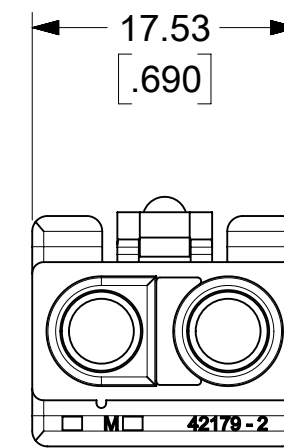


3 CIRCUIT RECEPTACLE



2 CIRCUIT RECEPTACLE

## RECEPTACLES

QUALITY SYMBOLS		THIS DRAWING CONTAINS INFORMATION THAT IS PROPRIETARY TO MOLEX ELECTRONIC TECHNOLOGIES, LLC AND SHOULD NOT BE USED WITHOUT WRITTEN PERMISSION			
▽ = 0	EC NO: 115950 DRWN: MKIPPER CHKD: JBELL REV / APPR: FSMITH RELEASED 2017/03/15 2017/05/30 2017/05/31	GENERAL TOLERANCES (UNLESS SPECIFIED)		DIMENSION UNITS	SCALE
▽ = 0		MM	INCH	MM/INCH	2:1
▽ = 0		4 PLACES ±	±	DRWN BY	DATE
▽ = 0		3 PLACES ±	± 0.007	MKIPPER	2017/03/15
▽ = 0		2 PLACES ±	± 0.18 ± 0.01	CHK'D BY	DATE
▽ = 0		1 PLACES ±	± 0.25 ±	JBELL	2017/03/17
▽ = 0		0 PLACES ±	±	APPR BY	DATE
▽ = 0		ANGULAR TOL ±		FSMITH	2017/03/20
▽ = 0		DRAFT WHERE APPLICABLE MUST REMAIN WITHIN DIMENSIONS		DRAWING SIZE	THIRD ANGLE PROJECTION
▽ = 0				C	
RELEASE STATUS		P1		RELEASE DATE	
12		11		31.05.2017 22:24:42	

**molex**

.125/(3.17) PLUG AND RECEPTACLE HOUSINGS

PRODUCT CUSTOMER DRAWING

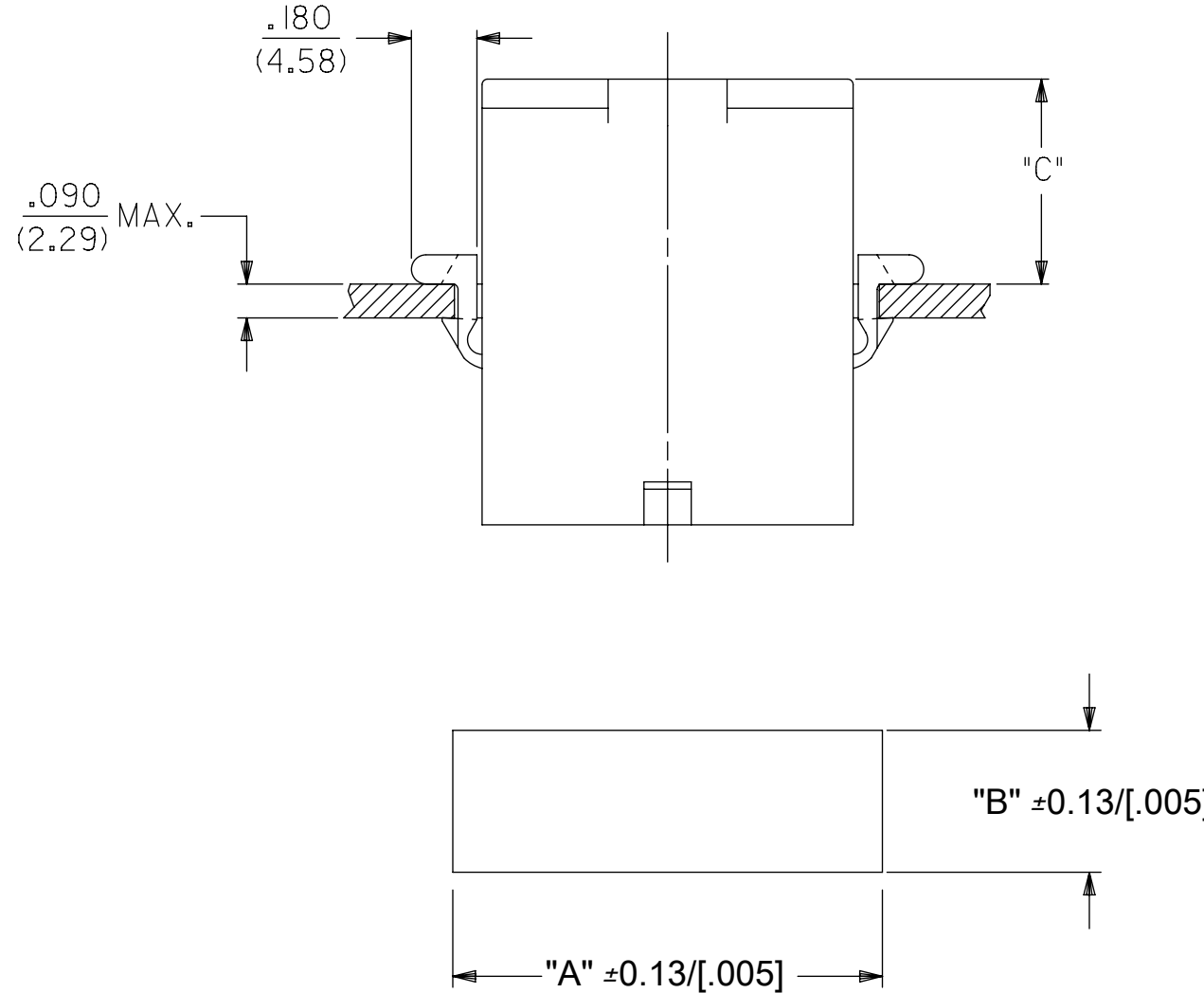
SERIES: 42179 MATERIAL NUMBER: SEE CHART CUSTOMER: GENERAL MARKET

DOCUMENT NUMBER: 421790000-SD DOC TYPE: PSD DOC PART: 000 SHEET NUMBER: 1 OF 3



PLUGS			
CIRCUITS	PART NO.	ENG. NO.	EARS
2	03-12-2026	42179-2P1	NO
2	03-12-2025	42179-2P	YES
3	03-12-2036	42179-3P1	NO
3	03-12-2035	42179-3P	YES
4	03-12-2046	42179-4P1	NO
4	03-12-2045	42179-4P	YES

RECEPTACLES		
CIRCUITS	PART NO.	ENG. NO.
2	03-12-1026	42179-2R1
3	03-12-1036	42179-3R1
4	03-12-1046	42179-4R1



RECOMMENDED HOLE CUTOUT

CIRCUITS	PLUG PART NO.	DIM. "A"	DIM. "B"	DIM. "C"
2	03-12-2025	21.62 / [.851]	11.18 / [.440]	14.5 / [.57]
3	03-12-2035	30.00 / [1.181]		
4	03-12-2045	38.38 / [1.511]		

NOTES:

1. MATERIAL: NYLON (PA6/6), UL94V-2, COLOR-NATURAL (TRANSLUCENT)
2. FINISH: NONE
3. PRODUCT SPECIFICATION: PSX-42179
4. PACKAGING SPECIFICATION: PK-42179-001
5. PART ACCEPTS A MAXIMUM .250/(6.35) INSULATION DIAMETER WIRE.
6. FOR USE WITH ALL MOLEX .125/(3.17) DIAMETER SERIES TERMINALS EXCEPT THE 1219/1220 SERIES.
7. PARTS CONFORM TO CLASS B REQUIREMENTS OF COSMETIC SPECIFICATION PS-45499-002.
8. THIS DRAWING REPLACES SD-42179-2\*, SD-42179-3\*, AND SD-42179-4\*.

<b>QUALITY SYMBOLS</b> 	THIS DRAWING CONTAINS INFORMATION THAT IS PROPRIETARY TO MOLEX ELECTRONIC TECHNOLOGIES, LLC AND SHOULD NOT BE USED WITHOUT WRITTEN PERMISSION				
	<b>RELEASED</b> EC NO: 115950 DRWN: MKIPPER CHKD: JBELL REV / APPR: FSMITH	<b>GENERAL TOLERANCES (UNLESS SPECIFIED)</b> MM INCH 4 PLACES ± ± 3 PLACES ± ± 0.007 2 PLACES ± 0.18 ± 0.01 1 PLACES ± 0.25 ± 0 PLACES ± ±		DIMENSION UNITS: MM/INCH SCALE: 2:1	 .125/(3.17) PLUG AND RECEPTACLE HOUSINGS
		ANGULAR TOL ± DRAFT WHERE APPLICABLE MUST REMAIN WITHIN DIMENSIONS		DRWN BY: MKIPPER DATE: 2017/03/15 CHK'D BY: JBELL DATE: 2017/03/17 APPR BY: FSMITH DATE: 2017/03/20	
		DIMENSION UNITS: <b>C</b> THIRD ANGLE PROJECTION		PRODUCT CUSTOMER DRAWING	
SERIES: 42179 MATERIAL NUMBER: SEE CHART CUSTOMER: GENERAL MARKET		DOCUMENT NUMBER: 421790000-SD DOC TYPE: PSD DOC PART: 000 SHEET NUMBER: 3 OF 3			