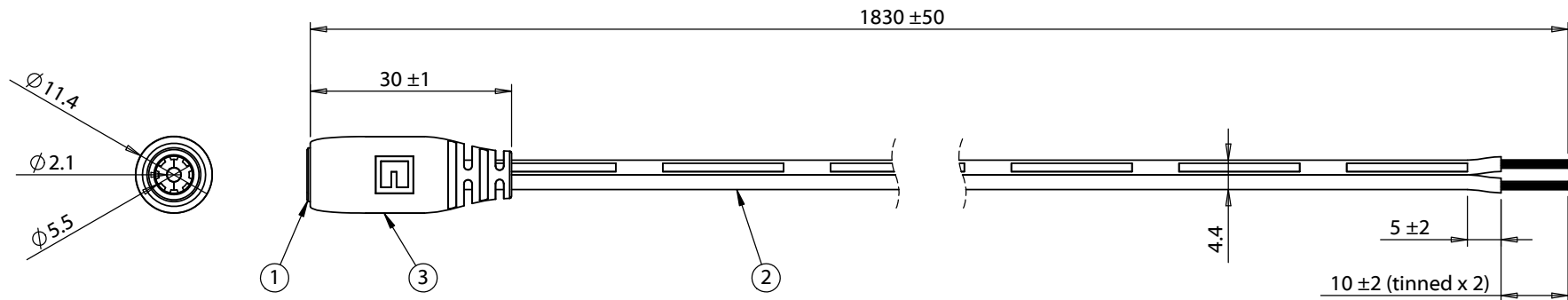


ITEM NO.	PART NUMBER	DESCRIPTION	QTY.	NOTES
1	50-00025	Connector, dc jack, 5.5x2.1xL17.4 mm, molding style	1	
2	30-00007	Wire, 2C BC, 18 AWG, UL2468, 300V, 80C, 4.4 mm, VW-1, PVC, 87A	1	
3	24-00004	Overmold, PVC, black	1	



Wiring diagram	
50-00025	Wire Color
Center	Black with stripe
Sleeve	Black

REVISION	DATE	DESCRIPTION	PREPARED:	NOTES	<h1>TENSILITY</h1> <p>20802 Sockeye Place #130 Bend, OR 97701 USA tel 541.323.3228 fax 541.323.4202 800 877.670.7118 www.tensility.com</p>		
A	6/27/2012	Initial release		RoHS and REACH compliant			
			VERIFIED:	Function test: no open, no reversed polarity, no short circuit, no INT			
			DIMENSIONS ARE IN MILLIMETERS	7 A, 12 Vdc			
			TOLERANCES: X: ± 0.5 mm X.X: ± 0.3 mm X.XX: ± 0.05 mm	Functionally equivalent components may be used			
				DESCRIPTION: Cable, 1830 mm, 5.5x2.1 mm 50-00025 dc jack to stripped tinned, 18 AWG, 30-00007 wire	SIZE A	PART NUMBER 10-01092	
					SCALE: 1:1	WEIGHT:	SHEET 1 OF 1