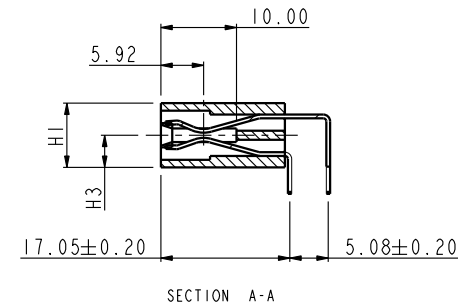
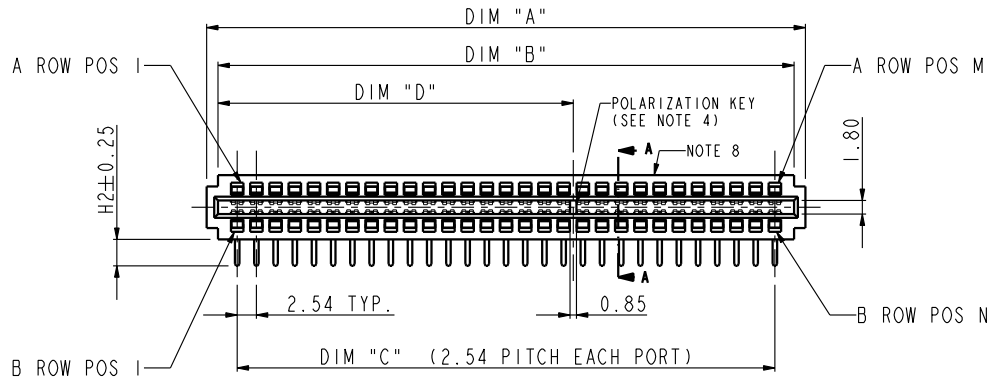
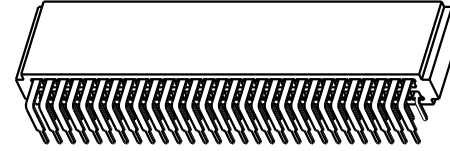
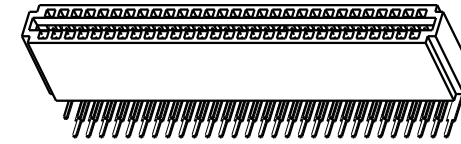
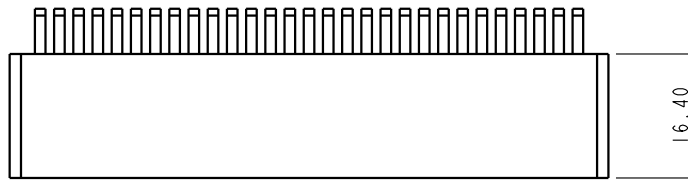


PRODUCT NO.
10035388-XXX_ _
NOTE:5



NOTE:

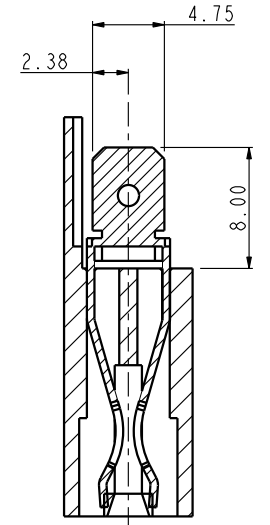
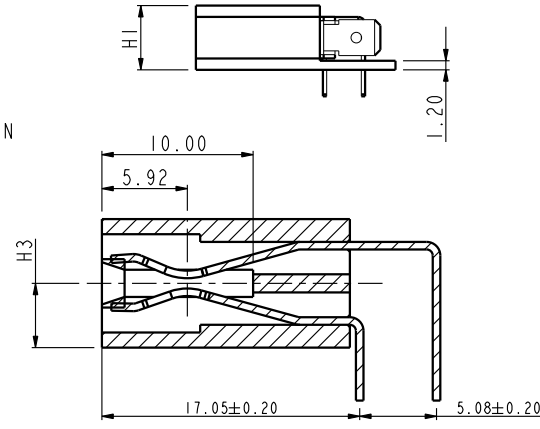
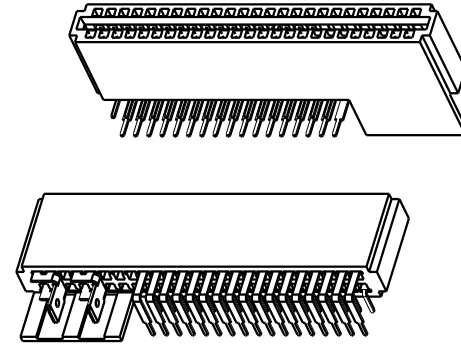
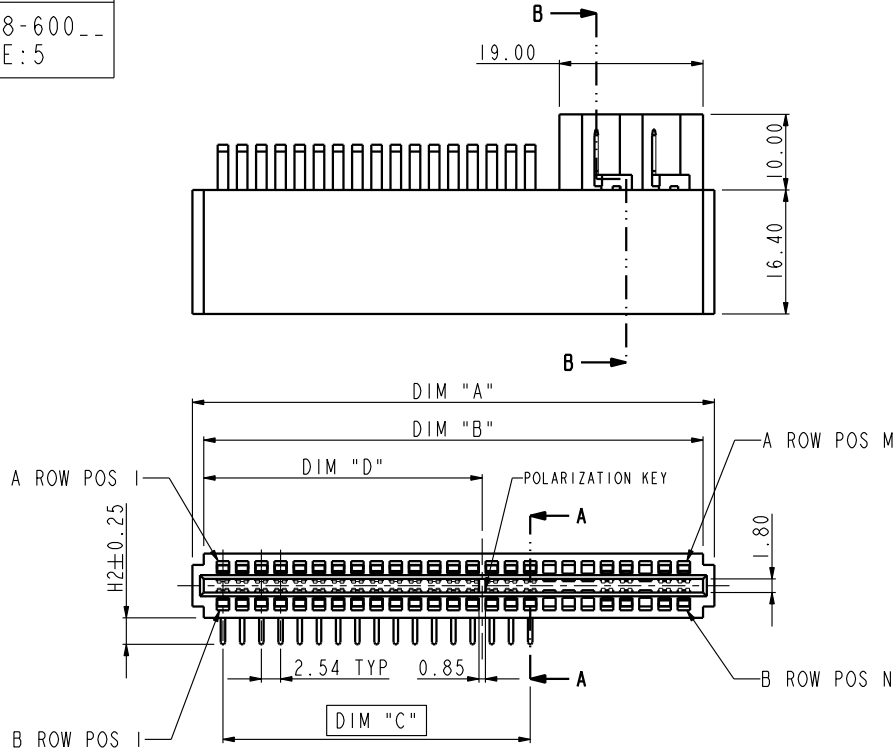
1. MATERIAL:
HOUSING: HIGH TEMPERATURE THERMOPLASTIC,
UL 94 V-0 RATED, BLACK.
TERMINAL: HIGH CONDUCTIVITY COPPER ALLOY.
2. PRODUCT SPECIFICATION: GS-12-259.
3. PACKAGE SPECIFICATION: GS-14-937
4. THERE IS NO POLARIZATION KEY IN 10035388-102/103/104/105/106/107/108/110/114/119/120/121/122/123/202/203/204/205/206/500/700/800/802/902/903/904/905/909/910/911/912/913. ⚠
5. PLATING SPEC:
10035388-XXX:
POWER PIN: CONTACT AREA - 30u" GOLD OVER 50u" NICKEL UNDER PLATED.
SOLDER TAIL - 100u" TIN/LEAD OVER 50u" NICKEL UNDER PLATED.
AC TERMINAL: 50u" NICKEL UNDER PLATED; 30u" GOLD ON CONTACT AREA.
10035388-XXXLF:
POWER PIN: CONTACT AREA - 30u" GOLD OVER 50u" NICKEL UNDER PLATED.
SOLDER TAIL - 100u" PURE MATTE TIN OVER 50u" NICKEL UNDER PLATED.
AC TERMINAL: 50u" NICKEL UNDER PLATED; 30u" GOLD ON CONTACT AREA.

6. P/N 10035388-XXXLF MEETS EUROPEAN UNION DIRECTIVE AND OTHER COUNTRY REGULATIONS AS DESCRIBED IN GS-22-008.
7. THE HOUSING WILL WITHSTAND EXPOSURE TO 260°C PEAK TEMPERATURE FOR 10 SECONDS IN A WAVE SOLDER APPLICATION WITH A CIRCUIT BOARD.
8. PRODUCT MARKING ON HOUSING IN AREA SHOWN MEETS AFci SPECIFICATION: GS-24-007.
9. ⚠ SYMBOL WILL BE NEXT TO ANY DIMENSION, VIWE, OR NOTE WHICH HAS BEEN MODIFIED WITH THE CURRENT DRAWING REVISION.

spec ref		*		dr	De-Ming Lu	2014/08/06	projection 	MM ←→	size	A4	scale	1:1
tolerance std		TOLERANCES UNLESS OTHERWISE SPECIFIED		eng	Leborn Luo	2017/10/25			ecn no	ELX-DG-28251-1		
ISO 406	ISO 1101			chr	Kaka Zhang	2017/11/01				rel level		Released
surface		linear	0.X	±0.5	appr	Pei-Ming Zheng	2017/11/01	product family		-	rev	
ISO 1302			0.XX	±0.25		Amphenol FCi	title		POWER EDGE CARD CONNECTOR		dwg no	10035388
		0.XXX	±0.10	WITHOUT SIGNAL ASSY			cat. no.		-			Product - Customer Drw
		angular	0°	±2°							sheet 1 of 6	

PRODUCT NO.

10035388-600__
NOTE: 5



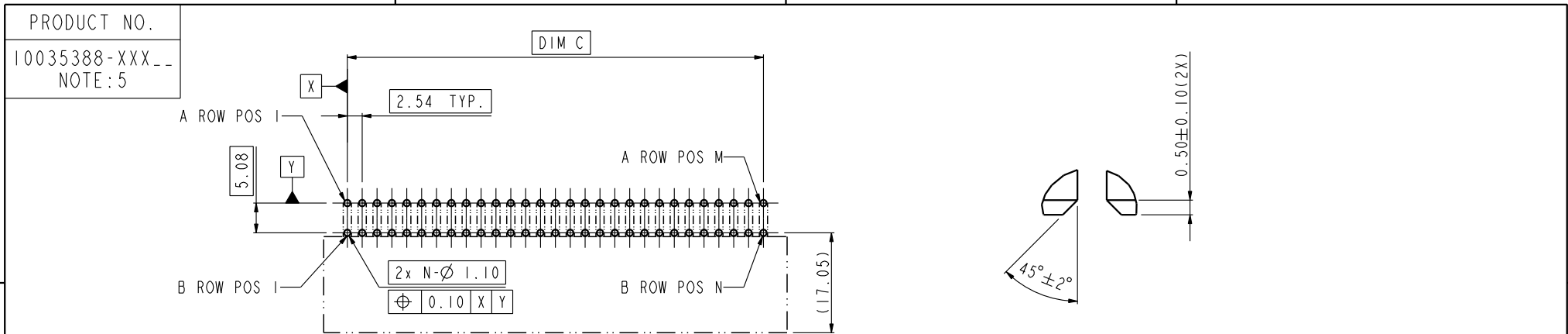
NOTE:
(APPLY TO 10035388-600__ AS ADDITIONAL)

- 10. THE EMPTY POSITIONS ARE 18, 19, 20, 23.
- 11. THERE ARE 2 AC TERMINALS.

SECTION A-A
SCALE 2:1

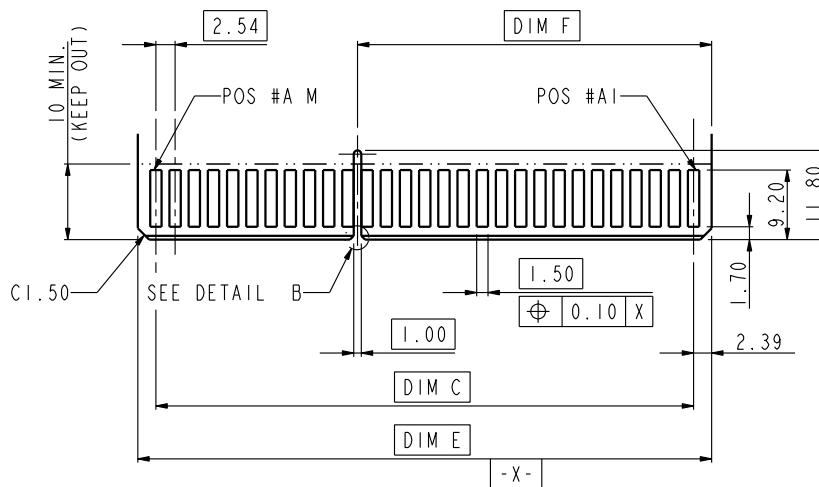
SECTION B-B
SCALE 2:1

spec ref	*	dr	De-Ming Lu	2014/08/06	projection	MM ←→	size	A4	scale	1:1	
tolerance std	TOLERANCES UNLESS OTHERWISE SPECIFIED	eng	Leborn Luo	2017/10/25			ecn no	ELX-DG-28251-1			
ISO 406		chr	Kaka Zhang	2017/11/01			rel level	Released			
ISO 1101		appr	Pei-Ming Zheng	2017/11/01			product family	-			
surface	linear	Amphenol FCI	title POWER EDGE CARD CONNECTOR WITHOUT SIGNAL ASSY			dwg no	10035388		rev	AM	
ISO 1302	0.X										±0.5
	0.XX										±0.25
	0.XXX	±0.10									
	angular	0°	±2°	cat. no.	-	Product - Customer Drw		sheet 2 of 6			

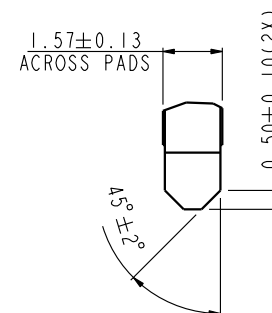
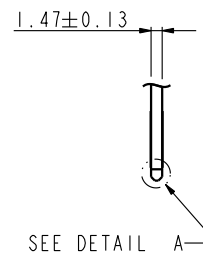


RECOMMENDED PCB LAYOUT

DETAIL B
SCALE 5:1



RECOMMENDED DAUGHTER CARD LAYOUT (TOP SIDE)



DETAIL A
SCALE 5:1

spec ref	*	dr	De-Ming Lu	2014/08/06	projection	MM	size	A4	scale	1:1
tolerance std	TOLERANCES UNLESS OTHERWISE SPECIFIED	eng	Leborn Luo	2017/10/25			ecn no	ELX-DG-28251-1		
ISO 406		chr	Kaka Zhang	2017/11/01	product family	-	rel level	Released		
ISO 1101		appr	Pei-Ming Zheng	2017/11/01			surface	linear	0.X	±0.5
					Amphenol FCI	title	POWER EDGE CARD CONNECTOR WITHOUT SIGNAL ASSY	angular	0.XX	±0.25
									0.XXX	±0.10
ISO 1302					cat. no.	-	Product - Customer Drw	sheet 3 of 6	rev	AM

Amphenol
FCI

© 2016 AFCI

	1	2					3			4			
	PRAT NO.	DIM"A"	DIM"B"	DIM"C"	DIM"D"	DIM"E"	DIM"F"	H1	H2	H3	PIN CONFIGURATION	M	N
	10035388-000 10035388-000LF	79.20	76.20	71.12	46.99	75.90	46.84	8.50	3.50	4.25	ALL LOADED	29	29
A	10035388-001 10035388-001LF	79.20	76.20	71.12	46.99	75.90	46.84	8.50	3.50	4.25	A1 P1 A29 B1 P1 B29	29	29
	10035388-100 10035388-100LF	69.04	66.04	60.96	36.83	65.74	36.68	8.50	3.50	4.25	ALL LOADED	25	25
	10035388-101 10035388-101LF	69.04	66.04	60.96	36.83	65.74	36.68	8.50	3.50	4.25	A1 P1 A25 B1 P1 B25	25	25
	10035388-102 10035388-102LF	69.04	66.04	60.96	N/A	65.74	N/A	8.50	3.50	4.25	ALL LOADED	25	25
	10035388-103 10035388-103LF	69.04	66.04	60.96	N/A	65.74	N/A	8.50	3.50	4.25	A1 P1 A25 B1 P1 B25	25	25
	10035388-104 10035388-104LF	69.04	66.04	60.96	N/A	65.74	N/A	8.50	3.50	4.25	A1 P1 A25 B1 P1 B25	25	25
B	10035388-105 10035388-105LF	69.04	66.04	60.96	N/A	65.74	N/A	8.50	3.50	4.25	A1 P1 A25 B1 P1 B25	25	25
	10035388-106 10035388-106LF	69.04	66.04	60.96	N/A	65.74	N/A	9.287	2.713	5.037	ALL LOADED	25	25
	10035388-200 10035388-200LF	84.28	81.28	76.20	52.07	80.98	51.92	8.50	3.50	4.25	ALL LOADED	31	31
	10035388-201 10035388-201LF	84.28	81.28	76.20	52.07	80.98	51.92	8.50	3.50	4.25	A1 P1 A31 B1 P1 B31	31	31
	10035388-202 10035388-202LF	84.28	81.28	76.20	N/A	80.98	N/A	8.50	3.50	4.25	ALL LOADED	31	31
C	10035388-203 10035388-203LF	84.28	81.28	76.20	N/A	80.98	N/A	8.50	3.50	4.25	A1 P1 A31 B1 P1 B31	31	31
	10035388-205 10035388-205LF	94.44	91.44	86.36	N/A	91.14	N/A	8.50	3.50	4.25	A1 P1 A35 B1 P1 B35	35	35
	10035388-300 10035388-300LF	86.82	83.82	78.74	54.61	83.52	54.46	8.50	3.50	4.25	ALL LOADED	32	32
	10035388-301 10035388-301LF	86.82	83.82	78.74	54.61	83.52	54.46	8.50	3.50	4.25	A1 P1 A32 B1 P1 B32	32	32

spec ref *		dr De-Ming Lu 2014/08/06		projection		size MM		scale 1:1		
tolerance std		eng Leborn Luo 2017/10/25		chr Kaka Zhang 2017/11/01		product family -		ecn no ELX-DG-28251-1		
ISO 406 ISO 1101		TOLERANCES UNLESS OTHERWISE SPECIFIED						rel level Released		
surface		linear		Amphenol FCI		title POWER EDGE CARD CONNECTOR WITHOUT SIGNAL ASSY		dwg no 10035388		rev AM
ISO 1302		angular								
		0.X ±0.5		cat. no. -		Product - Customer Drw		sheet 4 of 6		
		0.XX ±0.25								
		0.XXX ±0.10								
		0° ±2°								

Creo Title - REV E - 2016-02-12

Amphenol FCI

© 2016 AFCI

	1						2			3			4	
	PRAT NO.	DIM"A"	DIM"B"	DIM"C"	DIM"D"	DIM"E"	DIM"F"	H1	H2	H3	PIN CONFIGURATION		M	N
A	10035388-400 10035388-400LF	61.42	58.42	53.34	29.21	58.12	29.06	8.50	3.50	4.25	ALL LOADED		22	22
	10035388-500 10035388-500LF	76.66	73.66	68.58	N/A	73.36	N/A	8.50	3.50	4.25	ALL LOADED		28	28
	10035388-600 10035388-600LF	69.04	66.04	40.64	36.83	65.74	36.68	8.50	3.50	4.25	A1 A25 B1 B25	25	25	
B	10035388-700 10035388-700LF	86.82	83.82	78.74	N/A	83.52	N/A	8.50	3.50	4.25	ALL LOADED		32	32
	10035388-800 10035388-800LF	48.72	45.72	40.64	N/A	45.42	N/A	8.50	3.50	4.25	ALL LOADED		17	17
	10035388-802 10035388-802LF	48.72	45.72	40.64	N/A	45.42	N/A	8.50	3.50	4.25	A1 A17 B1 B17	17	17	
C	10035388-900 10035388-900LF	41.10	38.10	33.02	26.67	37.80	26.52	8.50	3.50	4.25	ALL LOADED		14	14
	10035388-903 10035388-903LF	94.44	91.44	86.36	N/A	91.14	N/A	8.50	3.50	4.25	A1 A35 B1 B35	35	35	
	10035388-904 10035388-904LF	94.44	91.44	86.36	N/A	91.14	N/A	8.50	3.50	4.25	A1 A35 B1 B35	35	35	
D	10035388-905 10035388-905LF	94.44	91.44	86.36	N/A	91.14	N/A	8.50	3.50	4.25	ALL LOADED		35	35
	10035388-907 10035388-907LF	53.80	50.80	45.72	26.27	50.50	26.52	8.50	3.50	4.25	ALL LOADED		19	19
	10035388-908 10035388-908LF	61.42	58.42	53.34	29.21	58.12	29.36	8.50	3.50	4.25	A1 A22 B1 B22	22	22	
D	10035388-909 10035388-909LF	48.72	45.72	40.64	N/A	45.42	N/A	8.50	3.50	4.25	A1 A17 B1 B17	17	17	
	10035388-910 10035388-910LF	94.44	91.44	86.36	N/A	91.14	N/A	8.50	3.50	4.25	A1 A35 B1 B35	35	35	
	10035388-911 10035388-911LF	53.80	50.80	45.72	N/A	50.50	N/A	8.50	3.50	4.25	ALL LOADED		19	19
	10035388-912 10035388-912LF	41.10	38.10	33.02	N/A	37.80	N/A	8.50	3.50	4.25	A1 A14 B1 B14	14	14	

spec ref	*	dr	De-Ming Lu	2014/08/06	projection		size	A4	scale	1:1	
tolerance std	ISO 406 ISO 1101	eng	Leborn Luo	2017/10/25			ecn no				ELX-DG-28251-1
TOLERANCES UNLESS OTHERWISE SPECIFIED		chr	Kaka Zhang	2017/11/01			product family		-	rel level	
surface	linear	appr	Pei-Ming Zheng	2017/11/01	title		POWER EDGE CARD CONNECTOR		dwg no		10035388
	angular				WITHOUT SIGNAL ASSY		rev		AM		
ISO 1302	0.X ±0.5 0.XX ±0.25 0.XXX ±0.10 0° ±2°	cat. no.		-	Product - Customer Drw			sheet 5 of 6			

Amphenol FCI

© 2016 AFCI

	1	2	3	4									
	PRAT NO.	DIM"A"	DIM"B"	DIM"C"	DIM"D"	DIM"E"	DIM"F"	H1	H2	H3	PIN CONFIGURATION	M	N
	10035388-107 10035388-107LF	69.04	66.04	60.96	N/A	65.74	N/A	8.50	3.50	4.25	A1 A25 B1 B25	25	25
A	10035388-913 10035388-913LF	25.86	22.86	17.78	N/A	22.56	N/A	8.50	3.50	4.25	ALL LOADED	8	8
	10035388-902 10035388-902LF	94.44	91.44	86.36	N/A	91.14	N/A	8.50	3.50	4.25	A1 A35 B1 B35	35	35
	10035388-108 10035388-108LF	69.04	66.04	60.96	N/A	65.74	N/A	8.50	3.50	4.25	A1 A25 B1 B25	25	25
	10035388-206 10035388-206LF	84.28	81.28	76.20	N/A	80.98	N/A	8.50	3.50	4.25	A1 A31 B1 B31	31	31
	10035388-110 10035388-110LF	69.04	66.04	60.96	N/A	65.74	N/A	8.50	3.50	4.25	A1 A25 B1 B25	25	25
	10035388-204 10035388-204LF	81.74	78.74	73.66	N/A	78.44	N/A	8.50	3.50	4.25	ALL LOADED	30	30
B	10035388-114 10035388-114LF	41.10	38.10	33.02	N/A	37.80	N/A	8.50	3.50	4.25	ALL LOADED	14	14
	10035388-119 10035388-119LF	94.44	91.44	86.36	N/A	91.14	N/A	8.50	3.50	4.25	A1 A35 B1 B35	35	35
	10035388-120 10035388-120LF	69.04	66.04	60.96	N/A	65.74	N/A	8.50	3.50	4.25	A1 A25 B1 B25	25	25
	10035388-121 10035388-121LF	48.72	45.72	40.64	N/A	45.42	N/A	8.50	3.50	4.25	A1 A17 B1 B17	17	17
	10035388-122 10035388-122LF	76.66	73.66	68.58	N/A	73.36	N/A	8.50	3.50	4.25	A1 A28 B1 B28	28	28
C	10035388-123 10035388-123LF	69.04	66.04	60.69	N/A	65.74	N/A	8.50	3.50	4.25	A1 A25 B1 B25	25	25
	10035388-124 10035388-124LF	33.48	30.48	25.40	13.97	30.18	13.82	8.50	3.50	4.25	A1 A11 B1 B11	11	11

spec ref	*	dr	De-Ming Lu	2014/08/06	projection		size	A4	scale	1:1									
tolerance std	ISO 406 ISO 1101	eng	Leborn Luo	2017/10/25		←→	ecn no	ELX-DG-28251-1											
TOLERANCES UNLESS OTHERWISE SPECIFIED		chr	Kaka Zhang	2017/11/01				rel level	Released										
surface	linear	appr	Pei-Ming Zheng	2017/11/01	product family	-	rel level	Released											
	angular				product family	-	rel level	Released											
	0.X	Amphenol FCI		title		POWER EDGE CARD CONNECTOR		dwg no		10035388		rev							
	±0.5													cat. no.		Product - Customer Drw		sheet 6 of 6	
	0.XX																		
	±0.25																		
	0.XXX	Product - Customer Drw		sheet 6 of 6															
	±0.10																		
	0°					Product - Customer Drw		sheet 6 of 6											
	±2°																		
	ISO 1302	Product - Customer Drw		sheet 6 of 6															

Creo Title - REV E - 2016-02-12

PDS: Rev :AM

STATUS:Released

Printed: Nov 03, 2017