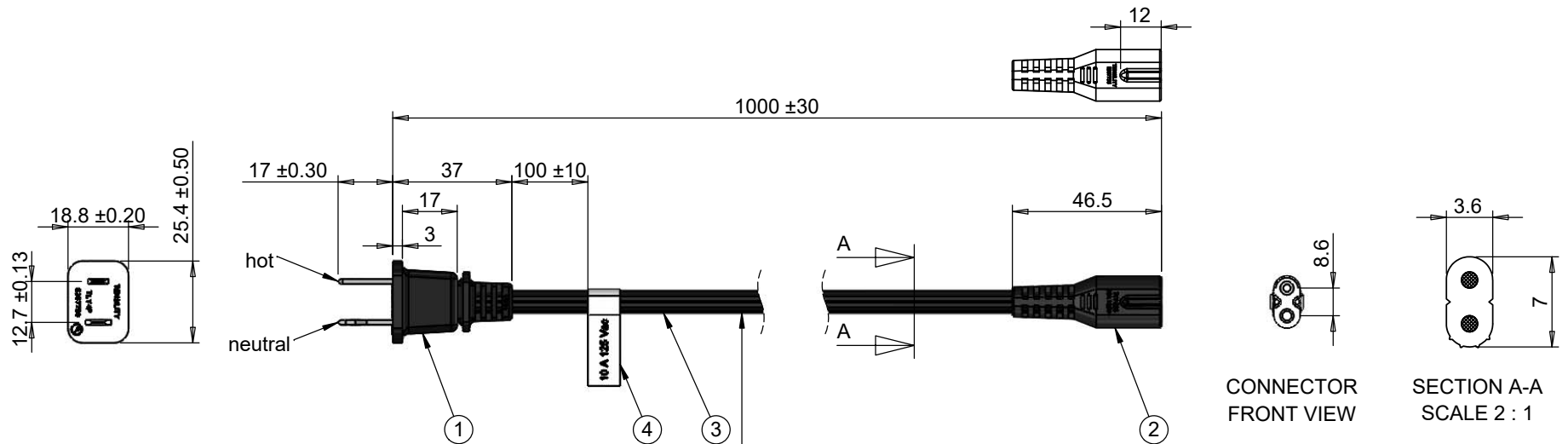


| ITEM NO. | PART NUMBER | DESCRIPTION | QTY. | COMPONENT NOTES |
|----------|-------------|--|------|-----------------------|
| 1 | TLY-1P | NEMA 1-15P, polarized | 1 | black overmold |
| 2 | TLY-22S | C7 | 1 | black overmold |
| 3 | 30-00246 | Wire, 2C, 18 AWG, UL SPT-2, 300V, 105C, 7.05 mm, VW-1, PVC | 1 | |
| 4 | Label | Adhesive flag, 15x100mm | 1 | white with black font |



Wire marking: (UL) E339575 SPT-2 2X0.824mm2
(18AWG) 105C 300V VW-1 C(UL) SPT-2 2X0.824mm2
(18AWG) 105C 300V VW-1 TENSILITY HLE

CONNECTOR
FRONT VIEW

SECTION A-A
SCALE 2 : 1

| Wiring Diagram | |
|----------------|---------|
| TLY-1P | wire |
| hot | round |
| neutral | grooved |

Notes:
Electrical requirements: 10 A at 125 Vac

| | | | | | |
|-----------|------------|-----------------|--|---|---|
| Revision: | Date: | Description: | Prepared: | Notes: RoHS and REACH compliant | <h1>TENSILITY</h1> tel 1.541.323.3228 800 877.670.7118 fax 1.541.323.4202 web tensility.com |
| A | 12/20/2016 | Initial release | Verified: | | |
| | | | Dimensions are in millimeters. Tolerances: X: ± 0.5 mm X.X: ± 0.3 mm X.XX: ± 0.05 mm | Description: Ac cord, 1000 mm, U.S, NEMA 1-15P plug, TLY-1P to C7, TLY-22S, 18 AWG, SPT-2 wire, 30-00246 | Size: A |
| | | | | | Part number: 11-00034 |
| | | | | | Scale: 1:2 Sheet 1 of 1 |