

# LightHAWK<sup>2</sup> Dual Technology Wall Switch Sensor

WALL SWITCH OCCUPANCY SENSORS

**TITLE  
24**  
COMPLIANCE



Light  
**HAWK<sup>2</sup>**



LHMTS1

## PROJECT INFORMATION

Project Name \_\_\_\_\_

Catalog No. \_\_\_\_\_

Date \_\_\_\_\_

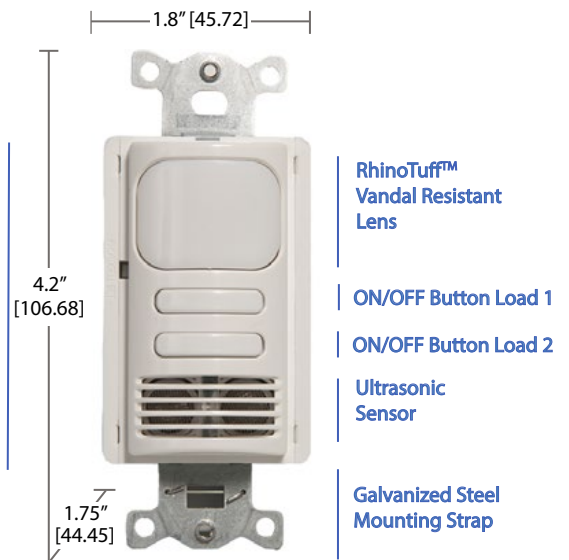
With a coverage area of up to 1,000 square feet and 180° of detection, the *LightHAWK2* Dual Technology Wall Switch Sensor combines ultrasonic (US) and passive infrared (PIR) technologies for unequaled motion detection. By far the most versatile and widely used sensor in the *LightHAWK2* product line, this sensor can be used in a large number of applications, and won't leave users waving their hands in the dark.

LHMT sensors feature Hubbell Controls' patented IntelliDAPT<sup>™</sup> technology, which makes all the sensor adjustment decisions automatically. Throughout the product's lifespan, smart software analyzes the controlled area and makes digital adjustments to sensitivity and timer settings. Occupancy sensors with *IntelliDAPT* provide a maintenance-free install-and-forget operation. With selectable operating modes—auto on/off or manual on/auto off—and a built-in photosensor for automatic daylight harvesting, LHMT sensors are the most capable choice in today's marketplace.

## PRODUCT FEATURES

- Digital dual technology: (US) and (PIR) sensors
- *IntelliDAPT* self-adaptive technology—no manual adjustment required
- 1 or 2 relay models for single-level switching or bi-level switching
- Occupancy (auto-on) and Vacancy (manual-on) operating modes
- Available with or without Neutral
- 1,000 square-foot, 180° coverage area
- RhinoTuff<sup>™</sup> vandal resistant lens
- 120/277VAC operation
- No minimum load requirement
- Zero Arc Point Switching
- Five-year limited warranty
- 120-277 Vac and 347 Vac models
- Low voltage device: 24 Vdc

Fits Standard Decorator Style Wallplate (sold separately)



LHMTD2

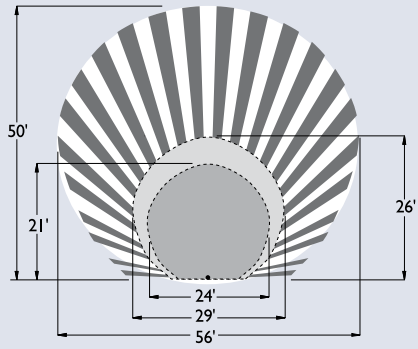
## General Specifications

IntelliDAPT Technology	Self-adjusting timer Self-adjusting Ultrasonic (US) and passive infrared (PIR) sensitivity Automatic false-on/false-off corrections No manual adjustments required
Time Delay	Auto mode: 4–30 minutes; self-adjusts based on occupancy Fixed mode: 4, 8, 15, and 30 minutes Test mode: 5 seconds
Ultrasonic (US) Output	40kHz output
Passive Infrared (PIR)	Dual-element pyrometer and 12-element cylindrical RhinoTuff lens
Photocell	Natural light override range: 10–500 foot-candles
Coverage	1,000 square-foot, 180° coverage area
Power Requirements	120/277VAC; 50/60Hz 347VAC; 50/60Hz 24VDC (requires UVPP)
Electrical Ratings	120VAC: 800W Incandescent/ Electronic Ballast/ LED Driver 1,000W Magnetic Ballast 1/6 HP Motor 277VAC: 1,800W Magnetic Ballast /Electronic Ballast/ LED Driver; 1/6 HP Motor 347VAC: 1,500W Magnetic Ballast /Electronic Ballast/ LED Driver 1/6 HP Motor
Minimum Load Requirements	None
Operating Environment	Indoor use only Operating temperature: 32° to 104°F (0° to 40°C) Relative humidity (non-condensing): 0% to 95%
Construction	Casing—high-impact injection-molded plastic (UL-94-5V) Impact-resistant lens Color-coded leads are 6" long Wrap-around galvanized steel mounting strap
Dimensions	4.2" x 1.8" x 1.75"; .37" extension [106.68mm x 45.72mm x 44.45mm; 9.4mm ext.]
Weight	2.9 oz [82.21g]
Color	White; Ivory; Light Almond; Gray; Black
Mounting	Single-gang NEMA-style switch box (standard switch box) Decorator-style wall plate sold separately
Certifications	Listed UL, cUL
Warranty	Five-year limited

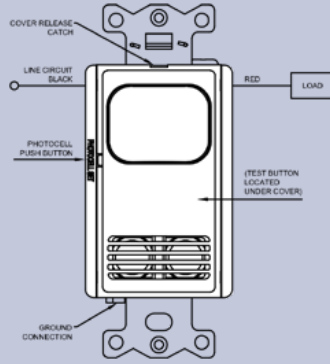
## Ordering Information

MODEL	BUTTONS	WIRING	COLOR	MODE
<b>LHMTS</b> <i>LightHAWK2</i> Dual Technology Single Relay	<b>0</b>	<b>G</b> Ground (120/277V) <b>N</b> Neutral (120/277V)	<b>WH</b> White <b>IV</b> Ivory	<b>Blank</b> Switchable Vacancy or Occupancy Mode
<b>LHMTD</b> <i>LightHAWK2</i> Dual Technology Dual Relay	<b>1*</b> <b>2†</b>	<b>24V</b> Low Voltage <b>G347</b> Ground (347V) <b>N347</b> Neutral (347V)	<b>LA</b> Light Almond <b>GY</b> Gray <b>BK</b> Black	<b>M</b> Vacancy Mode Only

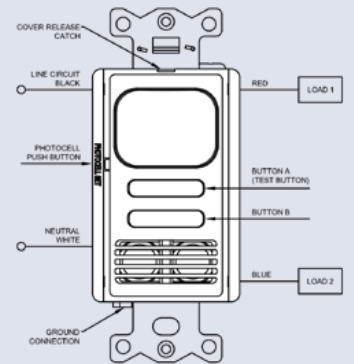
NOTE: \* Only available with *LightHAWK2* Dual Technology Single Relay.  
† Only available with *LightHAWK2* Dual Technology Dual Relay.  
- Low voltage sensors require a power pack that is sold) separately.



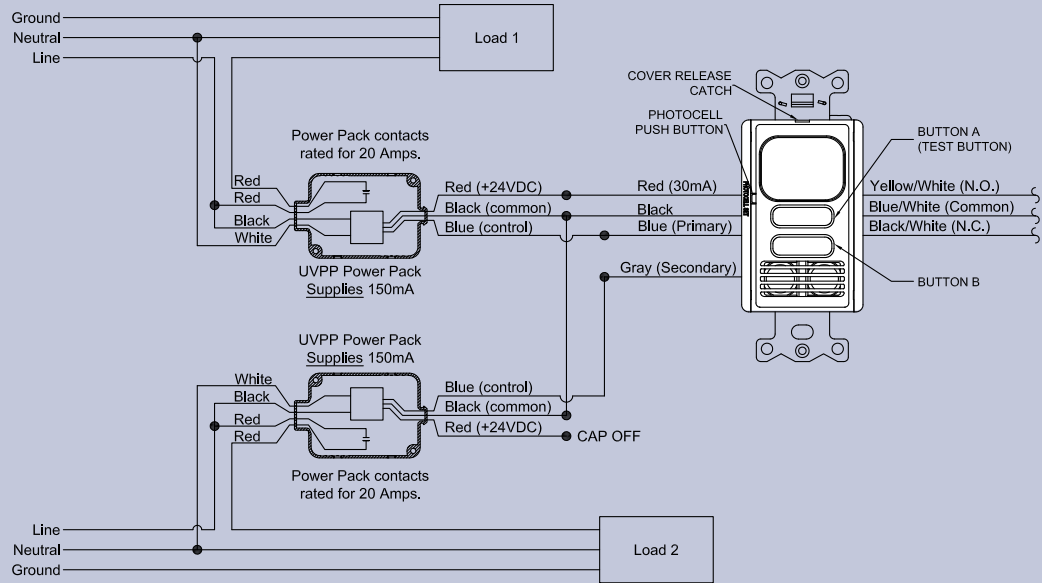
US Major Motion  
  US Minor Motion  
  IR Motion



**Single Load Wiring Without Neutral**



**Dual Load Wiring With Neutral**



**Low Voltage Dual Level Control with Two Power Packs**