

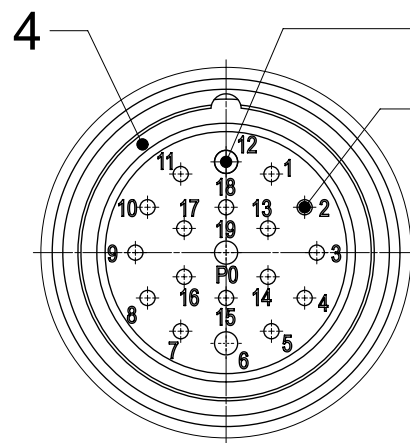
TABLE 1

MOLEX P/N	ENG. NO.	LED
1202480065	BTB8030-FBC	NO
1202480066	BTB803P-FBC	YES
1202480136	BTB803N-FBC	YES

TABLE 2 BILL OF MATERIAL

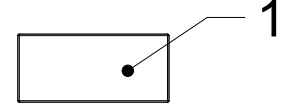
ITEM	DESCRIPTION	MATERIAL	FINISH
1	LABEL	ABS	WHITE
2	SHELL	BRASS	NICKEL PLATED
3	O-RING	NBR	BLACK
4	O-RING	NBR	BLACK
5	CONTACT	BRASS	GOLD OVER NICKEL
6	CONTACT	BRASS	GOLD OVER NICKEL
7	CONTACT	BRONZE	GOLD OVER NICKEL
8	O-RING	FPM	RED
9	LED	NO LED = PA	BLACK
		WITH LED = PA	TRANSPARENT
10	SHELL	BRASS	NICKEL PLATED
11	HOUSING	PBT	BLACK

2X FIXING SLOT HOLES  
SUITABLE FOR M4  
SCREWS

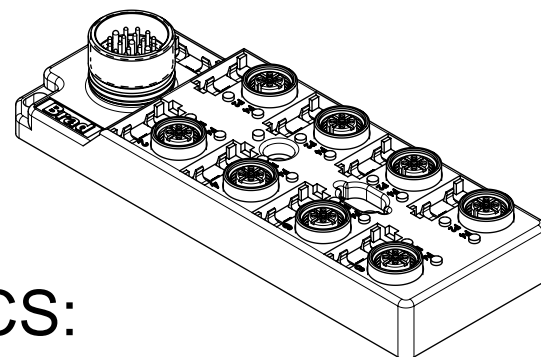


SCALE  
2:1

SCALE 1:1



LABEL  
9x packed in a bag.

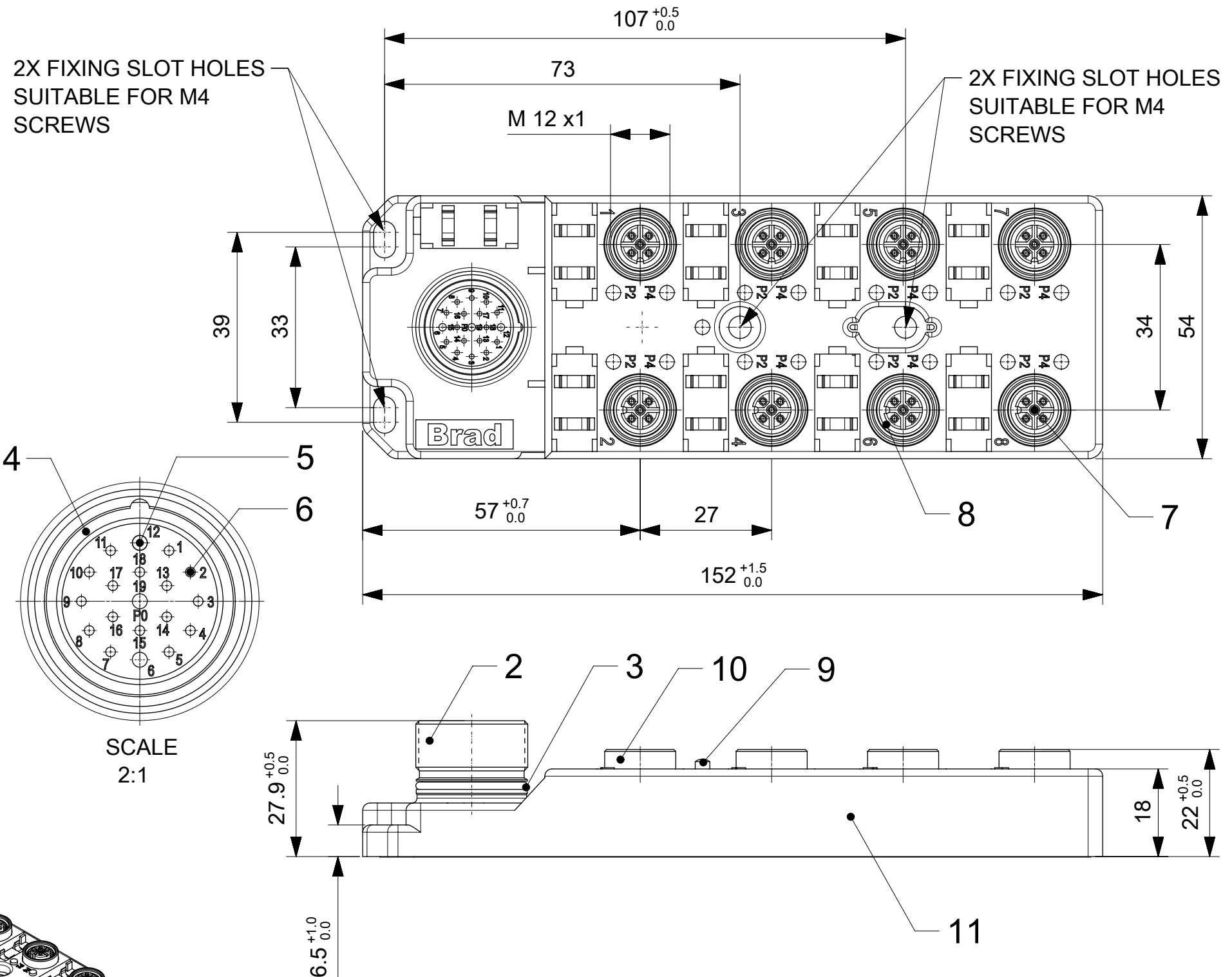


SCALE  
1:2

GENERAL CHARACTERISTICS:

ELECTRICAL AND MECHANICAL DATA ACC. TO IEC 61076-2-101

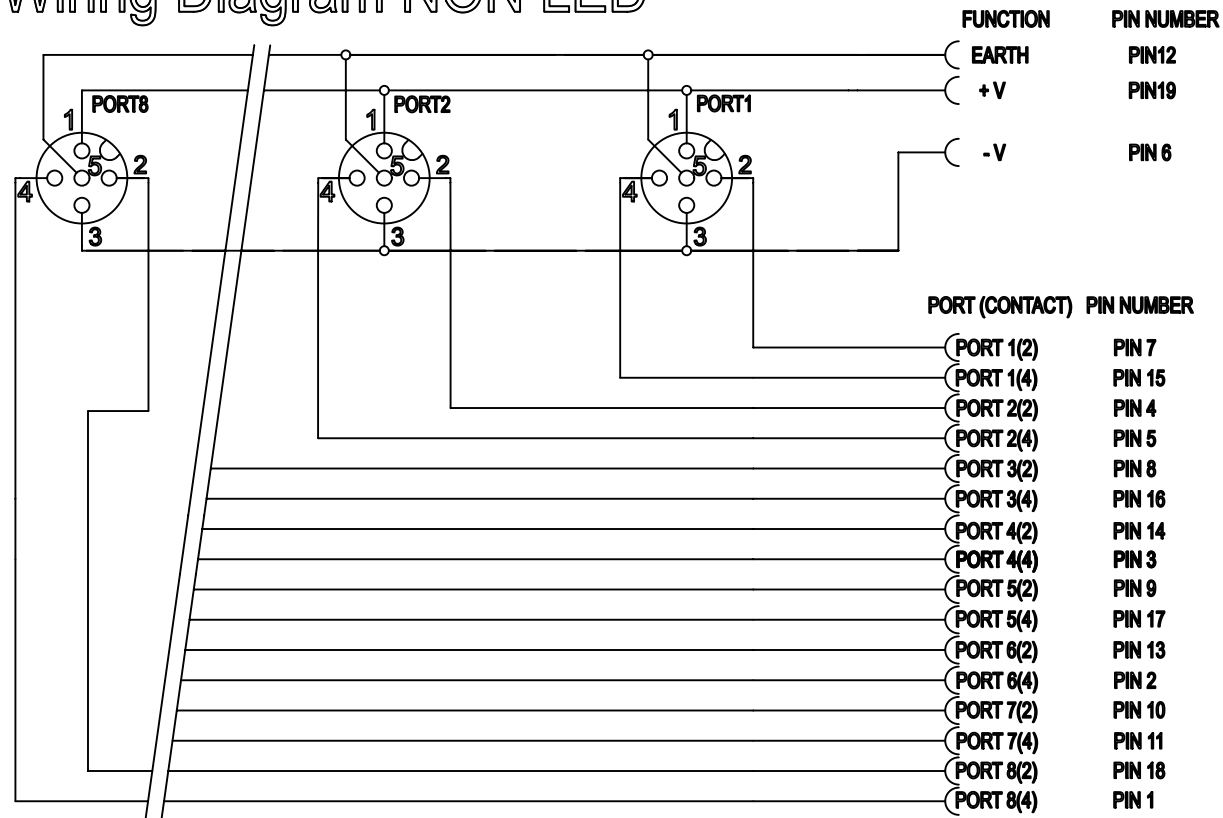
NOMINAL VOLTAGE: 10-30 V DC  
 AMPERE RATING: 4 A PER PORT / 12 A MAX  
 AMPERE RATING WITH UL REGISTRATION: 3 A PER PORT / 9 A MAX  
 IP DEGREE OF PROTECTION: IP 67  
 TEMPERATURE RANGE: -25°C to + 85°C



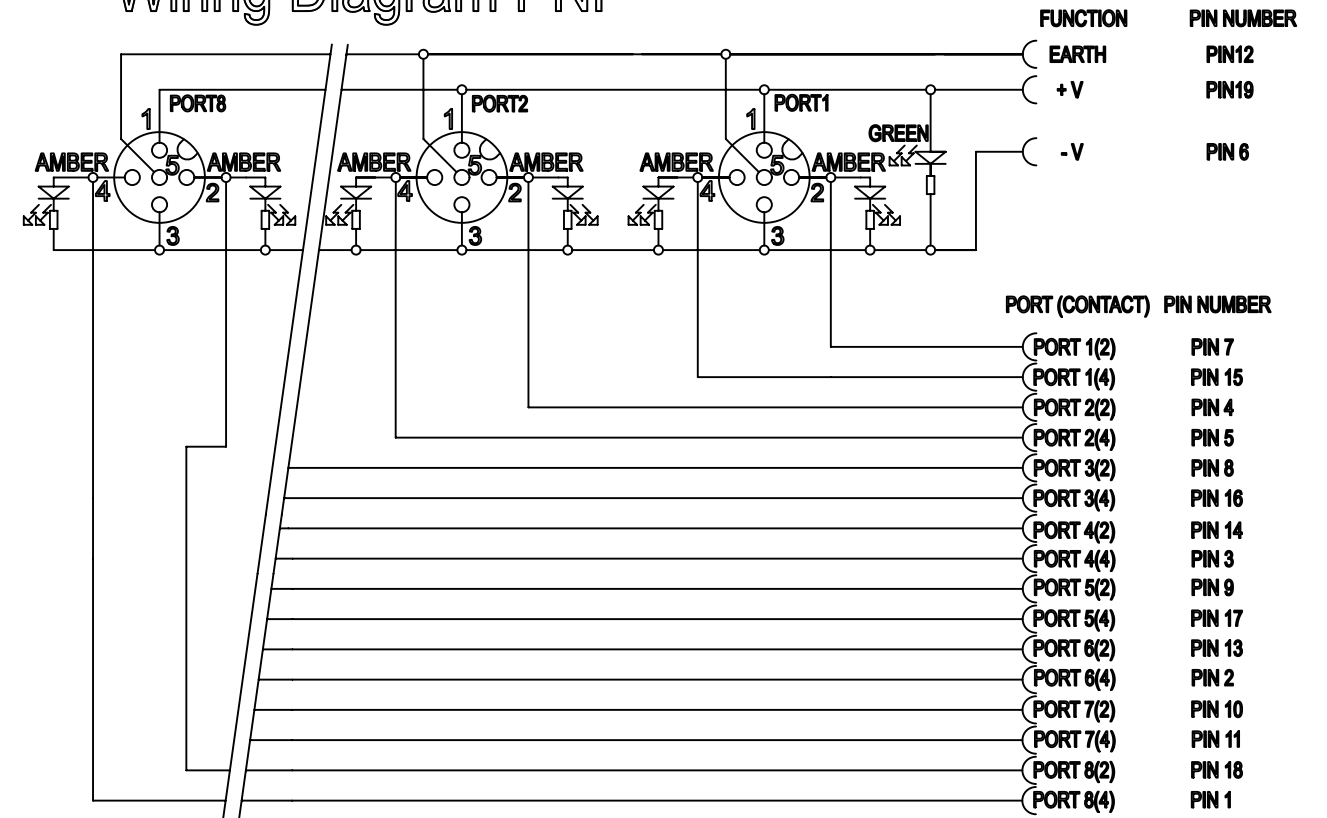
THIS DRAWING CONTAINS INFORMATION THAT IS PROPRIETARY TO MOLEX INCORPORATED AND SHOULD NOT BE USED WITHOUT WRITTEN PERMISSION

EC DESCRIPTION	QUALITY SYMBOLS	GENERAL TOLERANCES (UNLESS SPECIFIED)	DIMENSION UNITS		SCALE					
			MM	SCALE						
EC NO: 118787 DRWN: ULETTENMEIER 2017/06/29 CHK'D: APPR: BBRAUCH 2017/06/29	∇ = 0 ∇ = 0 ∇ = 0 ▼ = 0 ∇ = 0 ⊠ = 0 ■ = 0 ∇ = 0	ANGULAR TOL ± ° 4 PLACES ± 3 PLACES ± 2 PLACES ± 1 PLACE ± 0 PLACES ± 0.25 DRAFT WHERE APPLICABLE MUST REMAIN WITHIN DIMENSIONS	AAHLERS	1:1	DATE	MPIS M12 PNP NPN NOS 5P 8PT 19P M23 BK DUAL				
			RSILLER	2015/04/02	DATE					
A4	REV		APPR BY		DATE		PRODUCT CUSTOMER DRAWING			
			RSILLER	2015/05/20	DATE					
			DRAWING SIZE	THIRD ANGLE PROJECTION	SERIES	MATERIAL NUMBER	CUSTOMER			
			A3		120248	SEE TABLE 1	GENERAL MARKET			
					DOCUMENT NUMBER	DOC TYPE	DOC PART	SHEET NUMBER		
					1202480065	PSD	000	1 OF 2		

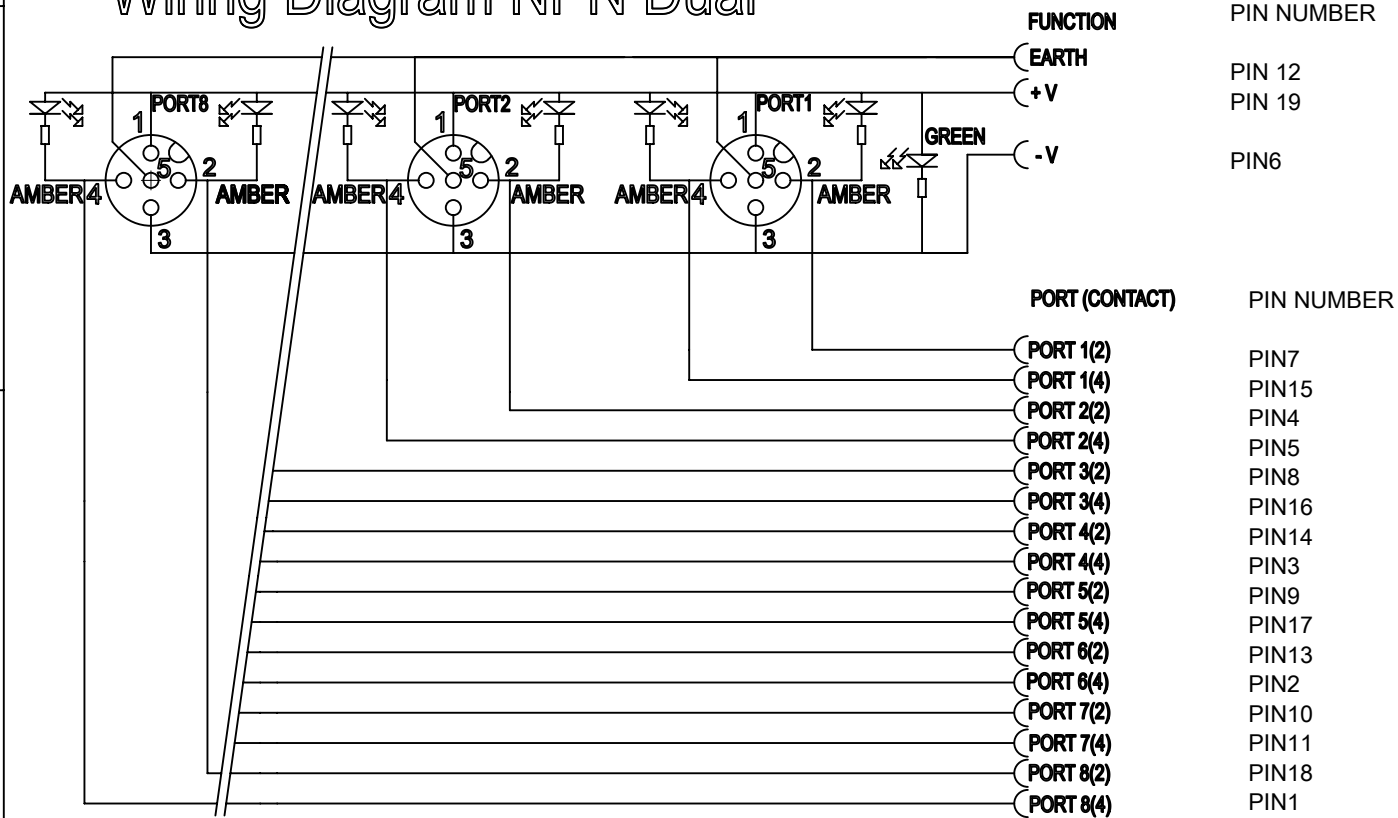
# Wiring Diagram NON LED



# Wiring Diagram PNP



# Wiring Diagram NPN Dual



THIS DRAWING CONTAINS INFORMATION THAT IS PROPRIETARY TO MOLEX INCORPORATED AND SHOULD NOT BE USED WITHOUT WRITTEN PERMISSION

EC DESCRIPTION EC NO: 118787 DRWN: ULETTENMEIER 2017/06/29 CHK'D: APPR: BBRAUCH 2017/06/29	QUALITY SYMBOLS	GENERAL TOLERANCES (UNLESS SPECIFIED)	DIMENSION UNITS	SCALE				
	▽ = 0 ▽ = 0 ▽ = 0 ▽ = 0 ▽ = 0 ▽ = 0 ▽ = 0	ANGULAR TOL ± ° 4 PLACES ± 3 PLACES ± 2 PLACES ± 1 PLACE ± 0 PLACES ± 0.25	MM	1:1				MPIS M12 PNP NPN NOS 5P 8PT 19P M23 BK DUAL
	▽ = 0 ▽ = 0 ▽ = 0	DRAFT WHERE APPLICABLE MUST REMAIN WITHIN DIMENSIONS	AAHLERS	2015/04/02	PRODUCT CUSTOMER DRAWING			
	▽ = 0 ▽ = 0		RSILLER	2015/05/20				SERIES
A4	REV		A3		120248	SEE TABLE 1	GENERAL MARKET	
					DOCUMENT NUMBER	DOC TYPE	DOC PART	SHEET NUMBER
					1202480065	PSD	000	2 OF 2