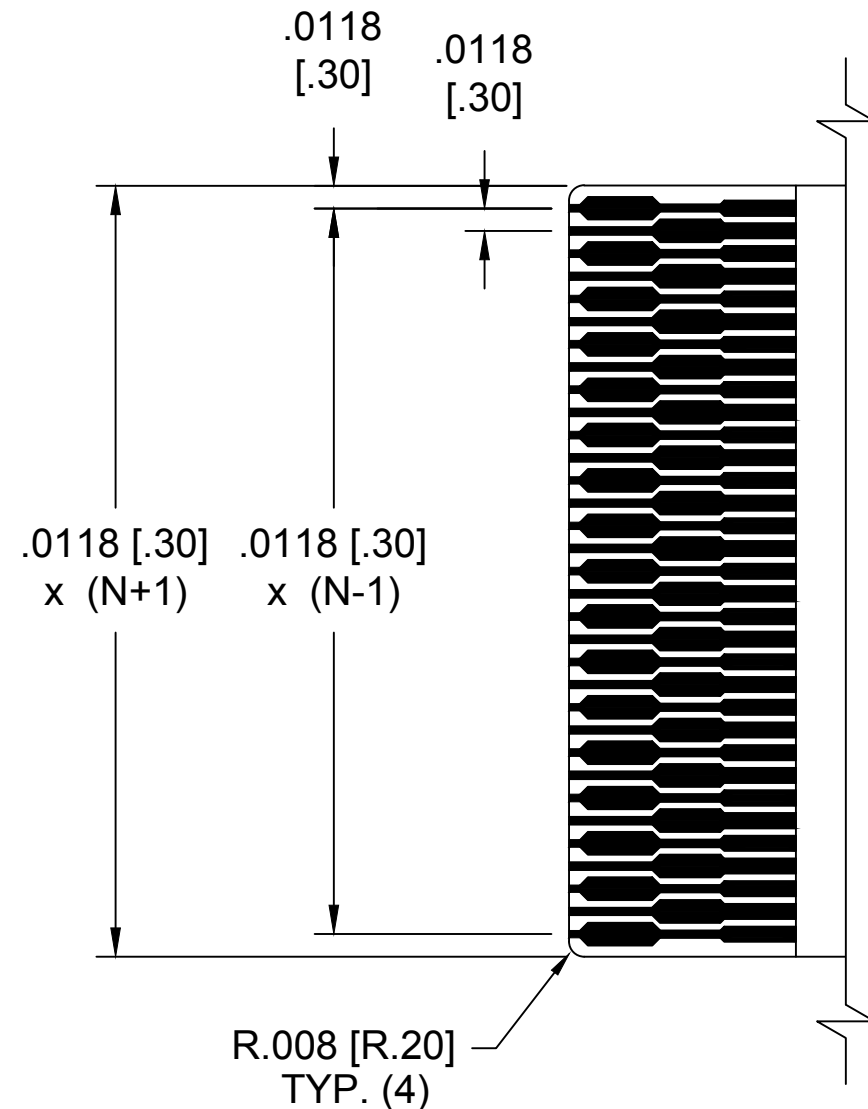


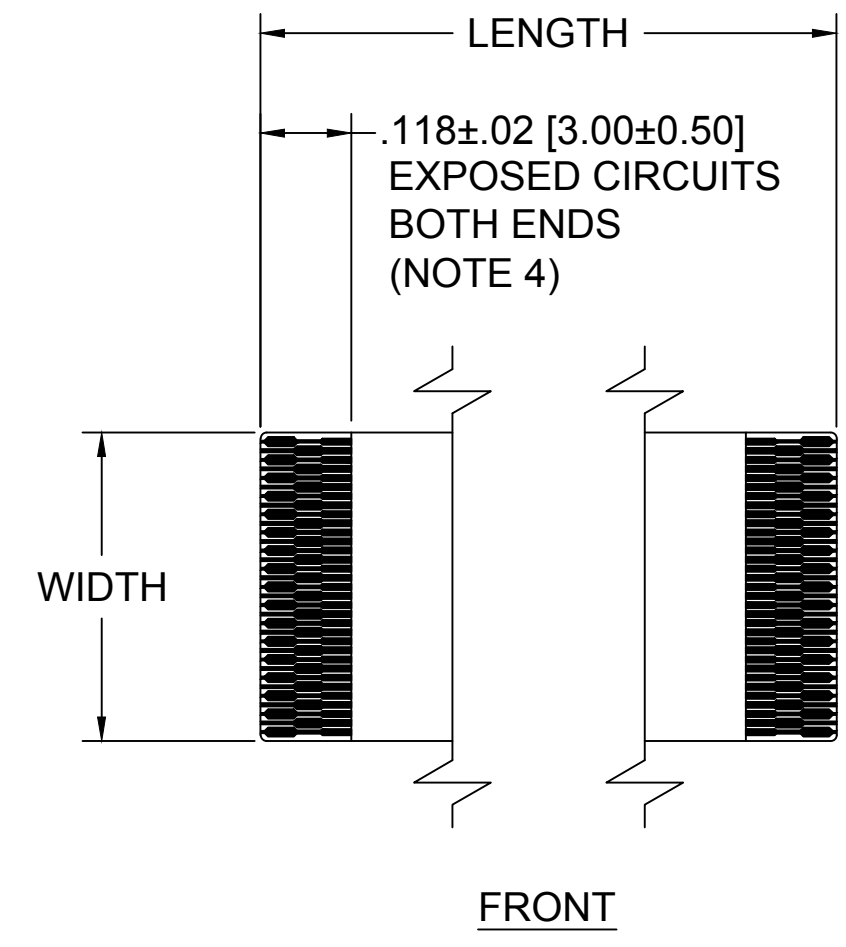
	13	12	11	10	9	8	7	6	5	4	3	2	1
	PART NO.	CIRCUITS	LENGTH ±.01 [.25]	WIDTH ±.004 [.10]									
J	150150223	23	2.00 [50.8]	.283 [7.2]									
	150150423	23	4.00 [101.6]	.283 [7.2]									
	150150623	23	6.00 [152.4]	.283 [7.2]									
	150150823	23	8.00 [203.2]	.283 [7.2]									
	150151023	23	10.00 [254.0]	.283 [7.2]									
I	150150225	25	2.00 [50.8]	.307 [7.8]									
	150150425	25	4.00 [101.6]	.307 [7.8]									
	150150625	25	6.00 [152.4]	.307 [7.8]									
	150150825	25	8.00 [203.2]	.307 [7.8]									
	150151025	25	10.00 [254.0]	.307 [7.8]									
	150150227	27	2.00 [50.8]	.331 [8.4]									
H	150150427	27	4.00 [101.6]	.331 [8.4]									
	150150627	27	6.00 [152.4]	.331 [8.4]									
	150150827	27	8.00 [203.2]	.331 [8.4]									
	150151027	27	10.00 [254.0]	.331 [8.4]									
	150150229	29	2.00 [50.8]	.354 [9.0]									
G	150150429	29	4.00 [101.6]	.354 [9.0]									
	150150629	29	6.00 [152.4]	.354 [9.0]									
	150150829	29	8.00 [203.2]	.354 [9.0]									
	150151029	29	10.00 [254.0]	.354 [9.0]									
	150150233	33	2.00 [50.8]	.403 [10.2]									
F	150150433	33	4.00 [101.6]	.403 [10.2]									
	150150633	33	6.00 [152.4]	.403 [10.2]									
	150150833	33	8.00 [203.2]	.403 [10.2]									
	150151033	33	10.00 [254.0]	.403 [10.2]									
	150150239	39	2.00 [50.8]	.472 [12.0]									
E	150150439	39	4.00 [101.6]	.472 [12.0]									
	150150639	39	6.00 [152.4]	.472 [12.0]									
	150150839	39	8.00 [203.2]	.472 [12.0]									
	150151039	39	10.00 [254.0]	.472 [12.0]									
	150150245	45	2.00 [50.8]	.543 [13.8]									
D	150150445	45	4.00 [101.6]	.543 [13.8]									
	150150645	45	6.00 [152.4]	.543 [13.8]									
	150150845	45	8.00 [203.2]	.543 [13.8]									
	150151045	45	10.00 [254.0]	.543 [13.8]									
	150150251	51	2.00 [50.8]	.614 [15.6]									
C	150150451	51	4.00 [101.6]	.614 [15.6]									
	150150651	51	6.00 [152.4]	.614 [15.6]									
	150150851	51	8.00 [203.2]	.614 [15.6]									
	150151051	51	10.00 [254.0]	.614 [15.6]									

- NOTES:**
- SUBSTRATE AND COVERLAY MATERIAL IS .001 [25µM] POLYIMIDE.
  - CONDUCTOR IS 1/2 OZ (.0007) [18µM] COPPER.
  - PLATING IS 2 MICRO INCHES MINIMUM OF HARD GOLD OVER 100 MICRO INCHES MINIMUM OF NICKEL.
  - TAIL ENDS ARE .008 [.20] THICK.
  - JUMPER CABLES ARE SUITABLE FOR USE WITH MOLEX 502598 SERIES CONNECTOR.

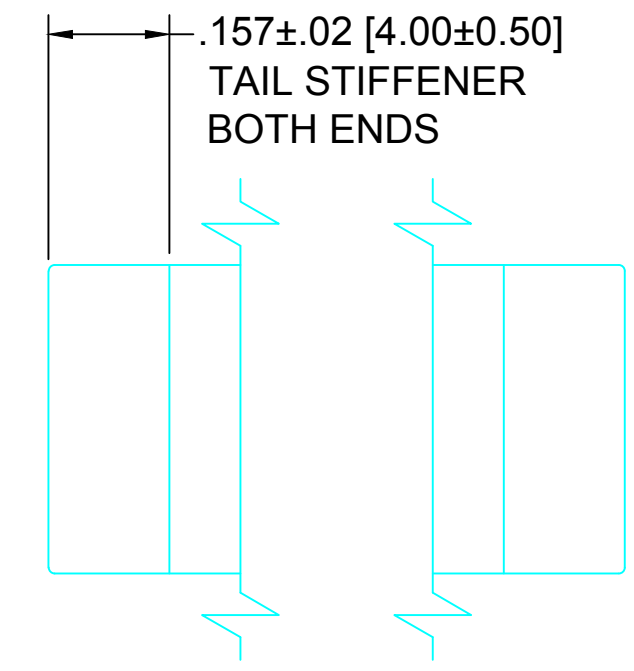


N = NUMBER OF CONDUCTORS

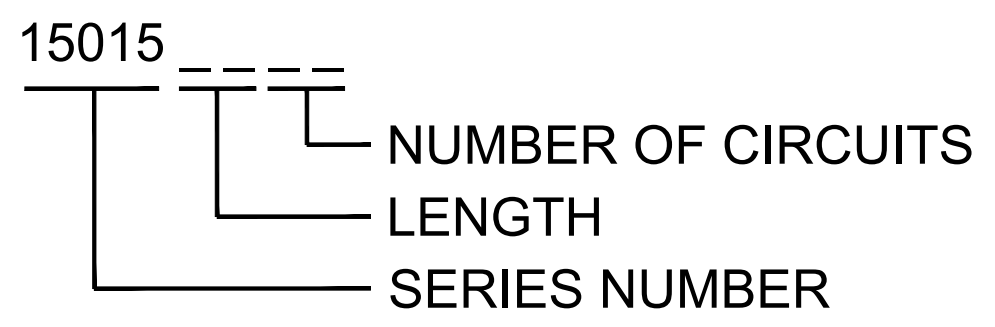
JUMPER END DETAIL  
33 CIRCUIT SHOWN



FRONT

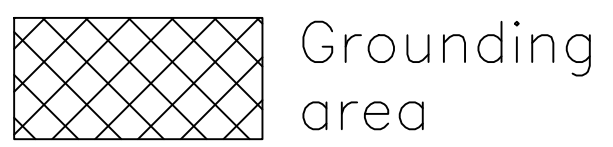
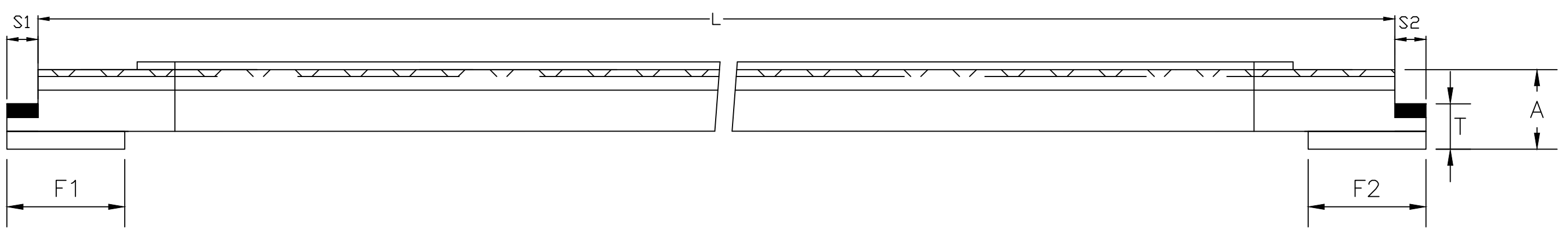


REAR

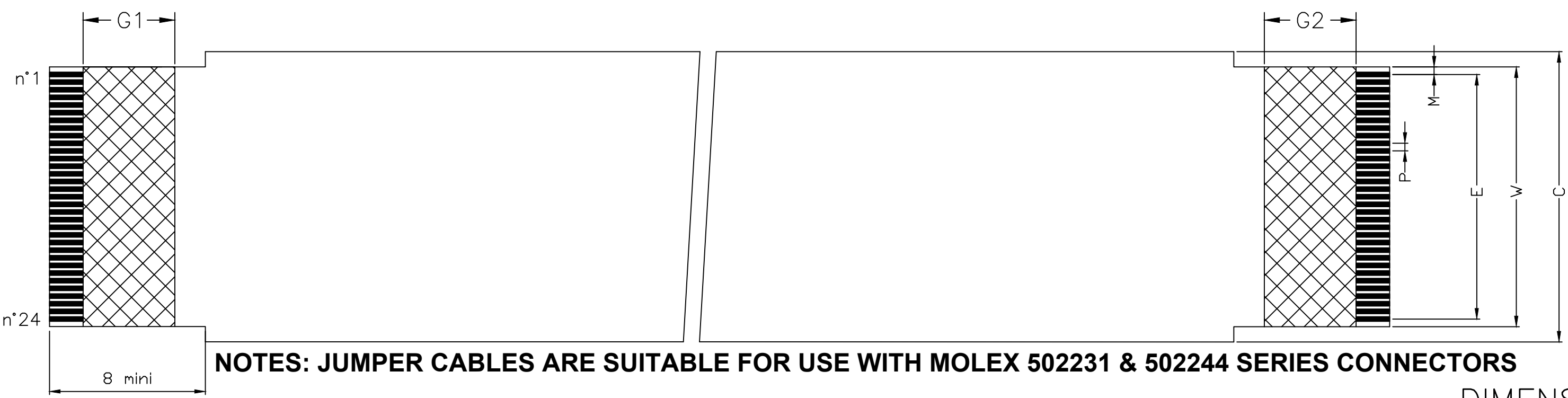


PART NUMBER CONSTRUCTION

UPDATED NOTE 5 EC NO.: USW2013-0117 DRWN: MFI 2013/01/23 B	QUALITY SYMBOL	GENERAL TOLERANCES (UNLESS SPECIFIED)		DIMENSION STYLE INCH [MM]		SCALE NONE	DESIGN UNITS METRIC	THIRD ANGLE PROJECTION	
	▽=0	4 PLACES	mm ±---	INCH ±---	DRAWN BY R PYTER	DATE 2011/09/28	TITLE .3MM PITCH JUMPER CABLES		
	∇=0	3 PLACES	±---	±.010	CHECKED BY	DATE			
		2 PLACES	±---	±.030	APPROVED BY SFULTON	DATE 2011/11/15	Molex MOLEX INCORPORATED		
		1 PLACE	±---	±---	MATERIAL NO. SEE CHART		DOCUMENT NO. SD-15015-001	SHEET NO. 1 OF 1	
	ANGULAR ±1°		DRAFT WHERE APPLICABLE MUST REMAIN WITHIN DIMENSIONS		THIS DRAWING CONTAINS INFORMATION THAT IS PROPRIETARY TO MOLEX INCORPORATED AND SHOULD NOT BE USED WITHOUT WRITTEN PERMISSION				



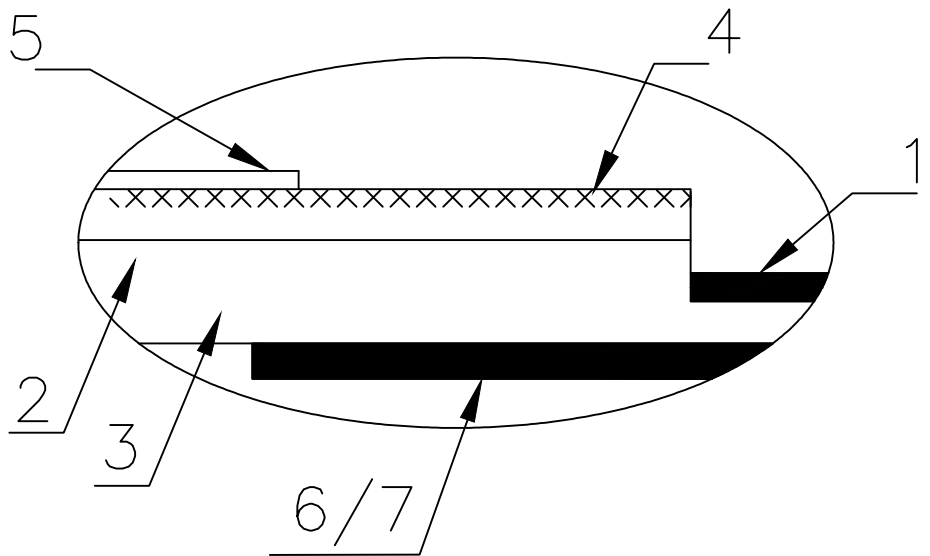
PART NO.	CKTS	LENGTH
15021-0224	24	2"
15021-0424	24	4"
15021-0624	24	6"
15021-0824	24	8"
15021-1024	24	10"
15021-1224	24	12"
15021-2424	24	24"



**NOTES: JUMPER CABLES ARE SUITABLE FOR USE WITH MOLEX 502231 & 502244 SERIES CONNECTORS**

**COMPOSITION:**

Item	COMPONENTS	UNITS	SPECIFICATIONS
1	Conductor	Material	Gold plated contacts (0.3µm Ni/0.05µm Au min)
		Width	0.23 mm nominal
		Thickness	0.055 mm nominal
2	Insulation tape	Material	Polyester+flame retardant adhesive insulation
		Thickness	0.100 mm nominal
3	Insulation tape	Material	Polyester+flame retardant adhesive insulation
		Thickness	0.100 mm nominal
4	Aluminum tape	Material	Polyester/Aluminium/Adhesive
		Thickness	0.119 mm nominal
5	Insulation tape	Material	Polyester + FR adhesive insulation
		Thickness	0.043 mm nominal
6,7	Reinforcement Tape	Material	Blue Polyester
		Thickness	0.155 mm nominal



**DIMENSIONS**

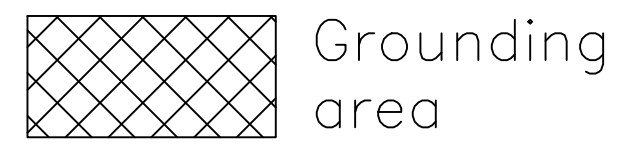
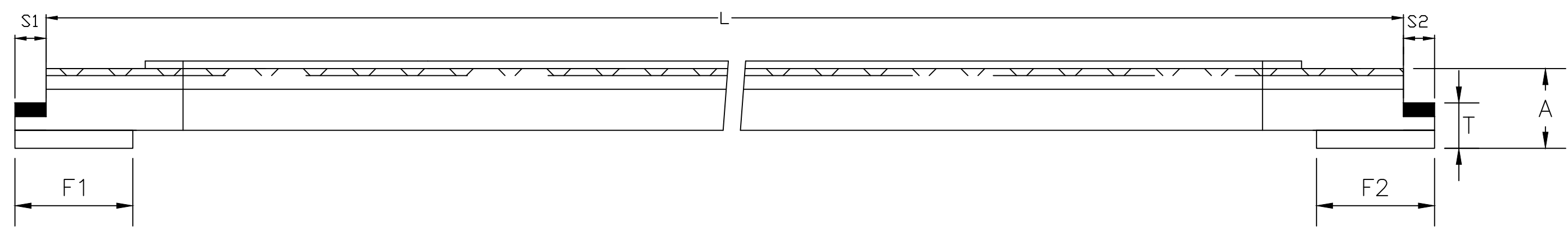
ITEMS	REP.	NOMINAL
Number of conductors		24(=28-4)
Pitch	P	0.50 ± 0.05
Span	E	11.50 ± 0.05
Width	W	12.50 ± 0.07
Total end Width	C	14.50 ± 0.15
Margin	M	0.50 ± 0.08
Strip length	S1/S2	2.2 ± 0.5
Grounding length	G1/G2	6 ± 2
End thickness	T	0.30 ± 0.05
Reinforcement length	F1/F2	7.0 ± 1.5
Thickness grounding area	A	0.50 ± 0.05

**CHARACTERISTICS**

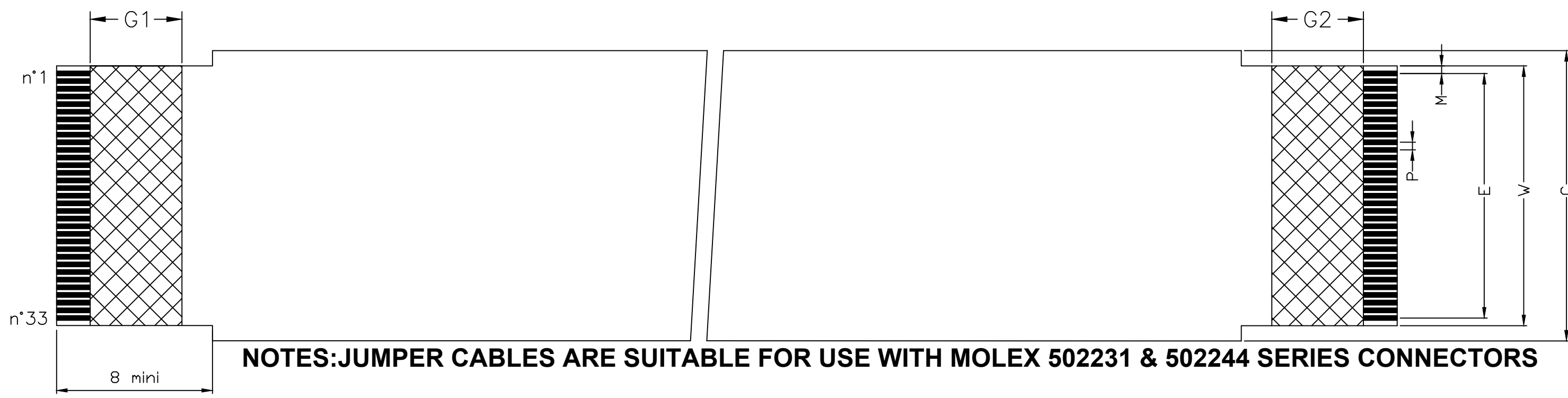
ITEMS	VALUE	TEST METHOD
Resistance of conductor at 20°C	1950 Ohm/km maxi	-
Insulation resistance (Conductor to conductor)	10 MOhm.m mini	200 V DC
Dielectric test (Conductor to conductor)	1 minute	200 V AC
Temperature rating	-40°C to 80°C	UL2896
Voltage rating	30 V AC maxi	
Flame resistance	VW-1	UL758
Differential impedance	100 Ω ± 10 Ω	-
Speed L:2"-10"	5-10 Gigabits/sec	-
Speed L:12"-24"	2-5 Gigabits/sec	-

DIMENSIONAL TOLERANCES		DIMENSIONAL TOLERANCES	
45 mm TO 60 mm	±2 mm	1.772 TO 2.400	±0.079
61 mm TO 100 mm	±3 mm	2.401 TO 3.975	±0.119
101 mm TO 200 mm	±4 mm	3.946 TO 7.912	±0.157
201 mm TO 1500 mm	±5 mm	7.913 TO 59.055	±0.197

INITIAL RELEASE	EC NO: USW2016-0198 DRWN: MD 2016/02/24	DESCRIPTION	QUALITY SYMBOL	GENERAL TOLERANCES (UNLESS SPECIFIED)		DIMENSION STYLE INCH [MM]		SCALE NONE	DESIGN UNITS METRIC	THIRD ANGLE PROJECTION			
			▽=0	mm	INCH	DRAWN BY MDIGGIKA	DATE 2016/02/25	TITLE LVDS CKTS 24					
			∇=0	4 PLACES ±---	±---	CHECKED BY	DATE						
				3 PLACES ±---	±---	APPROVED BY	DATE	MATERIAL NO. SEE CHART		DOCUMENT NO. SD-15021-024		SHEET NO. 1 OF 1	
				2 PLACES ±---	±---	ANGULAR ±1°		THIS DRAWING CONTAINS INFORMATION THAT IS PROPRIETARY TO MOLEX INCORPORATED AND SHOULD NOT BE USED WITHOUT WRITTEN PERMISSION					
	1 PLACE ±---	±---	DRAFT WHERE APPLICABLE MUST REMAIN WITHIN DIMENSIONS										



PART NO.	CKTS	LENGTH
15021-0233	33	2"
15021-0433	33	4"
15021-0633	33	6"
15021-0833	33	8"
15021-1033	33	10"
15021-1233	33	12"
15021-2433	33	24"



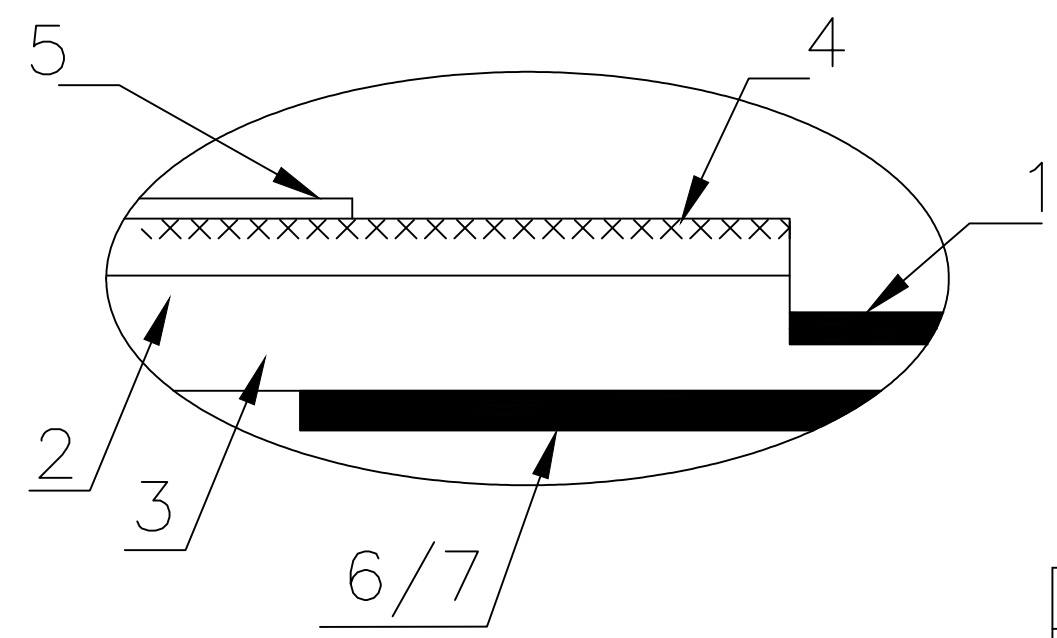
**NOTES: JUMPER CABLES ARE SUITABLE FOR USE WITH MOLEX 502231 & 502244 SERIES CONNECTORS**

**COMPOSITION**

Item	COMPONENTS	UNITS	SPECIFICATIONS
1	Conductor	Material	Gold plated contacts (0.3µm Ni/0.05µm Au min)
		Width	mm 0.23 mm nominal
		Thickness	mm 0.055 mm nominal
2	Insulation tape	Material	Polyester+flame retardant adhesive insulation
		Thickness	mm 0.100 mm nominal
3	Insulation tape	Material	Polyester+flame retardant adhesive insulation
		Thickness	mm 0.100 mm nominal
4	Aluminum tape	Material	Polyester/Aluminium/Adhesive
		Thickness	mm 0.119 mm nominal
5	Insulation tape	Material	Polyester + FR adhesive insulation
		Thickness	mm 0.043 mm nominal
6,7	Reinforcement Tape	Material	Blue Polyester
		Thickness	mm 0.155 mm nominal

**DIMENSIONS**

ITEMS	REP.	NOMINAL
Number of conductors		33(=37-4)
Pitch	P	0.50 ± 0.05
Span	E	16.00 ± 0.05
Width	W	17.00 ± 0.07
Total end Width	C	19.00 ± 0.15
Margin	M	0.50 ± 0.08
Strip length	S1/S2	2.2 ± 0.5
Grounding length	G1/G2	6 ± 2
End thickness	T	0.30 ± 0.05
Reinforcement length	F1/F2	7.0 ± 1.5
Thickness grounding area	A	0.50 ± 0.05

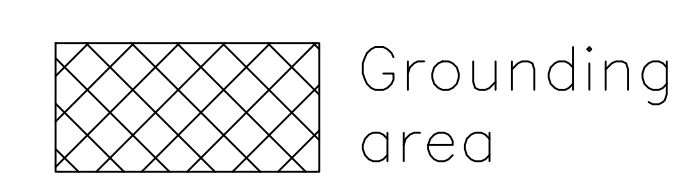
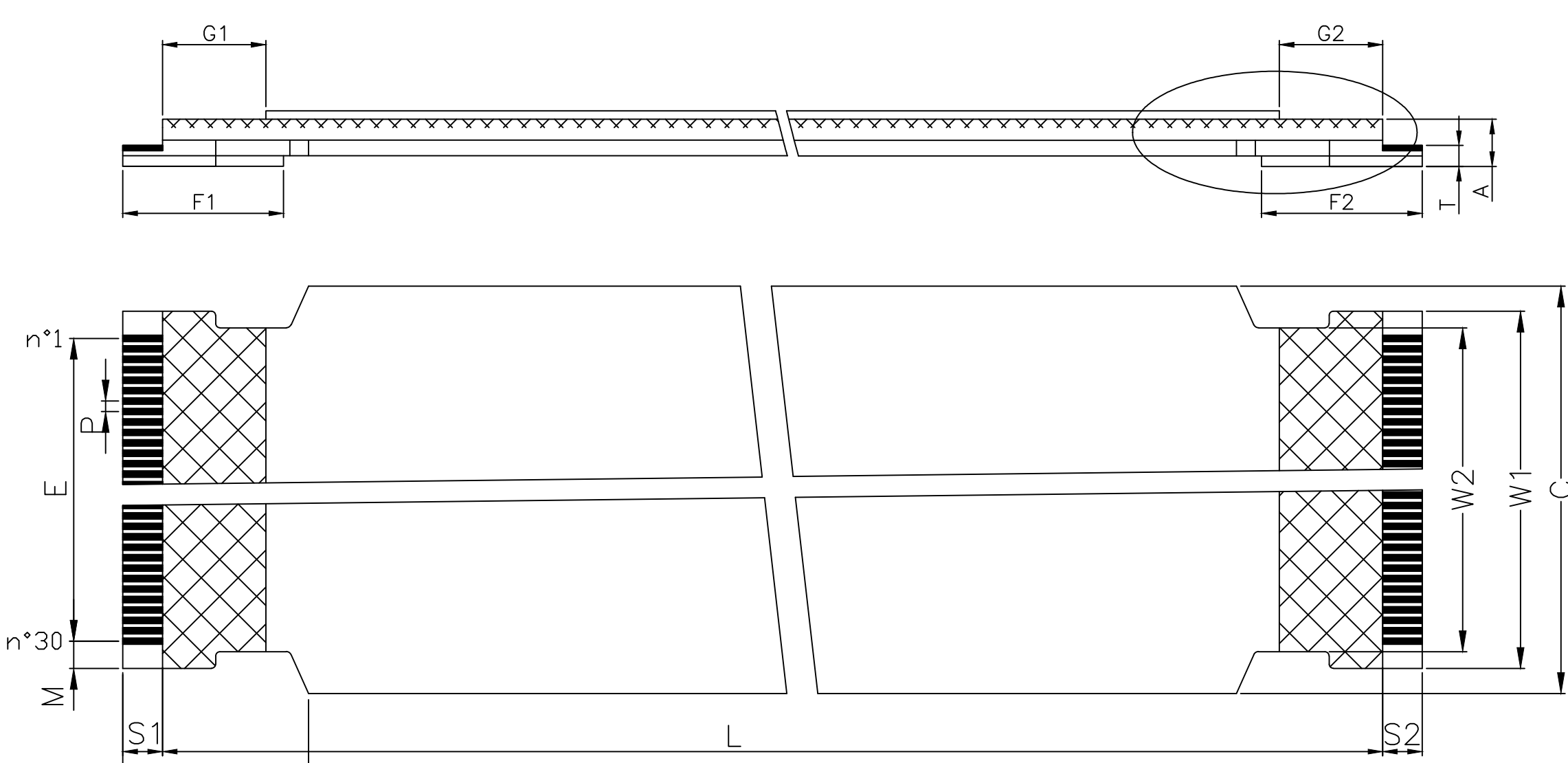


**CHARACTERISTICS**

ITEMS	VALUE	TEST METHOD
Resistance of conductor at 20°C	1950 Ohm/km maxi	—
Insulation resistance (Conductor to conductor)	10 MOhm.m mini	200 V DC
Dielectric test (Conductor to conductor)	1 minute	200 V AC
Temperature rating	-40°C to 80°C	UL2896
Voltage rating	30 V AC maxi	
Flame resistance	VW-1	UL758
Differential impedance	100 Ω ± 10 Ω	—
Length L: 2"-10"	5-10 Gigabits/sec	—
Length L: 12"-24"	2-5 Gigabits/sec	—

DIMENSIONAL TOLERANCES		DIMENSIONAL TOLERANCES	
45 mm TO 60 mm	±2 mm	1.772 TO 2.400	±0.079
61 mm TO 100 mm	±3 mm	2.401 TO 3.975	±0.119
101 mm TO 200 mm	±4 mm	3.976 TO 7.912	±0.157
201 mm TO 1500 mm	±5 mm	7.913 TO 59.055	±0.197

INITIAL RELEASE EC NO: USW2016-0198 DRWN: MD 2016/02/24	QUALITY SYMBOL	GENERAL TOLERANCES (UNLESS SPECIFIED)		DIMENSION STYLE INCH [MM]		SCALE NONE	DESIGN UNITS METRIC	THIRD ANGLE PROJECTION		
	▼=0 ▽=0	4 PLACES	mm	INCH	DRAWN BY MDIGGIKA	DATE 2016/02/25	TITLE LVDS CKTS 33			
		3 PLACES	±---	±---	CHECKED BY	DATE				
		2 PLACES	±---	±---	APPROVED BY	DATE				
		1 PLACE	±---	±---	MATERIAL NO. SEE CHART		DOCUMENT NO. SD-15021-033	SHEET NO. 1 OF 1		
A	REV	ANGULAR ±1°		DRAFT WHERE APPLICABLE MUST REMAIN WITHIN DIMENSIONS		Molex MOLEX INCORPORATED				
THIS DRAWING CONTAINS INFORMATION THAT IS PROPRIETARY TO MOLEX INCORPORATED AND SHOULD NOT BE USED WITHOUT WRITTEN PERMISSION										

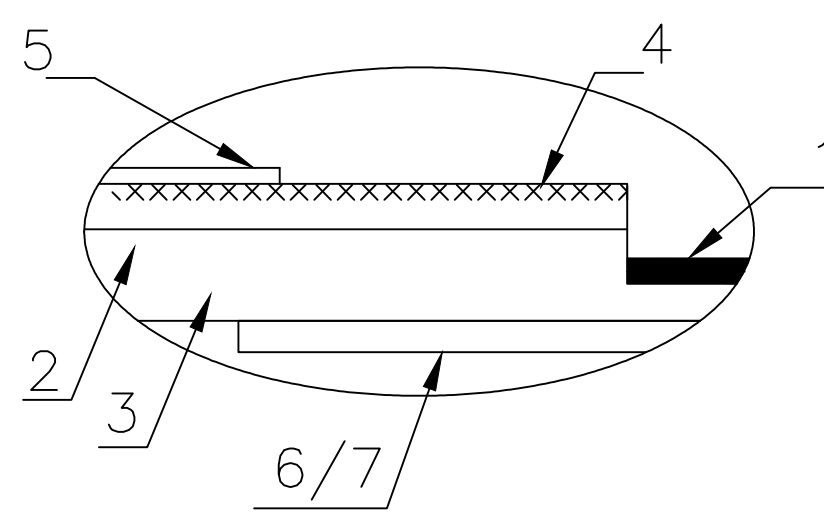


PART NO.	CKTS	LENGTH
15022-0230	30	2"
15022-0430	30	4"
15022-0630	30	6"
15022-0830	30	8"
15022-1030	30	10"
15022-1230	30	12"
15022-2430	30	24"

**CABLE ENDS COMPATIBLE WITH MOLEX 501786 & 501864 CONNECTORS. USE WITH PLUG JACKET AND COVER.**

**COMPOSITION:**

Item	COMPONENTS	UNITS	SPECIFICATIONS
1	Conductor	Material	Gold plated contacts (0.3µm Ni/0.05µm Au min)
		Width	mm 0.23 mm nominal
		Thickness	mm 0.055 mm nominal
2	Insulation tape	Material	Polyester+flame retardant adhesive insulation
		Thickness	mm 0.100 mm nominal
3	Insulation tape	Material	Polyester+flame retardant adhesive insulation
		Thickness	mm 0.100 mm nominal
4	Aluminum tape	Material	Polyester/Aluminium/Adhesive
		Thickness	mm 0.119 mm nominal
5	Insulation tape	Material	Polyester + FR adhesive insulation
		Thickness	mm 0.043 mm nominal
6,7	Reinforcement Tape	Material	Blue Polyester
		Thickness	mm 0.155 mm nominal



**DIMENSIONS:**

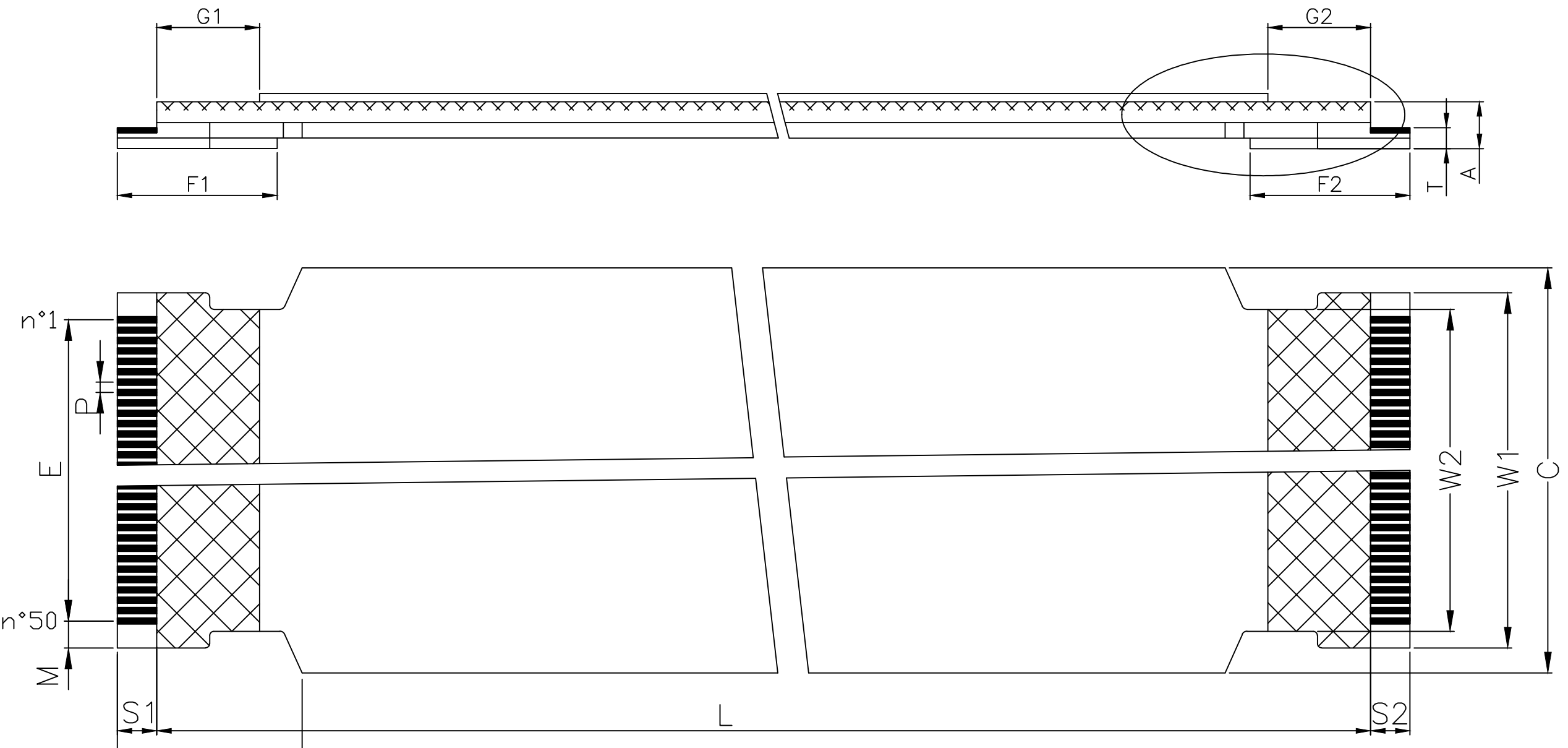
ITEMS	MARK	NOMINAL	MINIMUM	MAXIMUM
Number of conductors		30	30	30
Pitch	[mm] P	0.50 ± 0.05	0.45	0.55
Span	[mm] E	14.50 ± 0.06	14.44	14.56
Total width cable body	[mm] C	19.5 ± 0.2	19.3	19.7
Punched total width	[mm] W1	17.10 ± 0.04	17.06	17.14
Punched width	[mm] W2	15.5 ± 0.05	15.45	15.55
Margin notched	[mm] M	1.30 ± 0.06	1.24	1.36
End thickness	[mm] T	0.30 ± 0.05	0.25	0.35
Thickness grounding area	[mm] A	0.50 ± 0.05	0.45	0.55
Reinforcement length	[mm] F1,F2	7.7 ± 1.5	6.2	9.2
Strip length	[mm] S1,S2	1.9 ± 0.5	1.4	2.4
Grounding length	[mm] G1,G2	6 ± 2	4	8

**CHARACTERISTICS**

ITEMS	VALUE	TEST METHOD
Resistance of conductor at 20°C	1950 Ohm/km maxi	-
Insulation resistance (Conductor to conductor)	10 MOhm.m mini	200 V DC
Dielectric test (Conductor to conductor)	1 minute	200 V AC
Temperature rating	-40°C to 80°C	UL2896
Voltage rating	30 V AC maxi	
Flame resistance	VW-1	UL758
Differential impedance	100 Ω ± 10 Ω	-
Speed L: 2"-10"	5-10 Gigabits/sec	-
Speed L: 12"-24"	2-5 Gigabits/sec	-

DIMENSIONAL TOLERANCES		DIMENSIONAL TOLERANCES	
45 mm TO 60 mm	±2 mm	1.772 TO 2.400	±0.079
61 mm TO 100 mm	±3 mm	2.401 TO 3.975	±0.119
101 mm TO 200 mm	±4 mm	3.976 TO 7.912	±0.157
201 mm TO 1500 mm	±5 mm	7.913 TO 59.055	±0.197

INITIAL RELEASE EC NO: USW2016-0198 DRWN: MD 2016/02/24	QUALITY SYMBOL ▼=0 ▽=0	GENERAL TOLERANCES (UNLESS SPECIFIED) mm INCH 4 PLACES ±--- ±--- 3 PLACES ±--- ±--- 2 PLACES ±--- ±--- 1 PLACE ±--- ±---	DIMENSION STYLE INCH [MM] DRAWN BY DATE MDIGGIKA 2016/02/25 CHECKED BY DATE --- --- APPROVED BY DATE --- ---	SCALE NONE DESIGN UNITS METRIC THIRD ANGLE PROJECTION	TITLE LVDS CKTS 30	
	MATERIAL NO. SEE CHART	DOCUMENT NO. SD-15022-030	SHEET NO. 1 OF 1	Molex <b>MOLEX INCORPORATED</b>		
	THIS DRAWING CONTAINS INFORMATION THAT IS PROPRIETARY TO MOLEX INCORPORATED AND SHOULD NOT BE USED WITHOUT WRITTEN PERMISSION					
	DRAFT WHERE APPLICABLE MUST REMAIN WITHIN DIMENSIONS	SIZE C				



Grounding area

PART NO.	CKTS	LENGTH
15022-0250	50	2"
15022-0450	50	4"
15022-0650	50	6"
15022-0850	50	8"
15022-1050	50	10"
15022-1250	50	12"
15022-2450	50	24"

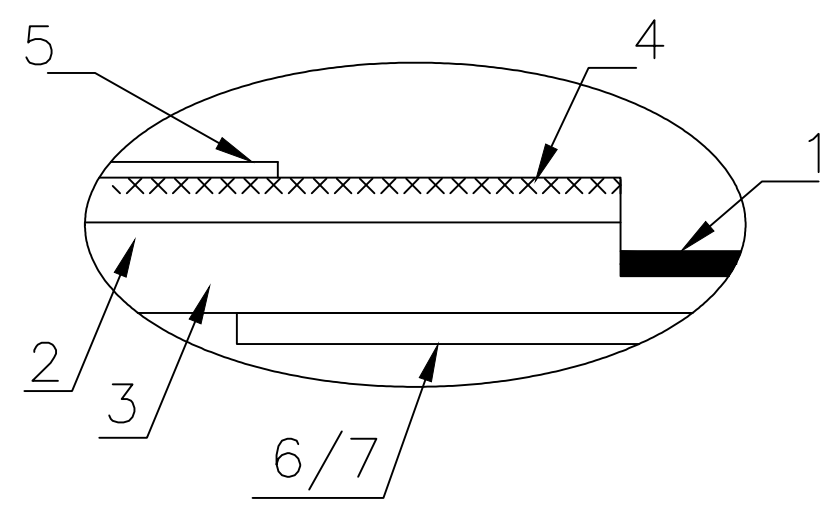
**CABLE ENDS COMPATIBLE WITH MOLEX 501786 & 501864 CONNECTORS.  
USE WITH PLUG JACKET AND COVER.**

**DIMENSIONS:**

ITEMS	MARK	NOMINAL	MINIMUM	MAXIMUM
Number of conductors		50	50	50
Pitch	[mm] P	0.50 ± 0.05	0.45	0.55
Span	[mm] E	24.50 ± 0.06	24.44	24.56
Total width cable body	[mm] C	29.5 ± 0.2	29.3	29.7
Punched total width	[mm] W1	27.10 ± 0.04	27.06	27.14
Punched width	[mm] W2	25.5 ± 0.05	25.45	25.55
Margin notched	[mm] M	1.30 ± 0.06	1.24	1.36
End thickness	[mm] T	0.30 ± 0.03	0.27	0.33
Thickness grounding area	[mm] A	0.50 ± 0.05	0.45	0.55
Reinforcement length	[mm] F1,F2	7.7 ± 1.5	6.2	9.2
Strip length	[mm] S1,S2	1.9 ± 0.5	1.4	2.4
Grounding length	[mm] G1,G2	6 ± 2	4	8

**COMPOSITION:**

Item	COMPONENTS	UNITS	SPECIFICATIONS
1	Conductor	Material	Gold plated contacts (0.3µm Ni/0.05µm Au min)
		Width	0.23 mm nominal
		Thickness	0.055 mm nominal
2	Insulation tape	Material	Polyester+flame retardant adhesive insulation
		Thickness	0.100 mm nominal
3	Insulation tape	Material	Polyester+flame retardant adhesive insulation
		Thickness	0.100 mm nominal
4	Aluminum tape	Material	Polyester/Aluminium/Adhesive
		Thickness	0.119 mm nominal
5	Insulation tape	Material	Polyester + FR adhesive insulation
		Thickness	0.043 mm nominal
6,7	Reinforcement Tape	Material	Blue Polyester
		Thickness	0.155 mm nominal

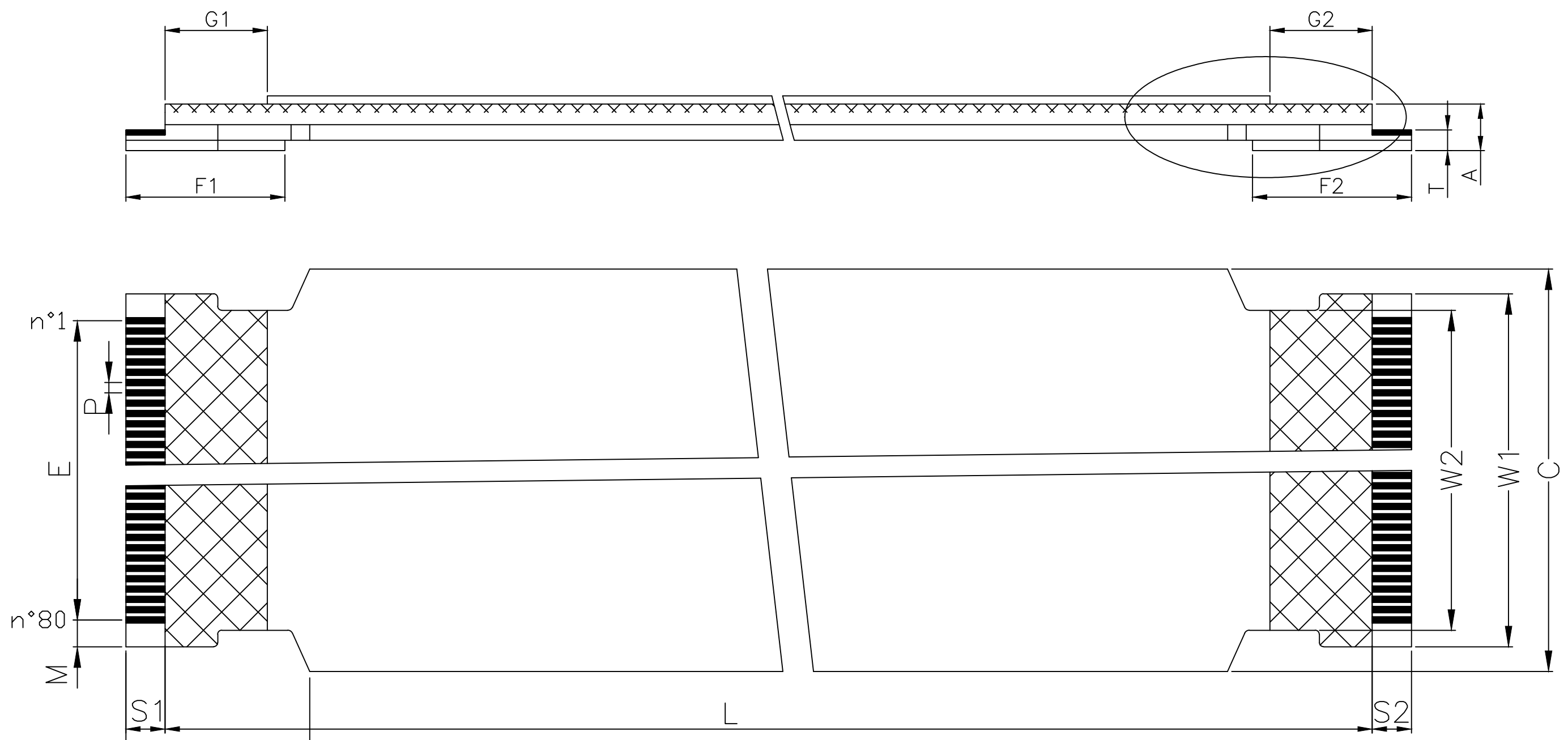


DIMENSIONAL TOLERANCES		DIMENSIONAL TOLERANCES	
45 mm TO 60 mm	±2 mm	1.772 TO 2.400	±0.079
61 mm TO 100 mm	±3 mm	2.401 TO 3.975	±0.119
101 mm TO 200 mm	±4 mm	3.976 TO 7.912	±0.157
201 mm TO 1500 mm	±5 mm	7.913 TO 59.055	±0.197

**CHARACTERISTICS**

ITEMS	VALUE	TEST METHOD
Resistance of conductor at 20°C	1950 Ohm/km maxi	-
Insulation resistance (Conductor to conductor)	10 MOhm.m mini	200 V DC
Dielectric test (Conductor to conductor)	1 minute	200 V AC
Temperature rating	-40°C to 80°C	UL2896
Voltage rating	30 V AC maxi	
Flame resistance	VW-1	UL758
Differential impedance	100 Ω ± 10 Ω	-
Speed L: 2"-10"	5-10 Gigabits/sec	-
Speed L: 12"-24"	2-5 Gigabits/sec	-

INITIAL RELEASE EC NO: USW2016-0198 DRWN: MD 2016/02/24	QUALITY SYMBOL ▽=0 ▽C=0	GENERAL TOLERANCES (UNLESS SPECIFIED) mm INCH 4 PLACES ±--- ±--- 3 PLACES ±--- ±--- 2 PLACES ±--- ±--- 1 PLACE ±--- ±---	DIMENSION STYLE INCH [MM] DRAWN BY DATE MDIGGIKA 2016/02/25 CHECKED BY DATE ---- APPROVED BY DATE ----	SCALE NONE DESIGN UNITS METRIC THIRD ANGLE PROJECTION	TITLE LVDS CKTS 50
	DRAFT WHERE APPLICABLE MUST REMAIN WITHIN DIMENSIONS		MATERIAL NO. SEE CHART	Molex MOLEX INCORPORATED	SHEET NO. 1 OF 1
	THIS DRAWING CONTAINS INFORMATION THAT IS PROPRIETARY TO MOLEX INCORPORATED AND SHOULD NOT BE USED WITHOUT WRITTEN PERMISSION				
	DOCUMENT NO. SD-15022-050				
	SIZE C				



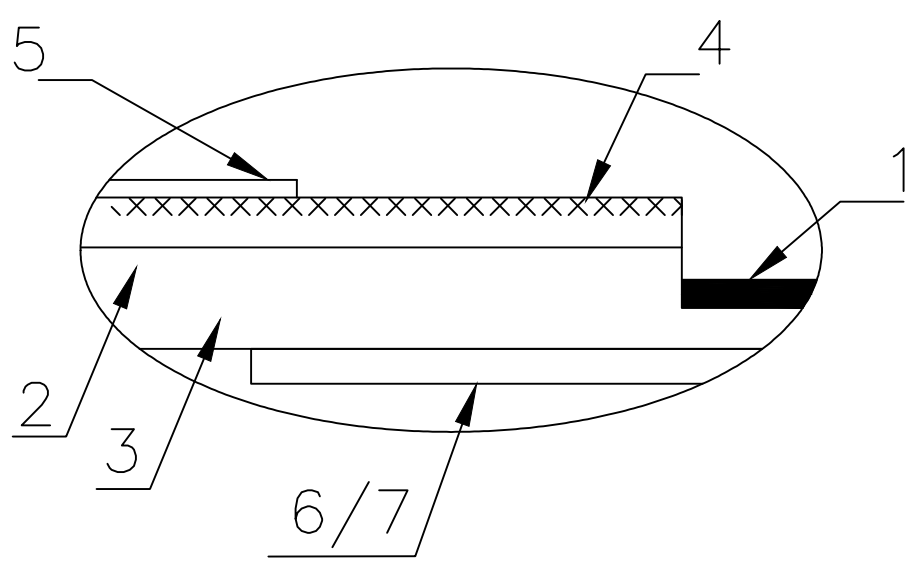
Grounding area

PART NO.	CKTS	LENGTH
15022-0280	80	2"
15022-0480	80	4"
15022-0680	80	6"
15022-0880	80	8"
15022-1080	80	10"
15022-1280	80	12"
15022-2480	80	24"

**CABLE ENDS COMPATIBLE WITH MOLEX 501786 & 501864 CONNECTORS.  
USE WITH PLUG JACKET AND COVER.**

**COMPOSITION:**

Item	COMPONENTS	UNITS	SPECIFICATIONS
1	Conductor	Material	- Gold plated contacts (0.3µm Ni/0.05µm Au min)
		Width	mm 0.23 mm nominal
		Thickness	mm 0.055 mm nominal
2	Insulation tape	Material	- Polyester+flame retardant adhesive insulation
		Thickness	mm 0.100 mm nominal
3	Insulation tape	Material	- Polyester+flame retardant adhesive insulation
		Thickness	mm 0.100 mm nominal
4	Aluminum tape	Material	- Polyester/Aluminium/Adhesive
		Thickness	mm 0.119 mm nominal
5	Insulation tape	Material	- Polyester + FR adhesive insulation
		Thickness	mm 0.043 mm nominal
6,7	Reinforcement Tape	Material	- Blue Polyester
		Thickness	mm 0.155 mm nominal



**DIMENSIONS:**

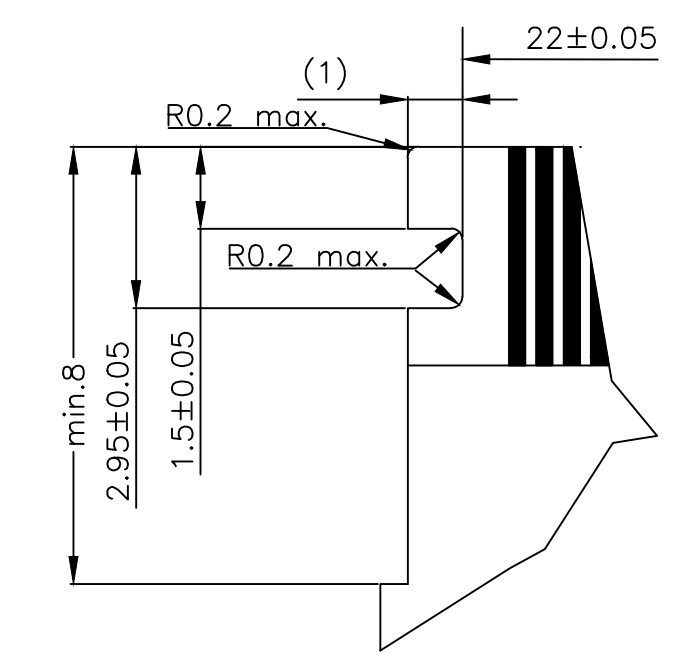
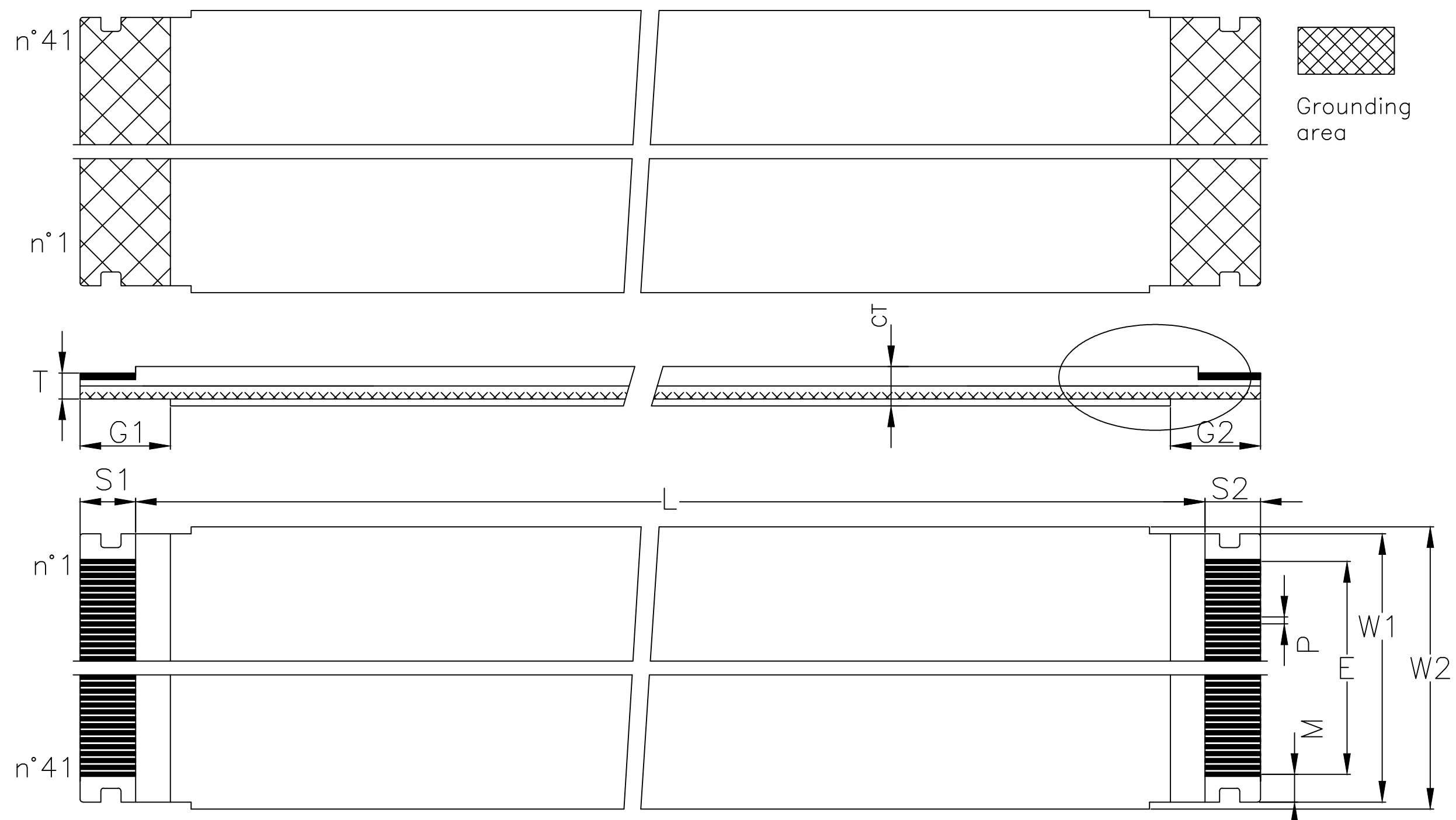
ITEMS	MARK	NOMINAL	MINIMUM	MAXIMUM
Number of conductors		80	80	80
Pitch	[mm] P	0.50 ± 0.05	0.45	0.55
Span	[mm] E	39.50 ± 0.06	39.44	39.56
Total width cable body	[mm] C	44.5 ± 0.2	44.3	44.7
Punched total width	[mm] W1	42.10 ± 0.04	42.06	42.14
Punched width	[mm] W2	40.5 ± 0.05	40.45	40.55
Margin notched	[mm] M	1.30 ± 0.06	1.24	1.36
End thickness	[mm] T	0.30 ± 0.03	0.27	0.33
Thickness grounding area	[mm] A	0.50 ± 0.05	0.45	0.55
Reinforcement length	[mm] F1,F2	7.7 ± 1.5	6.2	9.2
Strip length	[mm] S1,S2	1.9 ± 0.5	1.4	2.4
Grounding length	[mm] G1,G2	6 ± 2	4	8

DIMENSIONAL TOLERANCES		DIMENSIONAL TOLERANCES	
45 mm TO 60 mm	±2 mm	1.772 TO 2.400	±0.079
61 mm TO 100 mm	±3 mm	2.401 TO 3.975	±0.119
101 mm TO 200 mm	±4 mm	3.976 TO 7.912	±0.157
201 mm TO 1500 mm	±5 mm	7.913 TO 59.055	±0.197

**CHARACTERISTICS**

ITEMS	VALUE	TEST METHOD
Resistance of conductor at 20°C	1950 Ohm/km maxi	-
Insulation resistance (Conductor to conductor)	10 MOhm.m mini	200 V DC
Dielectric test (Conductor to conductor)	1 minute	200 V AC
Temperature rating	-40°C to 80°C	UL2896
Voltage rating	30 V AC maxi	
Flame resistance	VW-1	UL758
Differential impedance	100 Ω ± 10 Ω	-
Speed L: 2"-10"	5-10 Gigabits/sec	-
Speed L: 12"-24"	2-5 Gigabits/sec	-

INITIAL RELEASE EC NO: USW2016-0198 DRWN: MD 2016/02/24	QUALITY SYMBOL	GENERAL TOLERANCES (UNLESS SPECIFIED)		DIMENSION STYLE INCH [MM]		SCALE NONE	DESIGN UNITS METRIC	THIRD ANGLE PROJECTION		
	$\nabla=0$ $\sphericalangle=0$	4 PLACES	mm	INCH	DRAWN BY MDIGGIKA	DATE 2016/02/25	TITLE LVDS CKTS 80			
		3 PLACES	±---	±---	CHECKED BY	DATE				
		2 PLACES	±---	±---	APPROVED BY	DATE	Molex MOLEX INCORPORATED			
		1 PLACE	±---	±---	MATERIAL NO.	DATE				
A	REV	ANGULAR ±1°		DRAFT WHERE APPLICABLE MUST REMAIN WITHIN DIMENSIONS		THIS DRAWING CONTAINS INFORMATION THAT IS PROPRIETARY TO MOLEX INCORPORATED AND SHOULD NOT BE USED WITHOUT WRITTEN PERMISSION				

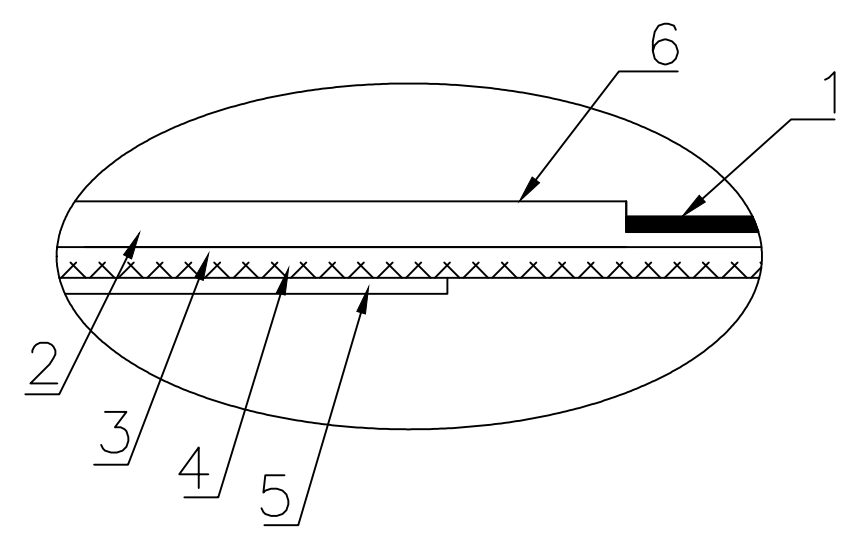


PART NO.	CKTS	LENGTH
15023-0241	41	2"
15023-0441	41	4"
15023-0641	41	6"
15023-0841	41	8"
15023-1041	41	10"
15023-1241	41	12"
15023-2441	41	24"

**CABLE ENDS COMPATIBLE WITH MOLEX 503908 CONNECTOR**

**COMPOSITION:**

Item	COMPONENTS	UNITS	SPECIFICATIONS
1	Conductor	Material	Gold plated contacts(0.8µm Ni/0.12µm Au min)
		Width	0.30±0.02 mm
		Thickness	0.050 mm nominal
2	Insulation tape	Material	Polyester+flame retardant adhesive insulation
		Thickness	0.086 mm nominal
3	Insulation tape	Material	Polyester+flame retardant adhesive insulation
		Thickness	0.086 mm nominal
4	Aluminum tape	Material	Polyester/Aluminum/Adhesive
		Thickness	0.119 mm nominal
5	Insulation tape	Material	Polyester+flame retardant adhesive insulation
		Thickness	0.043 mm nominal
6	Insulation tape	Material	Polyester+flame retardant adhesive insulation
		Thickness	0.043 mm nominal



**DIMENSIONS:**

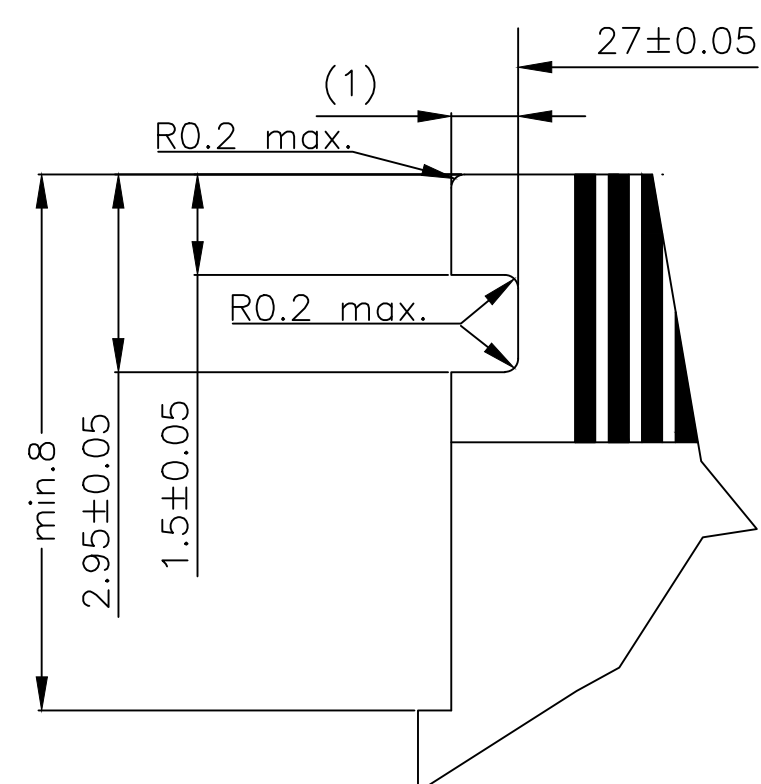
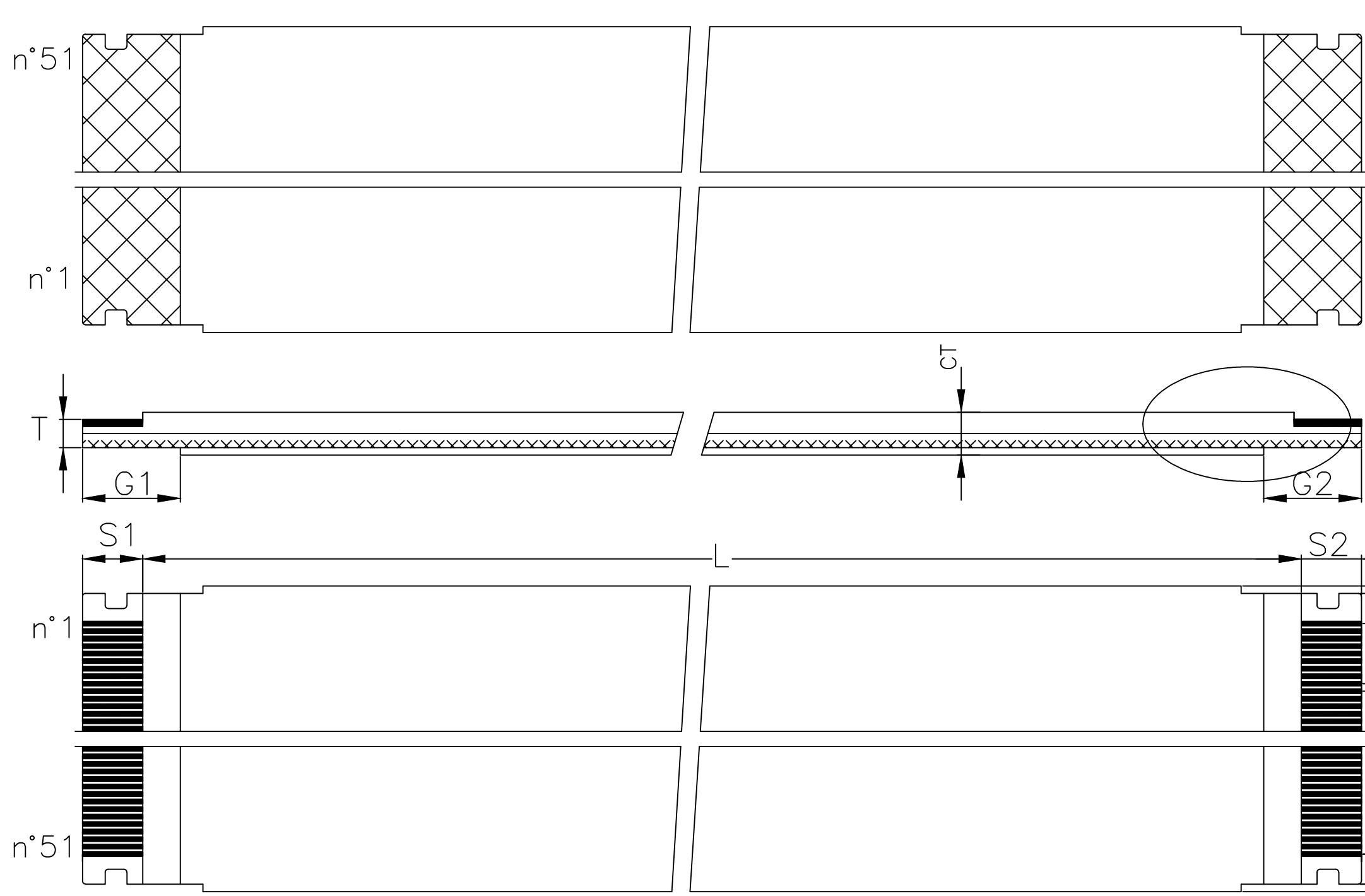
ITEMS	MARK	NOMINAL	MINIMUM	MAXIMUM
Number of conductors		41	41	41
Pitch [mm]	P	0.50 ± 0.05	0.45	0.55
Span [mm]	E	20.00 ± 0.05	19.95	20.05
Total width [mm]	W1	24.00 ± 0.04	23.96	24.04
Total width cable body [mm]	W2	25.0 ± 0.1	24.9	25.1
Margin notched [mm]	M	2.00 ± 0.08	1.92	2.08
End thickness [mm]	T	0.33 ± 0.03	0.30	0.36
Cable thickness [mm]	CT	0.425 ± 0.05	0.375	0.475
Strip length [mm]	S1,S2	4.0 ± 0.5	3.5	4.5
Grounding length [mm]	G1,G2	6 ± 2	4	8

**CHARACTERISTICS**

ITEMS	VALUE	TEST METHOD
Resistance of conductor	1460 Ω/km maxi	-
Conductor to conductor insulation resistance	10 MΩ.m mini	200 V DC
Dielectric test (conductor to conductor)	1 minute	200 V AC
Temperature rating	-40°C / +80°C	UL2896
Voltage rating	30 V AC maxi	UL2896
Flame resistance	VW - 1	UL 758
Differential impedance	100 ±10 Ohms	-
Speed L: 2"-10"	5-10 Gigabits/sec	-
Speed L: 12"-24"	2-5 Gigabits/sec	-

DIMENSIONAL TOLERANCES		DIMENSIONAL TOLERANCES	
45 mm TO 60 mm	±2 mm	1.772 TO 2.400	±0.079
61 mm TO 100 mm	±3 mm	2.401 TO 3.975	±0.119
101 mm TO 200mm	±4 mm	3.976 TO 7.912	±0.157
201mm TO 1500mm	±5 mm	7.913 TO 59.055	±0.197

INITIAL RELEASE EC NO: USW2016-0198 DRWN: MD 2016/02/24	QUALITY SYMBOL	GENERAL TOLERANCES (UNLESS SPECIFIED)		DIMENSION STYLE INCH [MM]		SCALE NONE	DESIGN UNITS METRIC	THIRD ANGLE PROJECTION		
	▼=0	mm	INCH	DRAWN BY MDIGGIKA	DATE 2016/02/25	TITLE LVDS CKTS 41				
	∇=0	4 PLACES ±---	±---	CHECKED BY	DATE					
		3 PLACES ±---	±---	APPROVED BY		DATE	Molex MOLEX INCORPORATED			
		2 PLACES ±---	±---	MATERIAL NO.		DATE				
A	REV	ANGULAR ±1°		DRAFT WHERE APPLICABLE MUST REMAIN WITHIN DIMENSIONS		THIS DRAWING CONTAINS INFORMATION THAT IS PROPRIETARY TO MOLEX INCORPORATED AND SHOULD NOT BE USED WITHOUT WRITTEN PERMISSION				

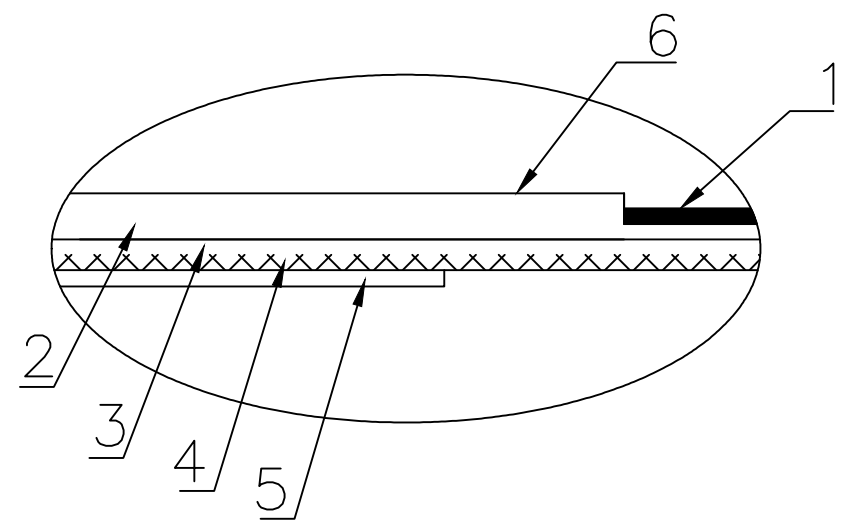


PART NO.	CKTS	LENGTH
15023-0251	51	2"
15023-0451	51	4"
15023-0651	51	6"
15023-0851	51	8"
15023-1051	51	10"
15023-1251	51	12"
15023-2451	51	24"

**CABLE ENDS COMPATIBLE WITH MOLEX 503908 CONNECTOR**

**COMPOSITION:**

Item	COMPONENTS	UNITS	SPECIFICATIONS
1	Conductor	Material	- Gold plated contacts (0.8µm Ni/0.12µm Au min)
		Width	mm 0.30±0.02 mm
		Thickness	mm 0.050 mm nominal
2	Insulation tape	Material	- Polyester+flame retardant adhesive insulation
		Thickness	mm 0.086 mm nominal
3	Insulation tape	Material	- Polyester+flame retardant adhesive insulation
		Thickness	mm 0.086 mm nominal
4	Aluminum tape	Material	- Polyester/Aluminum/Adhesive
		Thickness	mm 0.119 mm nominal
5	Insulation tape	Material	- Polyester+flame retardant adhesive insulation
		Thickness	mm 0.043 mm nominal
6	Insulation tape	Material	- Polyester+flame retardant adhesive insulation
		Thickness	mm 0.043 mm nominal



**DIMENSIONS:**

ITEMS	MARK	NOMINAL	MINIMUM	MAXIMUM
Number of conductors		51	51	51
Pitch [mm]	P	0.50 ± 0.05	0.45	0.55
Span [mm]	E	25.00 ± 0.05	24.95	25.05
Total width [mm]	W1	29.00 ± 0.04	28.96	29.04
Total width cable body [mm]	W2	30.0 ± 0.1	29.9	30.1
Margin notched [mm]	M	2.00 ± 0.08	1.92	2.08
End thickness [mm]	T	0.33 ± 0.03	0.30	0.36
Cable thickness [mm]	CT	0.425 ± 0.05	0.375	0.475
Strip length [mm]	S1,S2	4.0 ± 0.5	3.5	4.5
Grounding length [mm]	G1,G2	6 ± 2	4	8

**CHARACTERISTICS**

ITEMS	VALUE	TEST METHOD
Resistance of conductor	1460 Ω/km maxi	-
Conductor to conductor insulation resistance	10 MΩ.m mini	200 V DC
Dielectric test (conductor to conductor)	1 minute	200 V AC
Temperature rating	-40°C / +80°C	UL2896
Voltage rating	30 V AC maxi	UL2896
Flame resistance	VW - 1	UL 758
Differential impedance	100 ±10 Ohms	-
Speed L: 2"-10"	5-10 Gigabits/sec	-
Speed L: 12"-14"	2-5 Gigabits/sec	-

DIMENSIONAL TOLERANCES		DIMENSIONAL TOLERANCES	
45 mm TO 60 mm	±2 mm	1.772 TO 2.400	±0.079
61 mm TO 100 mm	±3 mm	2.401 TO 3.975	±0.119
101 mm TO 200 mm	±4 mm	3.976 TO 7.912	±0.157
201 mm TO 1500 mm	±5 mm	7.913 TO 59.055	±0.197

INITIAL RELEASE EC NO: USW2016-0198 DRWN: MD 2016/02/24	QUALITY SYMBOL ▼=0 ▽=0	GENERAL TOLERANCES (UNLESS SPECIFIED) mm INCH 4 PLACES ±--- ±--- 3 PLACES ±--- ±--- 2 PLACES ±--- ±--- 1 PLACE ±--- ±---	DIMENSION STYLE INCH [MM] DRAWN BY DATE MDIGGIKA 2016/02/25 CHECKED BY DATE --- APPROVED BY DATE ---	SCALE NONE DESIGN UNITS METRIC THIRD ANGLE PROJECTION	TITLE LVDS CKTS 51
	ANGULAR ±1° DRAFT WHERE APPLICABLE MUST REMAIN WITHIN DIMENSIONS		MATERIAL NO. SEE CHART	Molex MOLEX INCORPORATED	SHEET NO. 1 OF 1
	THIS DRAWING CONTAINS INFORMATION THAT IS PROPRIETARY TO MOLEX INCORPORATED AND SHOULD NOT BE USED WITHOUT WRITTEN PERMISSION				
	DOCUMENT NO. SD-15023-051				
	SIZE C				