



UVPP

## PROJECT INFORMATION

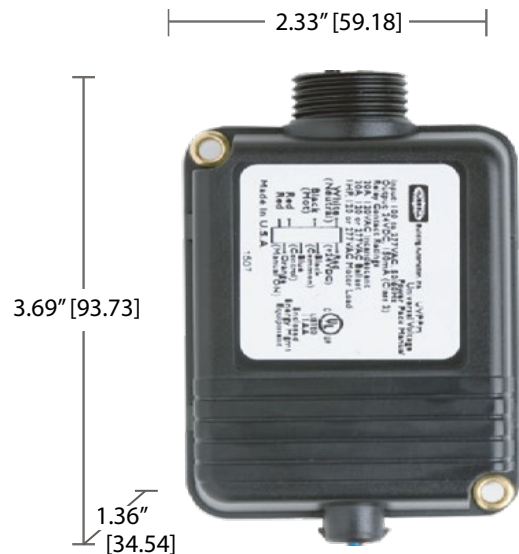
Project Name	
Catalog No.	Date

The Universal Voltage Power Pack (UVPP) is a self-contained transformer and relay designed for low-voltage 24VDC occupancy sensors. The power pack supports and automatically detects the line-voltage input within the 100–277VAC range. This eliminates the need for voltage-specific power packs. The Universal Voltage Power Pack with Manual ON/OFF control (UVPPM) provides a unique solution for lighting applications where users require both manual ON/OFF control as well as automatic OFF control.

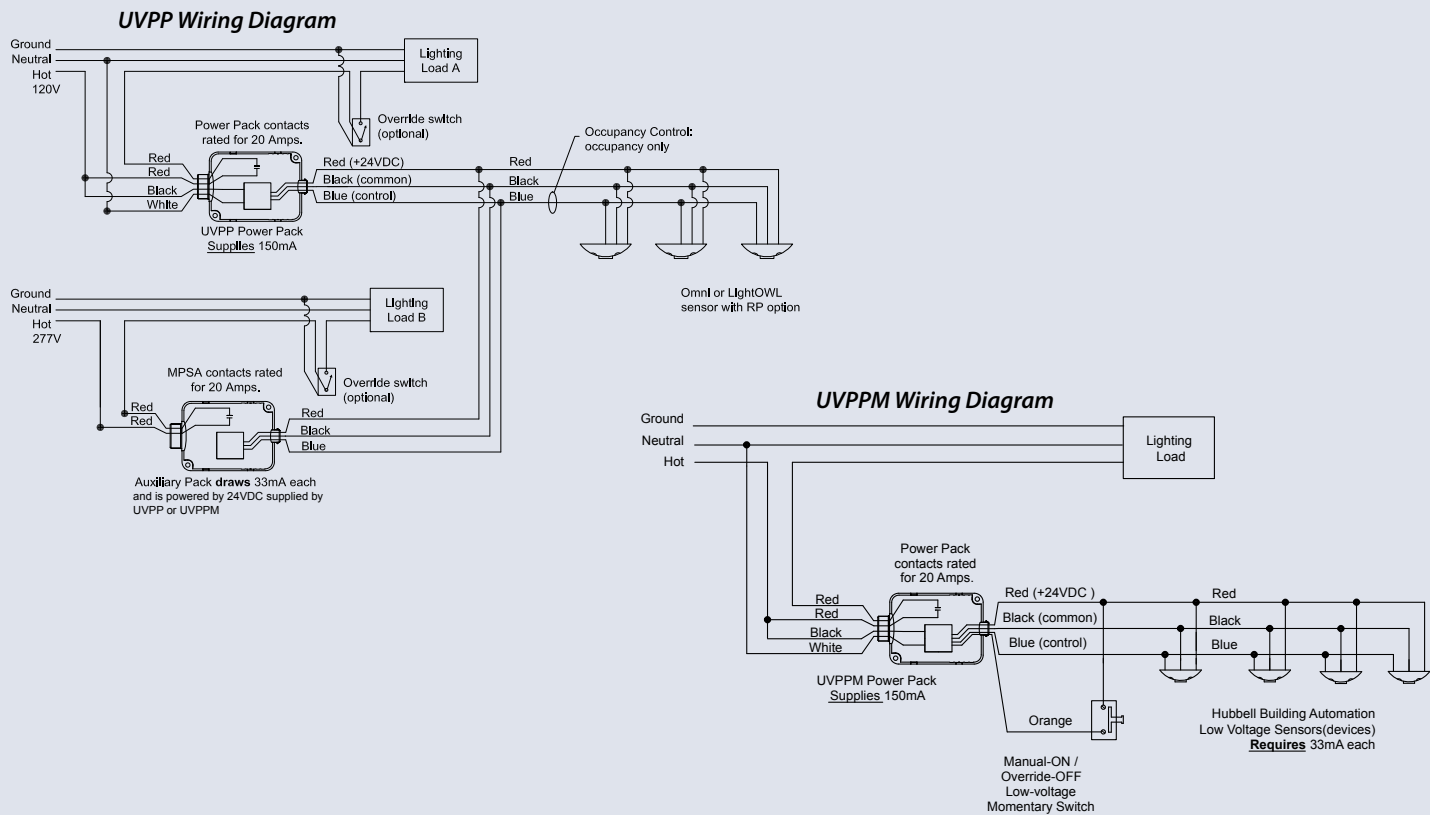
Both power packs are capable of switching 20A loads and feature Zero Arc Point Switching, minimizing relay-contact wear from high inrush loads. A single power pack can power either 4 sensors or 3 sensors and the MPSA auxiliary relay for multiple circuits. The power packs are plenum rated and easily mount inside or outside of a junction box or inside a fixture.

## PRODUCT FEATURES

- Universal voltage: 100–277VAC; 50/60Hz
- Automatic voltage detection
- Electrical load switching capability: maximum of 20 Amps
- Regulated 24VDC current; 150mA output
- Zero Arc Point Switching
- Plenum rated
- Mounts: inside or outside a junction box; inside a fixture
- Available with exclusive Quick-to-Install (QTI) connector
- Companion auxiliary relay device available (MPSA)
- UL and cUL listed
- Five-year limited warranty
- Low voltage device: 24 Vdc



UVPPM



## General Specification

Power requirements	100–277VAC; 50/60Hz
Output (UVPP/UPPM)	24VDC; 150mA nominal, isolated, and regulated
Relay contact rating	20A: 120VAC Incandescent 20A: 120 or 277VAC Ballast 1HP: 120 or 277VAC Motor Load
Plenum rated	Complies with requirements for use in a plenum area Plenum rated for external junction box mounting
Operating environment	Indoor use only Operating temperature: 32° to 104°F (0° to 40°C) Relative humidity (non-condensing): 0% to 95%
Dimensions	3.69" [93.73mm] x 2.33" [59.18mm] x 1.36" [34.54mm]
Weight	15 oz. [425.24 g]
Color	Black
Certifications	UL and cUL listed
Warranty	Five-year limited

## Ordering Information

### MODEL

<b>UVPP</b>	Universal Voltage Power Pack
<b>UVPPQTI</b>	Universal Voltage Power Pack with QTI Connector
<b>MPSA</b>	Auxiliary Relay Device
<b>UVPPM</b>	Universal Voltage Power Pack with Manual ON/OFF Control



**HUBBELL**  
Control Solutions