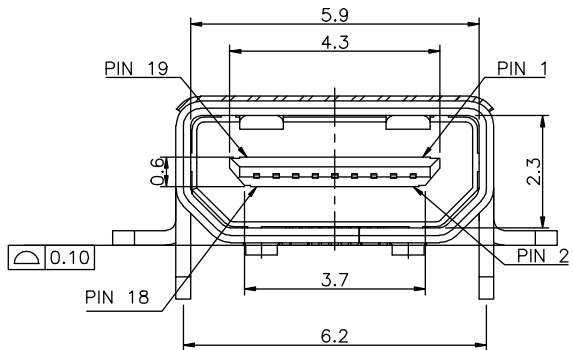
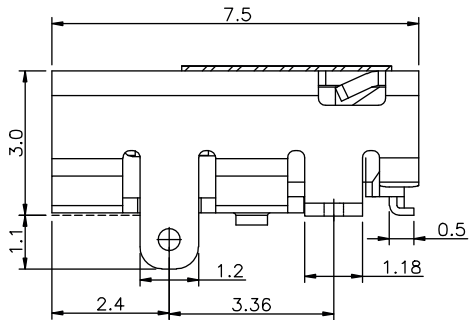


PCB LAYOUT - COMPONENT VIEW  
TOLERANCE: ±0.05mm



TECHNICAL CHARACTERISTICS

**MATERIAL**  
 INSULATOR MATERIAL: LCP  
 FLAMMABILITY RATING UL94-V0  
 COLOUR: BLACK  
 CONTACT MATERIAL: COPPER ALLOY  
 CONTACT TYPE: STAMPED  
 CONTACT PLATING: SELECTIVE GOLD  
 SHIELDING: BRASS TIN PLATED  
 QUALITY CLASS: 5000 MATING CYCLES

**ENVIRONMENTAL**  
 OPERATING TEMPERATURE: -40 °C UP TO 85 °C  
 COMPLIANCE: LEAD FREE AND ROHS

**ELECTRICAL**  
 CURRENT RATING: 0.5 A  
 WORKING VOLTAGE: 40 VAC  
 INSULATION RESISTANCE: 100 MΩ MIN  
 DIELECTRIC WITHSTANDING VOLTAGE: 250 VAC/MN  
 CONTACT RESISTANCE: 10 mΩ MAX

**SOLDERING**  
 JEDEC LEAD FREE REFLOW SOLDERING

**PACKAGING**  
 TAPE & REEL

RoHS Compliant			
G			
F			
E			
D	06-JUL-16	TPK	AK
C	24-JUN-14	LAYOUT MOD	AS
B	03-JAN-13	DWG REVIEW	QL
A	19-JUL-13	PDF	QL
REV	DATE	FILE	BY

PROJECTION:

APPROVAL: NPr

GENERAL TOLERANCE  
 .X = +/- 0.2  
 .XX = +/- 0.15

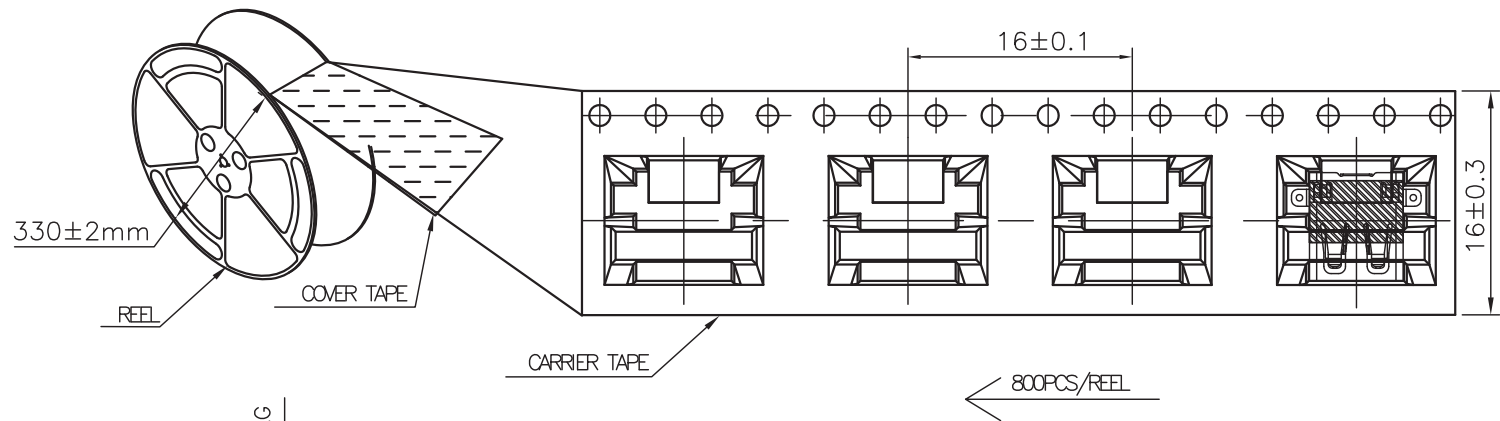
UNIT: MM  
 SCALE:  
 SHEET: 1/3  
 DRAW:



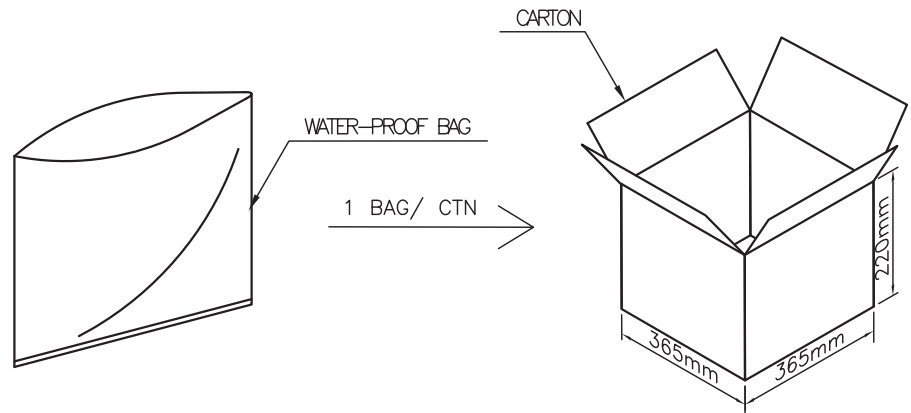
DESCRIPTION: HORIZONTAL SMT MICRO HDMI



WERI PART NO: 685 119 248 223

SIZE  
**A4**



9 SET/BAG



RoHS Compliant				PROJECTION: 	GENERAL TOLERANCE .X = +/- 0.2 .XX = +/- 0.15		DESCRIPTION: HORIZONTAL SMT MICRO HDMI	SIZE <b>A4</b>
G								
F								
E								
D								
C				APPROVAL: NPr	UNIT: MM	WERI PART NO: 685 119 248 223		
B					SCALE:			
A					SHEET: 2/3			
REV	DATE	FILE	BY		DRAW: AK			

1

2

3

4

5

## Cautions and Warnings:

This electronic component is designed and developed with the intention for use in general electronics equipments.

Before incorporating the components into any equipments in the field such as aerospace, aviation, nuclear control, submarine, transportation, (automotive control, train control, ship control), transportation signal, disaster prevention, medical, public information network etc. where higher safety and reliability are especially required or if there is possibility of direct damage or injury to human body, Würth Elektronik must be asked for a written approval.

In addition, even electronic component in general electronic equipments, when used in electrical circuits that require high safety, reliability functions or performance, the sufficient reliability evaluation-check for the safety must be performed before by the user before usage.

A

B

C

RoHS Compliant

G				PROJECTION: 	GENERAL TOLERANCE .X = +/- 0.2 .XX = +/- 0.15	 <b>WÜRTH ELEKTRONIK</b>	
F							
E							
D							
C				APPROVAL: JC	UNIT: MM	DESCRIPTION: DISCLAIMER	SIZE <b>A4</b>
B					SCALE:		
A	10-SEP-14	PDF	QL		SHEET: 3/3	WERI PART NO: DISCLAIMER	
REV	DATE	FILE	BY		DRAW: QL		

D