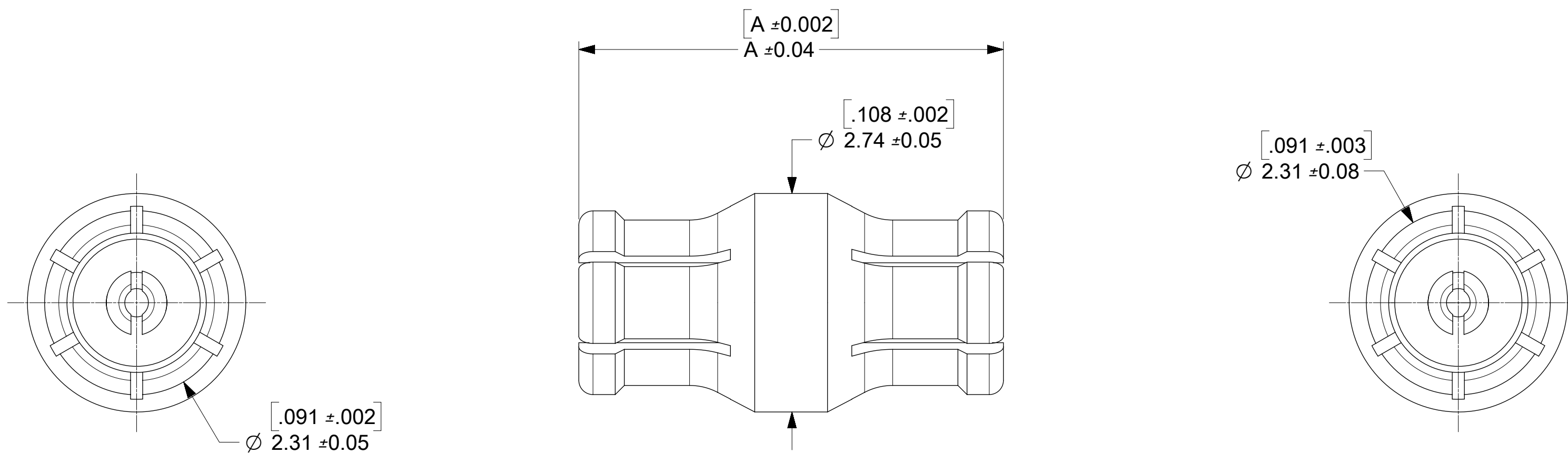
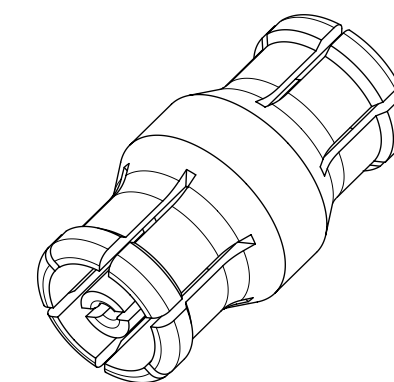


MATERIALS AND FINISHES:

BODY: BERYLLIUM COPPER
PLATED GOLD PER MIL-G-45204 TYPE II, GRADE C, CLASS 1 (50 MICRO-IN MIN)
OVER NICKEL 50 MICRO-IN MIN

INSULATOR: PTFE

CONTACT: BERYLLIUM COPPER
PLATED GOLD PER MIL-G-45204 TYPE II, GRADE C, CLASS 1 (50 MICRO-IN MIN)
OVER NICKEL 50 MICRO-IN MIN



73300-0232	.468 / 11.89	15.59	TRAY
73300-0231	.186 / 4.73	7.43	
73300-0230	.906 / 23.00	25.7	
73300-0229	.524 / 13.30	16.0	
73300-0228	.197 / 5.00	7.7	
73300-0227	.334 / 8.48	11.2	
73300-0226	.750 / 19.05	21.8	
73300-0225	.500 / 12.70	15.4	
73300-0224	.349 / 8.86	11.6	
73300-0223	.327 / 8.31	11.0	
73300-0222	.278 / 7.06	9.8	
73300-0221	.260 / 6.60	9.3	
73300-0220	.210 / 5.33	8.0	
PART NO.	IN / MM	TYPICAL	
	DIM A	PCB GAP (MM)	

BOARD GAP USING 73300-0440 AND EQUIVALENT P/N SERIES

REVISION HISTORY		
DATE	REV	DESCRIPTION
2013/7/26	A	NEW RELEASE PER EWR-5161
2013/11/4	A1	ADD -0227 AND ADD TOLERANCE
2013/11/14	A2	UPDATE VIEWS PER RF14-E058
2014/6/4	A3	ADD -0228 THRU -0230
2015/3/17	A4	ADD -0231
2016/6/22	A5	ADD -0232 PER PDR16062276
2017/1/9	A6	ADD PACKAGING PER RF17-E006

VSWR (TYP):
 1.15 TO 18 GHz
 1.25 TO 40 GHz
 1.35 TO 65 GHz

PS-89675-3730	PRODUCT SPECIFICATION
MIL-STD-348B, FIG.79	INTERFACE SMPM SOCKET
SPECIFICATION	DESCRIPTION

QUALITY SYMBOLS		THIS DRAWING CONTAINS INFORMATION THAT IS PROPRIETARY TO MOLEX ELECTRONIC TECHNOLOGIES, LLC AND SHOULD NOT BE USED WITHOUT WRITTEN PERMISSION																		
∇ = 0	2017/01/09 2017/01/16 EC NO: 112104 DRWN: RYEH CHKD: YCHENG REV / APPR: YCHENG	GENERAL TOLERANCES (UNLESS SPECIFIED)				DIMENSION UNITS		SCALE		molex SMPM JACK/JACK BULLET SMPM-J/J EWR-5161										
∇ = 0		ANGULAR TOL ± °		MM		DRWN BY		DATE												
∇ = 0		4 PLACES ±		RYEH		2016/06/22														
∇ = 0			3 PLACES ±		CHKD BY		DATE		PRODUCT CUSTOMER DRAWING											
∇ = 0			2 PLACES ±		CHKD BY		DATE													
∇ = 0			1 PLACE ±		YCHENG		2017/01/16													
∇ = 0			0 PLACES ±		DRAFT WHERE APPLICABLE MUST REMAIN WITHIN DIMENSIONS		DRAWING SIZE		THIRD ANGLE PROJECTION		SERIES		MATERIAL NUMBER		CUSTOMER					
∇ = 0			A6		C		73300		SEE TABLE		GENERAL MARKET		DOCUMENT NUMBER		DOC TYPE		DOC PART		SHEET NUMBER	
							SD-73300-022		PSD		000		1 OF 1							