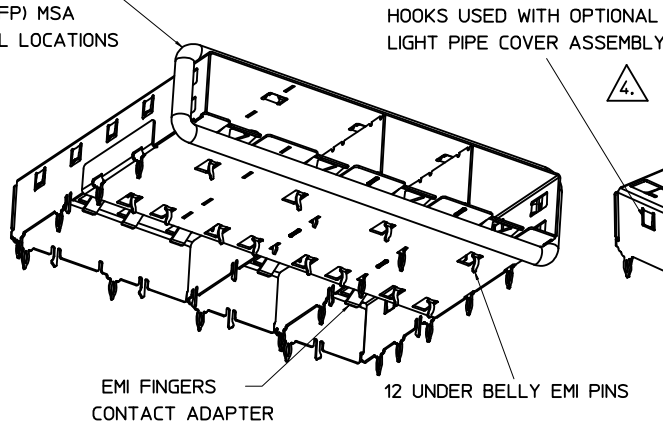
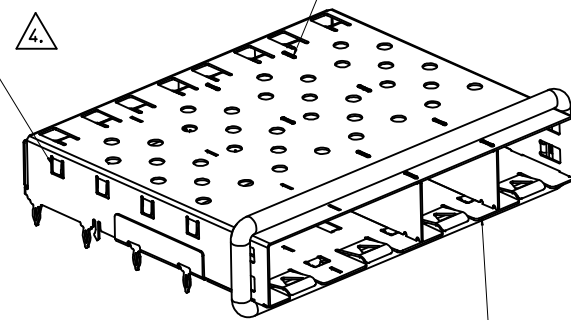


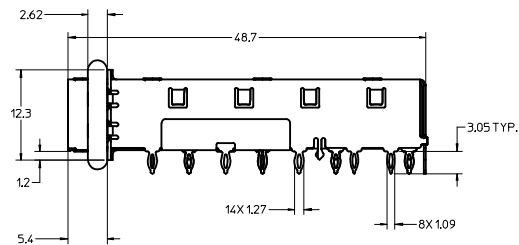
360° ELASTOMER GASKET COMPLIES WITH (SFP) MSA BOARD AND BEZEL LOCATIONS



INNER WALL TABS ARE COINED OVER BASE AND COVER FOR RIGIDITY



DIMENSIONS OF EACH INNER CAGE DESIGNED TO FUNCTION WITH SMALL FORM-FACTOR PLUGGABLE (SFP) TRANSCEIVER



PART NUMBER	ELASTOMERIC GASKET FLAMMABILITY RATING
747280415	
747280424	EQUATE TO UL94 V-0

NOTES:

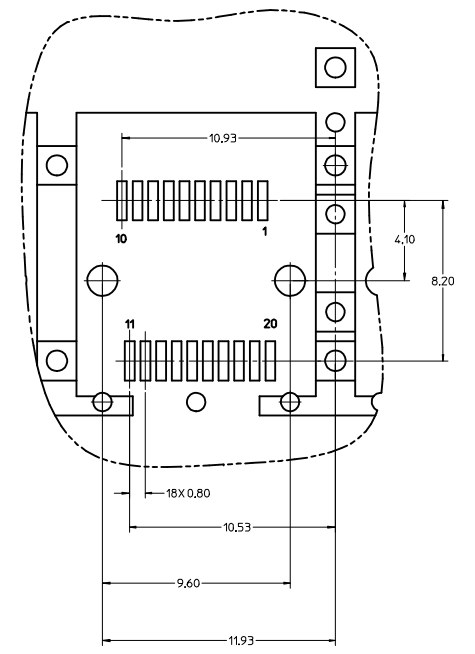
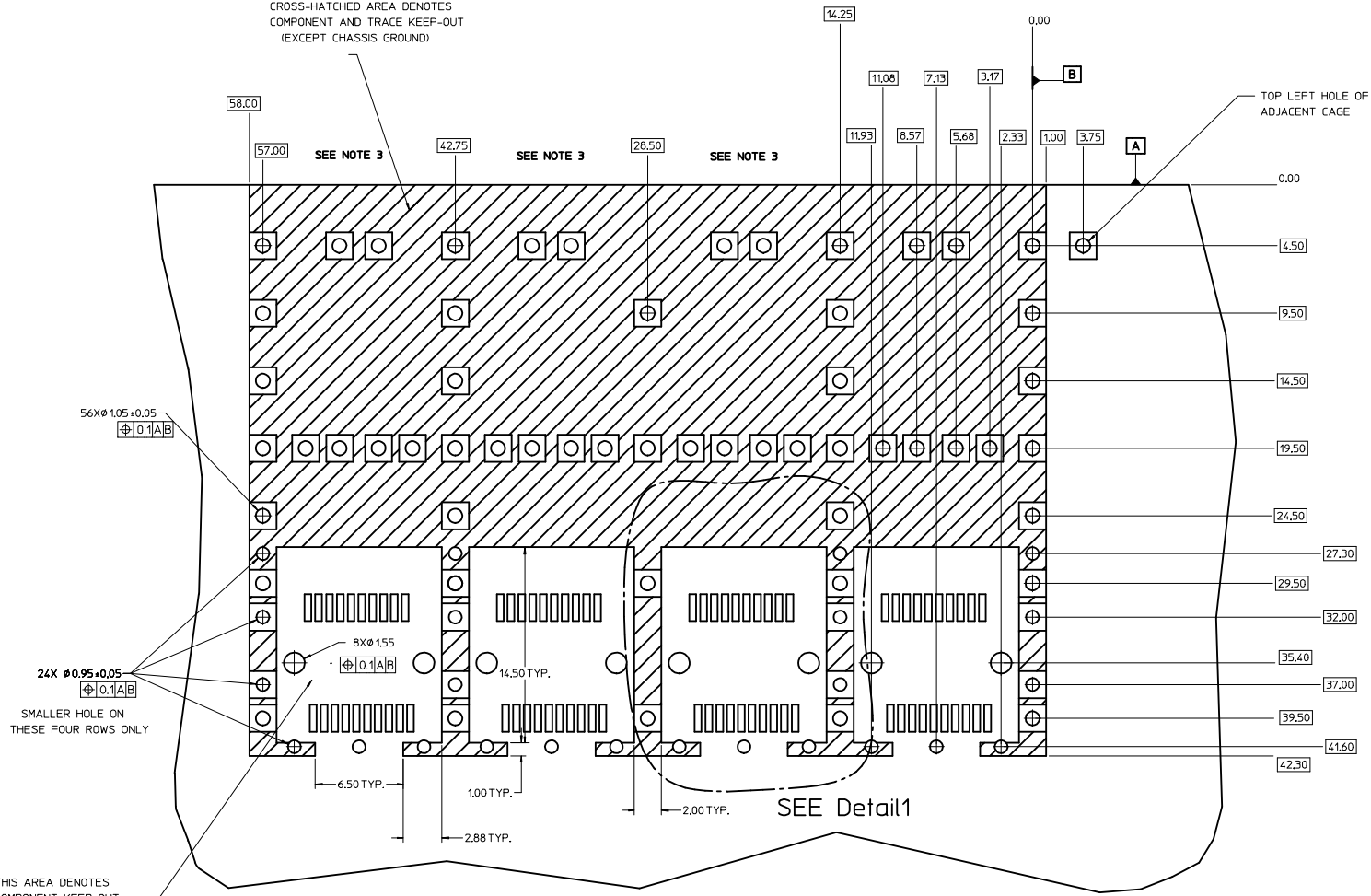
- PRESS FIT LEGS 3.05 LONG-
1.57 MINIMUM PCB THICKNESS FOR SINGLE SIDED USE.
3.00 MINIMUM PCB THICKNESS FOR BELLY TO BELLY USE.
 - MATERIAL: COPPER ALLOY
PLATING: NONE.
NOTE: A PRE-PLATED NICKEL VERSION IS AVAILABLE.
REFER TO DOCUMENT SD-74728-420.
 - REFERENCE DOCUMENTS:
PRODUCT SPECIFICATION: PS-74728-000.
COSMETIC SPECIFICATIONS: WI-HP-7-2774 AND WI-HPA-7-0093.
TEST SUMMARY: TS-74728-0415.
- ▲ MATES WITH SERIES 74728, LIGHT PIPE COVER ASSEMBLY.
5. NO RoHS EXEMPTIONS.

SEE REVISION TABLE EC NO: CPG2014-3390 DRAWN LIZO 2014/05/09 CHYKORCHENOS 2014/05/09 APPR RCHENOS 2014/06/30	QUALITY SYMBOLS	GENERAL TOLERANCES (UNLESS SPECIFIED)	DIMENSION STYLE	SCALE	DESIGN UNITS	THIRD ANGLE PROJECTION
	▽=0	mm INCH	MM ONLY	3:1	METRIC	
	▽=0	4 PLACES ± ---	DRAWN BY DATE			TITLE
	▽=0	2 PLACES ± 0.13	CHECKED BY DATE			1X4 SFP GANGED CAGE ASSY, W/ 0.103 GASKET PRESS FIT, F/ LIGHT PIPE
	0 PLACE ±	1 PLACE ± 0.25	APPROVED BY DATE			
		0 PLACE ±	RUSSELL 2004/10/09			
		ANGULAR ± 1 °	MATERIAL NO.			
		DRAFT WHERE APPLICABLE MUST REMAIN WITHIN DIMENSIONS	SEE P/N TABLE			
			DOCUMENT NO.			
			SD-74728-415			
			SHEET NO.			
			1 OF 5			

PCB LAYOUT FOR BELLY TO BELLY MOUNTING

CROSS-HATCHED AREA DENOTES
COMPONENT AND TRACE KEEP-OUT
(EXCEPT CHASSIS GROUND)

HOST CONNECTOR DETAIL



Detail1
SCALE 8:1

56X ϕ 1.05 \pm 0.05
 ϕ 0.1A|B

24X ϕ 0.95 \pm 0.05
 ϕ 0.1A|B

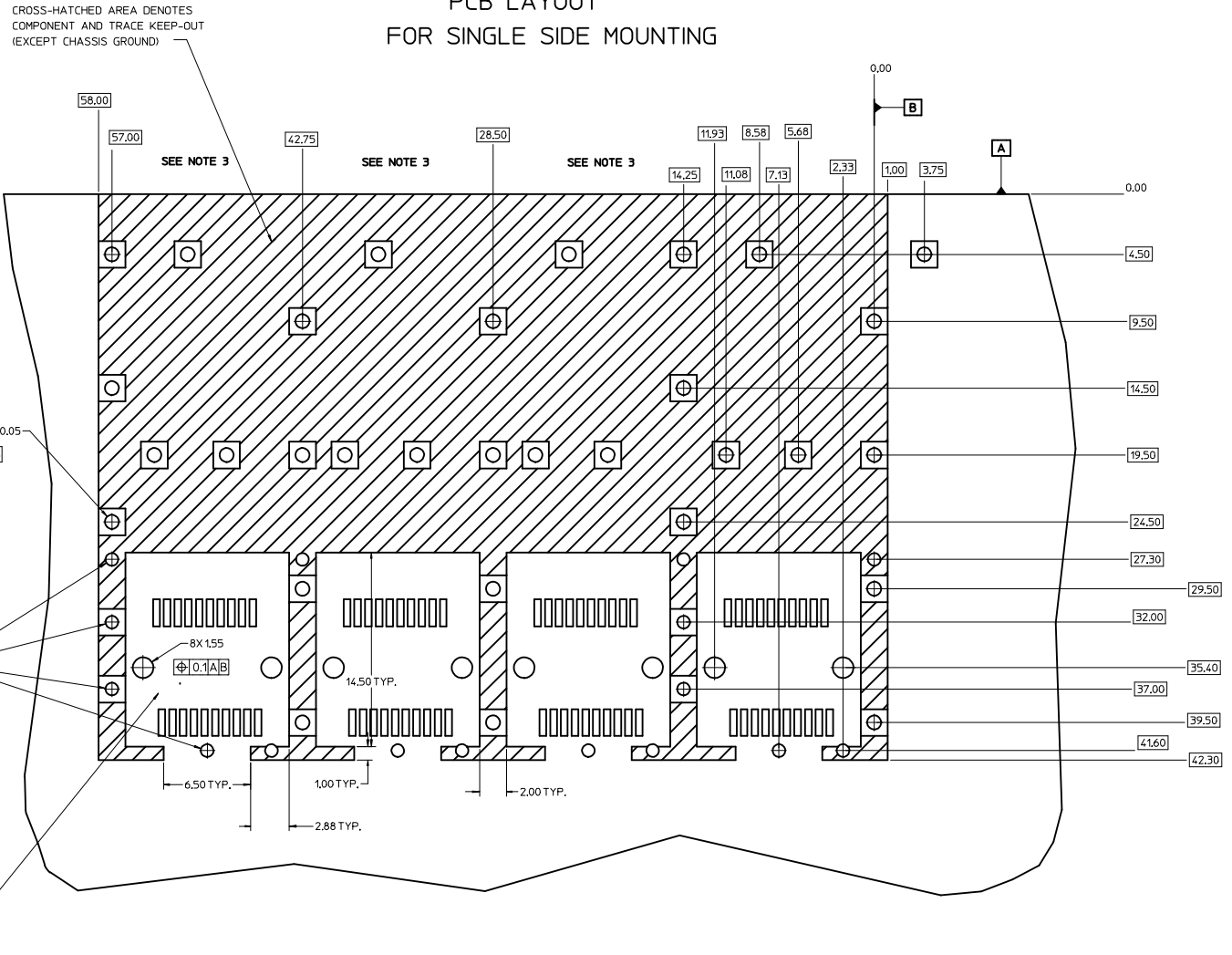
SMALLER HOLE ON
THESE FOUR ROWS ONLY

THIS AREA DENOTES
COMPONENT KEEP-OUT
(TRACES ALLOWED)

- NOTES:**
1. PADS AND VIAS GO TO CHASSIS GROUND, (64 PLACES). RECOMMENDED PADS TO BE 2mm SQUARE
 2. PLATING OPTIONAL FOR THROUGH HOLES, (16 PLACES).
 3. RECOMMENDED PLATING INCLUDES HASL, IMMERSION (GOLD, SILVER, OR TIN), AND OSP.
 4. HOLE PATTERN REPEATS FOR EACH PORT, SPACING BETWEEN PORTS IS 14.25

REV		DESCRIPTION	QUALITY SYMBOLS	GENERAL TOLERANCES (UNLESS SPECIFIED)	DIMENSION STYLE	SCALE	DESIGN UNITS	THIRD ANGLE PROJECTION
SEE REVISION TABLE					MM ONLY	6:1	METRIC	
EC NO: CPG2014-3390	2014/05/09	DRWNLJ20	$\nabla=0$	4 PLACES ± ---	INCH			
CHKORCHEN08	2014/05/09	APPRORCHEN08	$\nabla=0$	3 PLACES ± ---				
			$\nabla=0$	2 PLACES ± 0.13				
			$\nabla=0$	1 PLACE ± 0.25				
				0 PLACE ±				
				ANGULAR ± 1 °	DRAWN BY DATE		TITLE	
				DRAFT WHERE APPLICABLE MUST REMAIN WITHIN DIMENSIONS	KSI MONSO 2004/10/09		1X4 SFP GANGED CAGE ASSY, W/ 0.103 GASKET PRESS FIT, F/ LIGHT PIPE	
					BRUSSELL 2004/10/09		molex	
					BRUSSELL 2004/10/09		SD-74728-415	
					SEE P/N TABLE		SHEET NO. 2 OF 5	
					THIS DRAWING CONTAINS INFORMATION THAT IS PROPRIETARY TO MOLEX INCORPORATED AND SHOULD NOT BE USED WITHOUT WRITTEN PERMISSION			

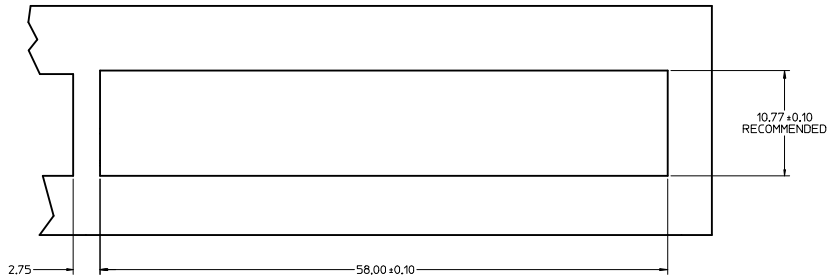
PCB LAYOUT FOR SINGLE SIDE MOUNTING



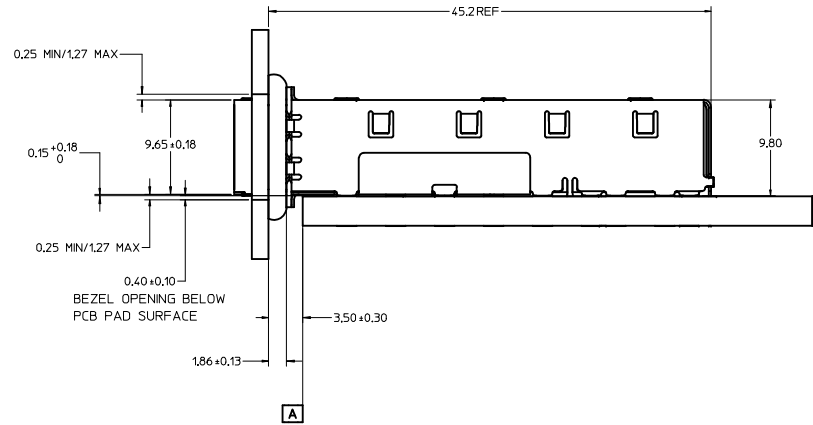
NOTES:

1. PADS AND VIAS GO TO CHASSIS GROUND, (34 PLACES). RECOMMENDED PADS TO BE 2mm SQUARE
2. PLATING OPTIONAL FOR THROUGH HOLES, (12 PLACES).
3. RECOMMENDED PLATING INCLUDES HASL, IMMERSION (GOLD, SILVER, OR TIN), AND OSP.
4. HOLE PATTERN REPEATS FOR EACH PORT, SPACING BETWEEN PORTS IS 14.25

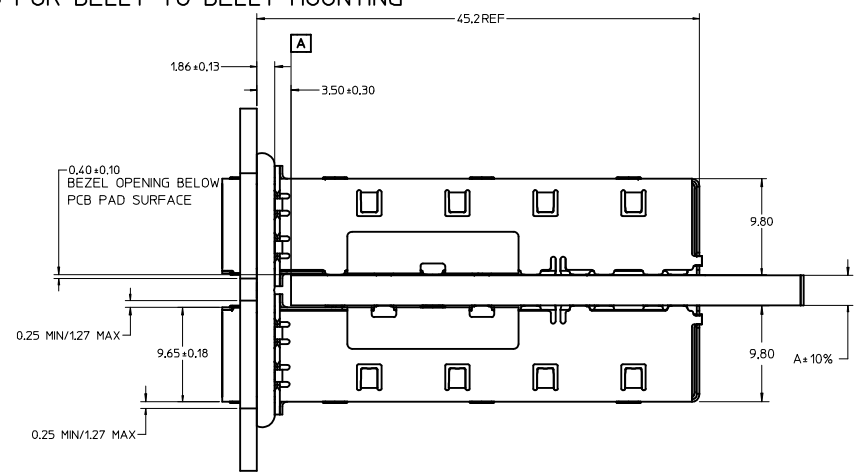
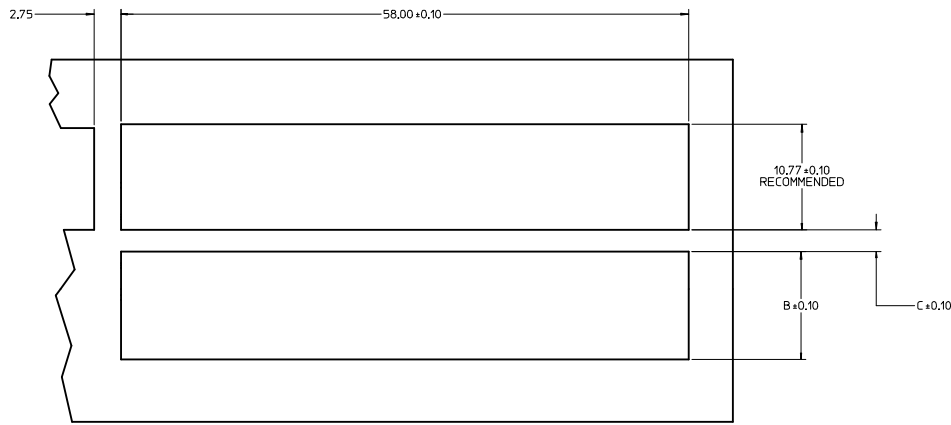
SEE REVISION TABLE EC NO: CPG2014-3390 DRAWN: LUZO 2014/05/09 CHECKED: CHYKORHEN08 2014/05/09 APPROVED: CHYKORHEN08 2014/06/30	QUALITY SYMBOLS	GENERAL TOLERANCES (UNLESS SPECIFIED)	DIMENSION STYLE	SCALE	DESIGN UNITS	THIRD ANGLE PROJECTION
	▽=0	mm	MM ONLY	6:1	METRIC	
	▽=0	INCH				
	▽=0	ANGULAR ± 1 °				
DRAFT WHERE APPLICABLE MUST REMAIN WITHIN DIMENSIONS		DRAWN BY DATE KSI MONSO 2004/10/09		TITLE 1X4 SFP GANGED CAGE ASSY, W/ 0.103 GASKET PRESS FIT, F/ LIGHT PIPE		
		CHECKED BY DATE BRUSSELL 2004/10/09		molex		
		APPROVED BY DATE BRUSSELL 2004/10/09				
		MATERIAL NO.		DOCUMENT NO.		
		SEE P/N TABLE		SD-74728-415		
		SIZE D		SHEET NO. 3 OF 5		
THIS DRAWING CONTAINS INFORMATION THAT IS PROPRIETARY TO MOLEX INCORPORATED AND SHOULD NOT BE USED WITHOUT WRITTEN PERMISSION						



BEZEL AND BOARD POSITION DIMENSIONS FOR SINGLE SIDE MOUNTING



BEZEL AND BOARD POSITION DIMENSIONS FOR BELLY TO BELLY MOUNTING



NOTE:

- 1.FOR A GIVEN BOARD THICKNESS (A), DIMENSIONS (B) AND (C) ARE DIRECTLY AFFECTED.
- 2.USE RECOMMENDED DIMENSIONS AND TOLERANCES TO AID IN DEVELOPING BEZEL OPENING.
- 3.FOR EXAMPLE USING A BOARD THICKNESS OF 3.175 THE RECOMMENDED VALUES WOULD BE:

A= 3.18
B= 11.03
C= 2.23

SEE REVISION TABLE EEC NO: CPG2014-3390 DRAWN BY: CHYNLUZU CHECKED BY: CHYKORCHENOB APPROVED BY: CHYKORCHENOB DATE: 2014/05/09 DATE: 2014/05/09 DATE: 2014/06/30	QUALITY SYMBOLS	GENERAL TOLERANCES (UNLESS SPECIFIED)	DIMENSION STYLE	SCALE	DESIGN UNITS	THIRD ANGLE PROJECTION	
	▽=0	4 PLACES ± mm ± INCH	MM ONLY	4:1	METRIC	☉	
	▽=0	3 PLACES ± mm ± INCH	DRAWN BY: KSI MONSO	DATE: 2004/10/09	TITLE: 1X4 SFP GANGED CAGE ASSY, W/ 0.103 GASKET PRESS FIT, F/ LIGHT PIPE		
	▽=0	2 PLACES ± 0.13 ± INCH	CHECKED BY: BRUSSELL	DATE: 2004/10/09			
		1 PLACE ± 0.25 ± INCH	APPROVED BY: BRUSSELL	DATE: 2004/10/09			
		0 PLACE ± INCH					
		ANGULAR ± 1 °	MATERIAL NO.	DOCUMENT NO.		SHEET NO.	
		DRAFT WHERE APPLICABLE MUST REMAIN WITHIN DIMENSIONS	SEE P/N TABLE	SD-74728-415		4 OF 5	
			THIS DRAWING CONTAINS INFORMATION THAT IS PROPRIETARY TO MOLEX INCORPORATED AND SHOULD NOT BE USED WITHOUT WRITTEN PERMISSION				

