

NOTES:

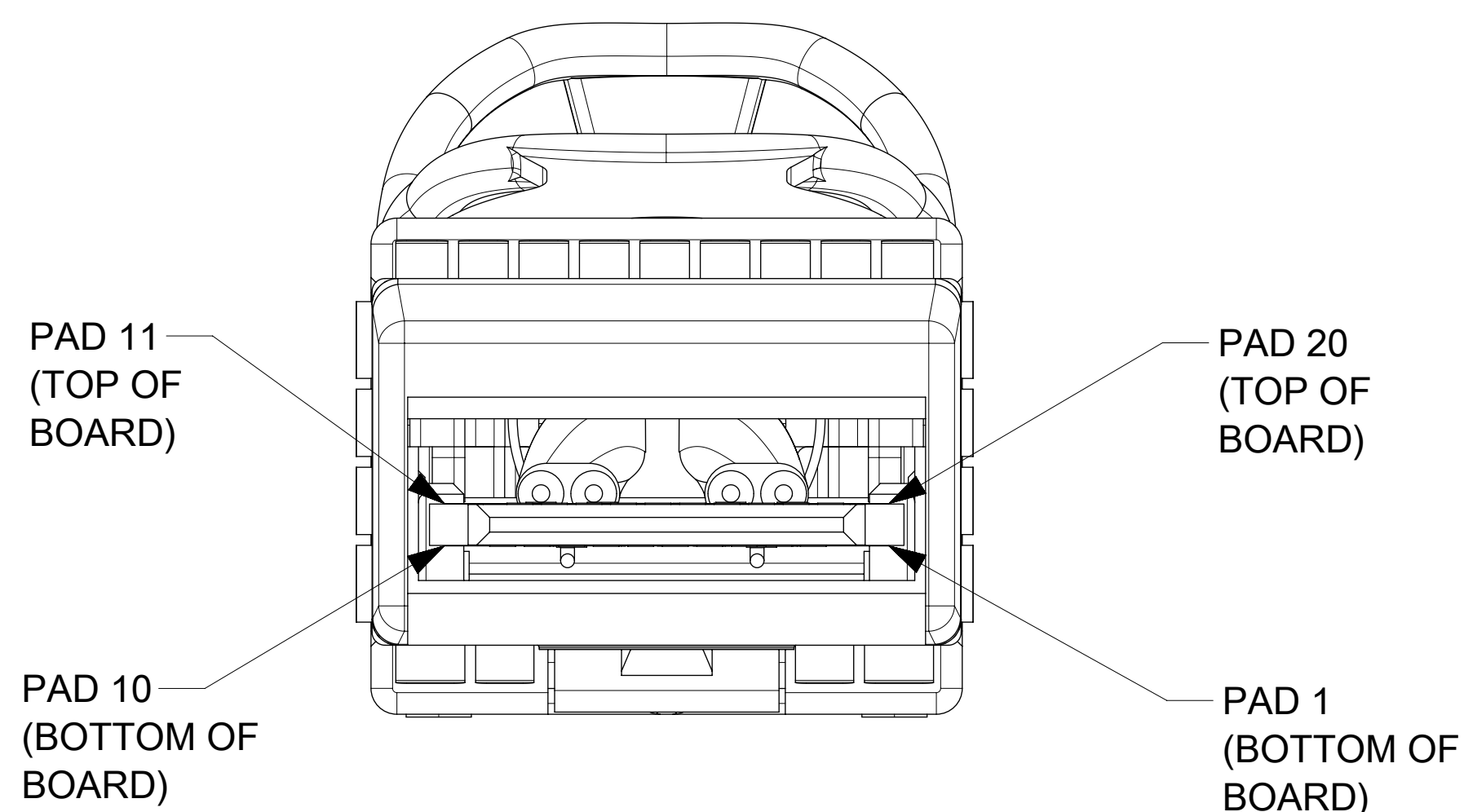
1. MATERIALS
 BACKSHELLS- NICKEL PLATED ZINC
 DE-LATCH - PLASTIC
 PCB - FR-4
 RIVETS - STAINLESS STEEL
2. IMPEDANCE - 100 OHMS DIFFERENTIAL, PASSIVE
3. PULL TO RELEASE, PLUNGER STYLE LATCH
4. EACH ASSEMBLY HAS A SERIAL ID
5. 11.09 Gbps BACKWARDS COMPATIBLE TO 1.0625 Gbps
6. RoHS COMPLIANT, NO EXEMPTIONS

THIS DRAWING CONTAINS INFORMATION THAT IS PROPRIETARY TO MOLEX ELECTRONIC TECHNOLOGIES, LLC AND SHOULD NOT BE USED WITHOUT WRITTEN PERMISSION												
QUALITY SYMBOLS ▽ = 0 ▽ = 0 ▽ = 0 ▽ = 0 ▽ = 0 ▽ = 0 ▽ = 0 ▽ = 0 ▽ = 0 ▽ = 0	ADDED P/N 747521034	2016/11/17	2016/11/17	2016/11/22	GENERAL TOLERANCES (UNLESS SPECIFIED) ANGULAR TOL ± 2.0 ° 4 PLACES ± 3 PLACES ± 2 PLACES ± 0.13 1 PLACE ± 0.25 0 PLACES ± DRAFT WHERE APPLICABLE MUST REMAIN WITHIN DIMENSIONS	DIMENSION UNITS	SCALE					
	EC NO: 110564	DRWN: DRAMIREZ02	CHKD: EMEDINA02	REV: APPR: ARAYBURN		MM	2:1					
	DRWN BY	DATE	DRAMIREZ02	2016/11/17								
						CHKD BY	DATE	SFP+ TO SFP+ 10G PASSIVE CABLE ASSEMBLY				
						APPR BY	DATE	PRODUCT CUSTOMER DRAWING				
						ARAYBURN	2016/11/22	SERIES	MATERIAL NUMBER	CUSTOMER		
					DRAWING SIZE	THIRD ANGLE PROJECTION	74752	SEE TABLE	GENERAL MARKET			
					T	D	DOCUMENT NUMBER	DOC TYPE	DOC PART	SHEET NUMBER		
							747520001	PSD	000	1 OF 4		

WIRING DIAGRAM				
P1 END			P2 END	
PAD	SIGNAL		PAD	SIGNAL
12	RD-	<-----	19	TD-
13	RD+	<-----	18	TD+
18	TD+	----->	13	RD+
19	TD-	----->	12	RD-

LOW SPEED SIGNALS	
SFP+	
PAD	SIGNAL
02	Tx_Fault
03	Tx_Disable
04	SDA
05	SCL
06	Mod_ABS
07	RS0
08	Rx_LOS
09	RS1
15	VccR
16	VccT

CUSTOM LENGTHS AVAILABLE.
LONGER LENGTH APPLICATIONS REQUIRE
HOST SYSTEM PRE-EMPHASIS AND
EQUALIZATION.
SEE DATASHEET FOR MORE INFORMATION.



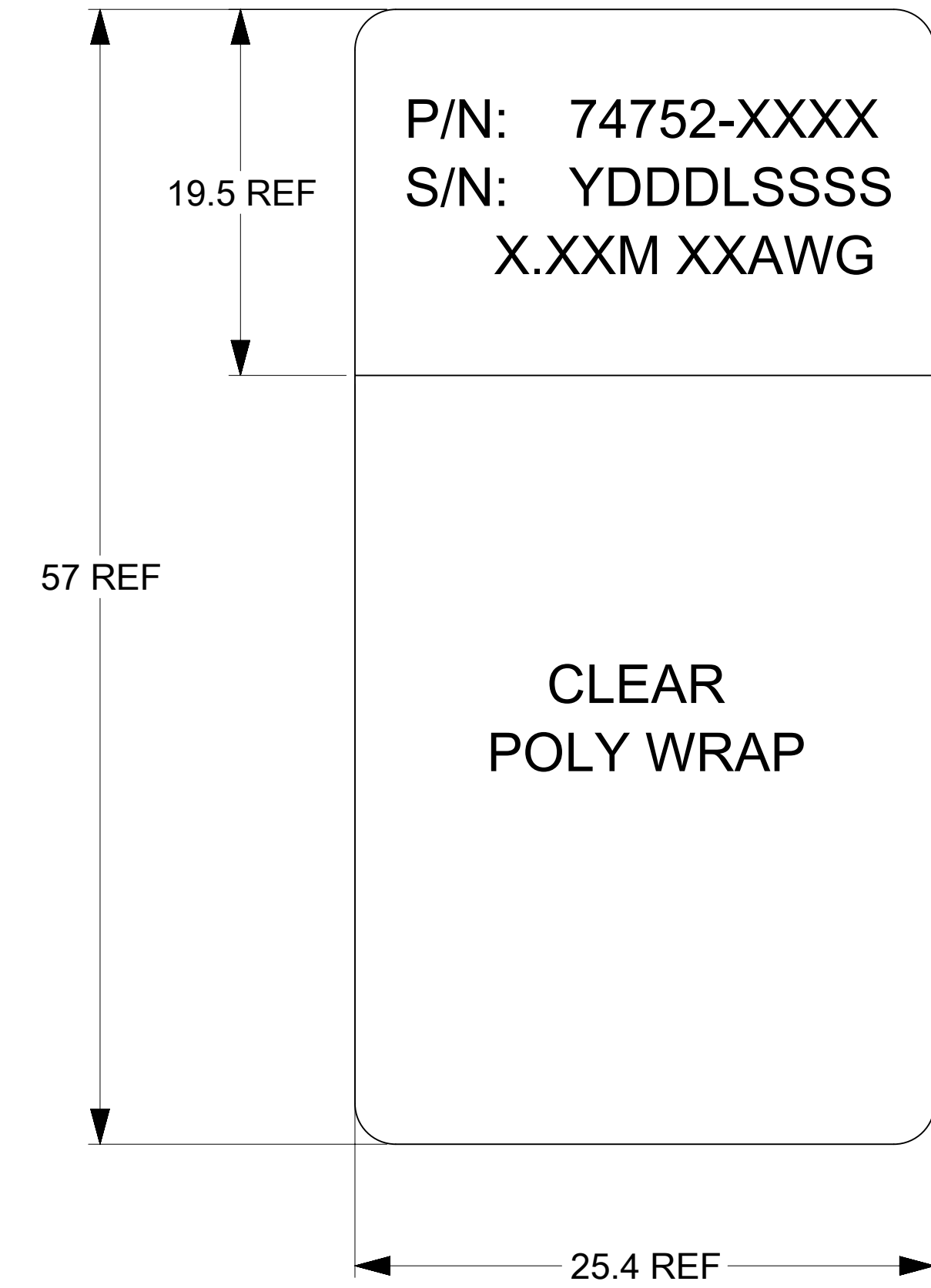
QUALITY SYMBOLS 	THIS DRAWING CONTAINS INFORMATION THAT IS PROPRIETARY TO MOLEX ELECTRONIC TECHNOLOGIES, LLC AND SHOULD NOT BE USED WITHOUT WRITTEN PERMISSION																	
	2016/11/17	2016/11/17	2016/11/22	GENERAL TOLERANCES (UNLESS SPECIFIED)		DIMENSION UNITS	SCALE											
	DRWN: DRAMIREZ02	CHKD: EMEDINA02	REV: ARAYBURN	ANGULAR TOL ± 2.0 °		MM	7:1											
	ADDED PN 747521034			4 PLACES ±	DRWN BY	DATE	SFP+ TO SFP+ 10G PASSIVE CABLE ASSEMBLY											
	EC NO: 110564			3 PLACES ±	CHKD BY	DATE												
	DRWN: DRAMIREZ02			2 PLACES ± 0.13	EMEDINA02	2016/11/17	PRODUCT CUSTOMER DRAWING											
	CHKD: EMEDINA02			1 PLACE ± 0.25	ARAYBURN	2016/11/22												
	REV: ARAYBURN			0 PLACES ±	DRAFT WHERE APPLICABLE MUST REMAIN WITHIN DIMENSIONS		DRAWING SIZE	THIRD ANGLE PROJECTION	SERIES	MATERIAL NUMBER	CUSTOMER							
	T			DRAFT WHERE APPLICABLE MUST REMAIN WITHIN DIMENSIONS		D	THIRD ANGLE PROJECTION	74752	SEE TABLE	GENERAL MARKET								
	RELEASE STATUS	P1	RELEASE DATE	22.11.2016	00:01:34	DOCUMENT NUMBER							747520001	DOC TYPE	PSD	DOC PART	000	SHEET NUMBER

PART NUMBER TABLE

PART NUMBER	LENGTH	TOL.	AWG
747520010	0.30M	± 0.03M	32
747520011	0.50M	± 0.03M	32
747520012	1.0M	± 0.05M	32
747520013	2.0M	± 0.05M	32
747520014	3.0M	± 0.05M	32
747520015	4.0M	± 0.05M	32
747520016	5.0M	± 0.05M	32
747521031	0.30M	± 0.03M	30
747521034	0.34M	± 0.03M	30
747521051	0.50M	± 0.05M	30
747521101	1.0M	± 0.05M	30
747521151	1.5M	± 0.05M	30
747521201	2.0M	± 0.05M	30
747521251	2.5M	± 0.05M	30
747521301	3.0M	± 0.05M	30
747521401	4.0M	± 0.05M	30
747521501	5.0M	± 0.08M	30
747521601	6.0M	± 0.08M	30
747521701	7.0M	± 0.08M	30
747521801	8.0M	± 0.08M	30
747521901	9.0M	± 0.08M	30
747529001	10.0M	± 0.08M	30
747522031	0.30M	± 0.03M	28
747522051	0.50M	± 0.03M	28
747522101	1.0M	± 0.05M	28
747522151	1.5M	± 0.05M	28
747522201	2.0M	± 0.05M	28
747522301	3.0M	± 0.05M	28
747522401	4.0M	± 0.05M	28
747522501	5.0M	± 0.08M	28
747522701	7.0M	± 0.08M	28
747522801	8.0M	± 0.08M	28
747522901	9.0M	± 0.08M	28
747529002	10.0M	± 0.08M	28
747529010	15.0M	± 0.08M	28

PART NUMBER	LENGTH	TOL.	AWG
747523051	0.50M	± 0.03M	26
747523061	0.60M	± 0.03M	26
747523101	1.0M	± 0.05M	26
747523201	2.0M	± 0.05M	26
747523301	3.0M	± 0.05M	26
747523501	5.0M	± 0.08M	26
747523701	7.0M	± 0.08M	26
747523901	9.0M	± 0.08M	26
747529003	10.0M	± 0.08M	26
747529225	1.6M	± 0.05M	26
747529226	1.75M	± 0.05M	26
747529227	2.25M	± 0.05M	26
747524051	0.50M	± 0.03M	24
747524101	1.0M	± 0.05M	24
747524201	2.0M	± 0.05M	24
747524301	3.0M	± 0.05M	24
747524401	4.0M	± 0.05M	24
747524501	5.0M	± 0.08M	24
747524541	5.4M	± 0.08M	24
747524571	5.7M	± 0.08M	24
747524601	6.0M	± 0.08M	24
747524701	7.0M	± 0.08M	24
747524801	8.0M	± 0.08M	24
747524901	9.0M	± 0.08M	24
747529004	10.0M	± 0.08M	24
747529013	11.0M	± 0.08M	24
747529008	12.0M	± 0.08M	24
747529015	13.0M	± 0.08M	24
747529016	14.0M	± 0.08M	24
747529007	15.0M	± 0.08M	24

CABLE LABEL DETAIL



YDDDLSSSS
Y---YEAR, THE LAST DIGIT OF THE YEAR
DDD---DAY OF THE YEAR
L---LOCATION (1=US, 2=MEXICO, 3=CHINA, 4=PHILIPPINES)
SSSS---SERIAL NUMBER (0001-9999)

X.XXM---LENGTH AS SHOWN IN P/N TABLE

XXAWG---AWG SIZE

QUALITY SYMBOLS 	THIS DRAWING CONTAINS INFORMATION THAT IS PROPRIETARY TO MOLEX ELECTRONIC TECHNOLOGIES, LLC AND SHOULD NOT BE USED WITHOUT WRITTEN PERMISSION																		
	EC NO: 110564 DRWN: DRAMIREZ02 CHKD: EMEDINA02 REV APPR: ARAYBURN	2016/11/17 2016/11/17 2016/11/22	GENERAL TOLERANCES (UNLESS SPECIFIED) ANGULAR TOL ± 2.0 ° 4 PLACES ± 3 PLACES ± 2 PLACES ± 0.13 1 PLACE ± 0.25 0 PLACES ± DRAFT WHERE APPLICABLE MUST REMAIN WITHIN DIMENSIONS	DIMENSION UNITS: MM SCALE: 1:1 DRWN BY: DRAMIREZ02 DATE: 2016/11/17 CHKD BY: EMEDINA02 DATE: 2016/11/17 APPR BY: ARAYBURN DATE: 2016/11/22 DRAWING SIZE: D THIRD ANGLE PROJECTION	 SFP+ TO SFP+ 10G PASSIVE CABLE ASSEMBLY PRODUCT CUSTOMER DRAWING SERIES: 74752 MATERIAL NUMBER: SEE TABLE CUSTOMER: GENERAL MARKET DOCUMENT NUMBER: 747520001 DOC TYPE: PSD DOC PART: 000 SHEET NUMBER: 3 OF 4														
RELEASE STATUS: P1 RELEASE DATE: 22.11.2016 00:01:34	19	18	17	16	15	14	13	12	11	10	9	8	7	6	5	4	3	2	1