

## Important notice

Dear Customer,

On 7 February 2017 the former NXP Standard Product business became a new company with the tradename **Nexperia**. Nexperia is an industry leading supplier of Discrete, Logic and PowerMOS semiconductors with its focus on the automotive, industrial, computing, consumer and wearable application markets

In data sheets and application notes which still contain NXP or Philips Semiconductors references, use the references to Nexperia, as shown below.

Instead of <http://www.nxp.com>, <http://www.philips.com/> or <http://www.semiconductors.philips.com/>, use <http://www.nexperia.com>

Instead of [sales.addresses@www.nxp.com](mailto:sales.addresses@www.nxp.com) or [sales.addresses@www.semiconductors.philips.com](mailto:sales.addresses@www.semiconductors.philips.com), use [salesaddresses@nexperia.com](mailto:salesaddresses@nexperia.com) (email)

Replace the copyright notice at the bottom of each page or elsewhere in the document, depending on the version, as shown below:

- © NXP N.V. (year). All rights reserved or © Koninklijke Philips Electronics N.V. (year). All rights reserved

Should be replaced with:

- © **Nexperia B.V. (year). All rights reserved.**

If you have any questions related to the data sheet, please contact our nearest sales office via e-mail or telephone (details via [salesaddresses@nexperia.com](mailto:salesaddresses@nexperia.com)). Thank you for your cooperation and understanding,

Kind regards,

Team Nexperia

# 74HC573-Q100; 74HCT573-Q100

Octal D-type transparent latch; 3-state

Rev. 4 — 26 January 2015

Product data sheet

## 1. General description

The 74HC573-Q100; 74HCT573-Q100 is a high-speed Si-gate CMOS device and is pin compatible with Low-power Schottky TTL (LSTTL). It is specified in compliance with JEDEC standard no. 7A.

The 74HC573-Q100; 74HCT573-Q100 has octal D-type transparent latches featuring separate D-type inputs for each latch and 3-state true outputs for bus-oriented applications. A latch enable (LE) input and an output enable ( $\overline{OE}$ ) input are common to all latches.

When LE is HIGH, data at the Dn inputs enter the latches. In this condition, the latches are transparent, i.e. a latch output changes state each time its corresponding D input changes.

When LE is LOW the latches store the information that was present at the D-inputs a set-up time preceding the HIGH-to-LOW transition of LE. When  $\overline{OE}$  is LOW, the contents of the 8 latches are available at the outputs. When  $\overline{OE}$  is HIGH, the outputs go to the high-impedance OFF-state. Operation of the  $\overline{OE}$  input does not affect the state of the latches.

This product has been qualified to the Automotive Electronics Council (AEC) standard Q100 (Grade 1) and is suitable for use in automotive applications.

## 2. Features and benefits

- Automotive product qualification in accordance with AEC-Q100 (Grade 1)
  - ◆ Specified from  $-40\text{ }^{\circ}\text{C}$  to  $+85\text{ }^{\circ}\text{C}$  and from  $-40\text{ }^{\circ}\text{C}$  to  $+125\text{ }^{\circ}\text{C}$
- Input levels:
  - ◆ For 74HC573-Q100: CMOS level
  - ◆ For 74HCT573-Q100: TTL level
- Inputs and outputs on opposite sides of package allowing easy interface with microprocessors
- Useful as input or output port for microprocessors and microcomputers
- 3-state non-inverting outputs for bus-oriented applications
- Common 3-state output enable input
- Multiple package options
- ESD protection:
  - ◆ MIL-STD-883, method 3015 exceeds 2000 V
  - ◆ HBM JESD22-A114F exceeds 2000 V
  - ◆ MM JESD22-A115-A exceeds 200 V (C = 200 pF, R = 0  $\Omega$ )



## 3. Ordering information

Table 1. Ordering information

| Type number     | Package           |          |  | Version  |
|-----------------|-------------------|----------|--|----------|
|                 | Temperature range | Name     | Description  |          |
| 74HC573D-Q100   | -40 °C to +125 °C | SO20     | plastic small outline package; 20 leads; body width 7.5 mm   | SOT163-1 |
| 74HCT573D-Q100  |                   |          |  |          |
| 74HC573DB-Q100  | -40 °C to +125 °C | SSOP20   | plastic shrink small outline package; 20 leads; body width 5.3 mm  | SOT339-1 |
| 74HCT573DB-Q100 |                   |          |  |          |
| 74HC573PW-Q100  | -40 °C to +125 °C | TSSOP20  | plastic thin shrink small outline package; 20 leads; body width 4.4 mm   | SOT360-1 |
| 74HCT573PW-Q100 |                   |          |  |          |
| 74HC573BQ-Q100  | -40 °C to +125 °C | DHVQFN20 | plastic dual in-line compatible thermal enhanced very thin quad flat package; no leads; 20 terminals; body 2.5 × 4.5 × 0.85 mm | SOT764-1 |
| 74HCT573BQ-Q100 |                   |          |  |          |

## 4. Functional diagram

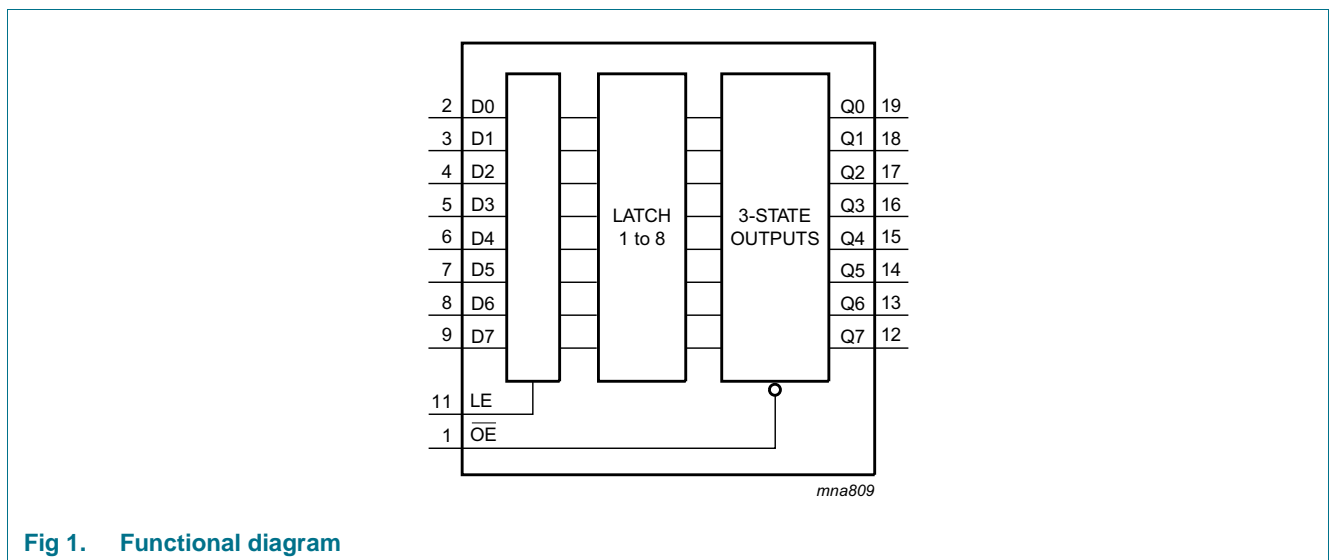
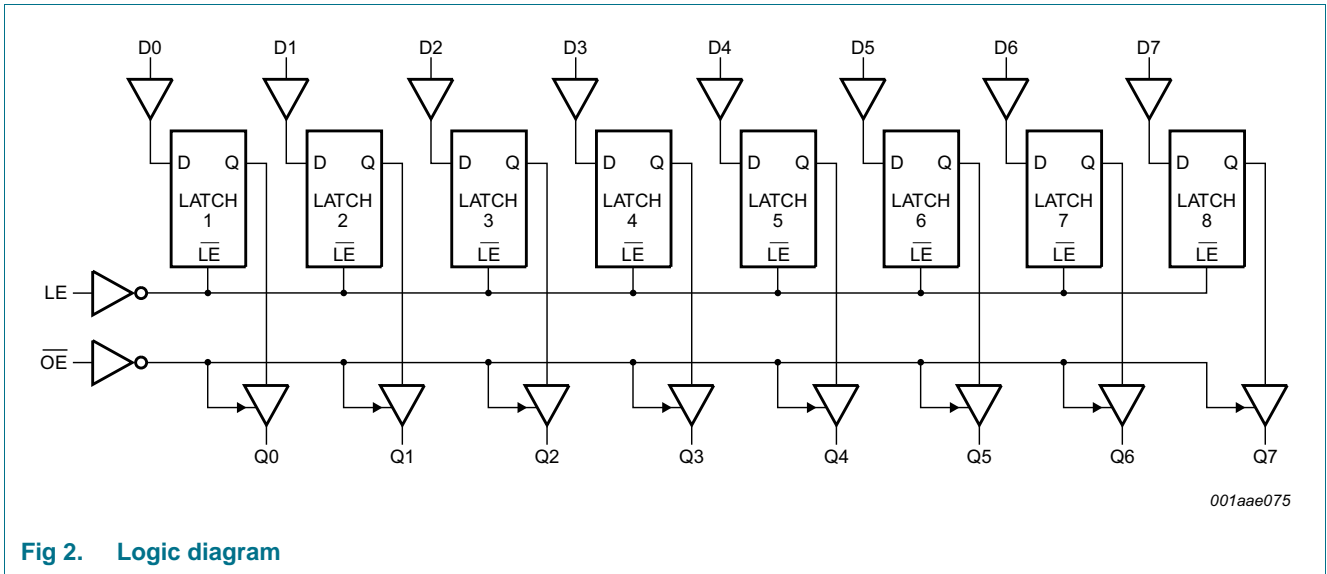
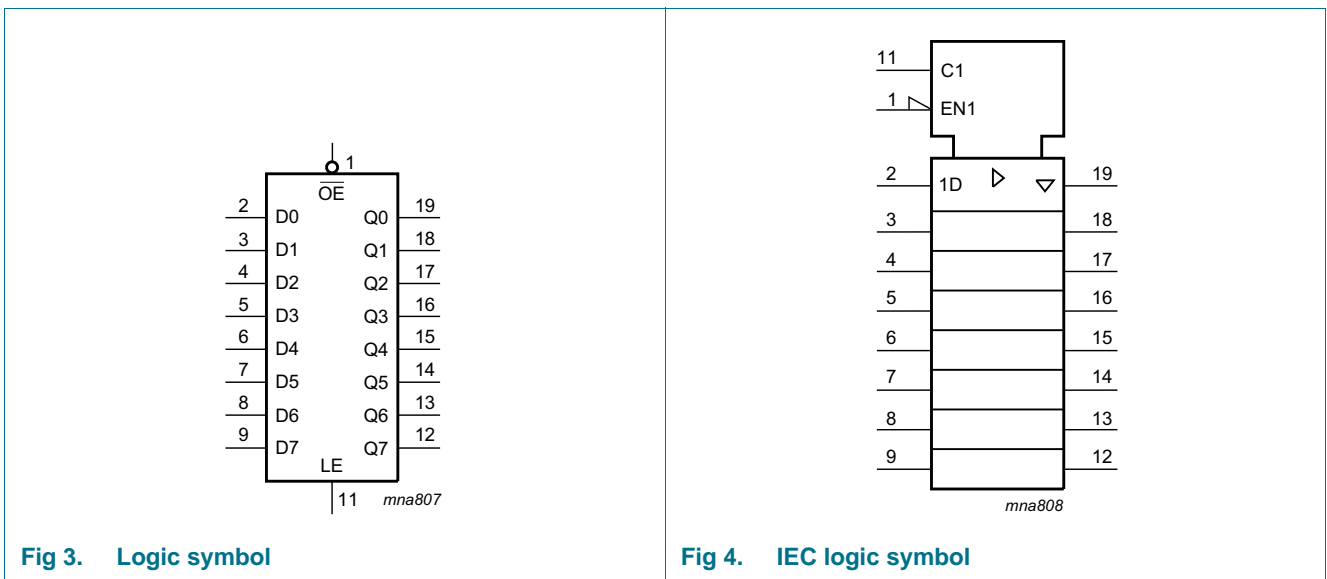


Fig 1. Functional diagram



**Fig 2. Logic diagram**

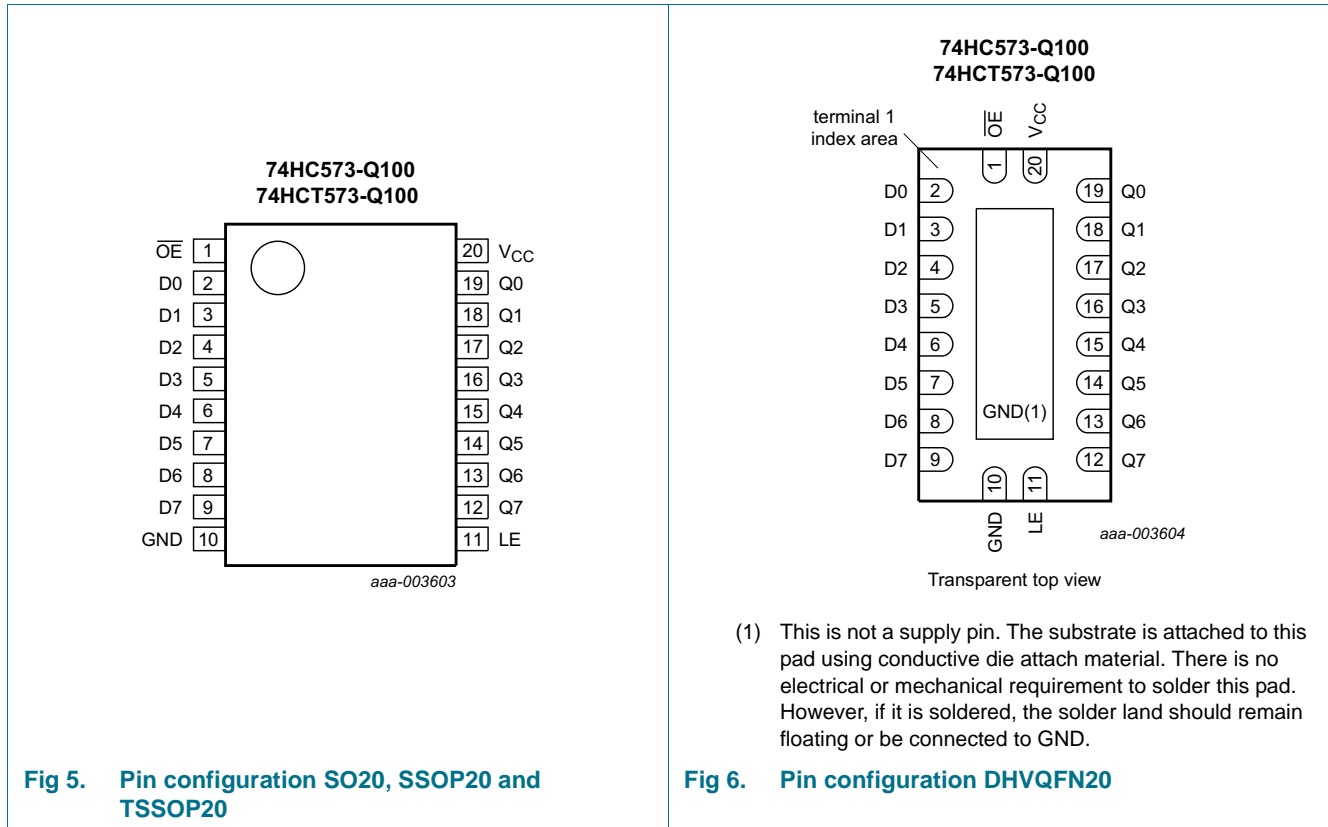


**Fig 3. Logic symbol**

**Fig 4. IEC logic symbol**

## 5. Pinning information

### 5.1 Pinning



### 5.2 Pin description

Table 2. Pin description

| Symbol | Pin                            | Description                              |
|--------|--------------------------------|--|
| OE     | 1                              | 3-state output enable input (active LOW) |
| D[0:7] | 2, 3, 4, 5, 6, 7, 8, 9         | data input                               |
| GND    | 10                             | ground (0 V)                             |
| LE     | 11                             | latch enable input (active HIGH)         |
| Q[0:7] | 19, 18, 17, 16, 15, 14, 13, 12 | 3-state latch output                     |
| VCC    | 20                             | supply voltage                           |

## 6. Functional description

Table 3. Function table<sup>[1]</sup>

| Operating mode                              | Control |    | Input | Internal latches | Output |
|---|---------|----|-------|------------------|--------|
|   | OE      | LE | Dn    |                  | Qn     |
| Enable and read register (transparent mode) | L       | H  | L     | L                | L      |
|   |         |    | H     | H                | H      |
| Latch and read register                     | L       | L  | l     | L                | L      |
|   |         |    | h     | H                | H      |
| Latch register and disable outputs          | H       | L  | l     | L                | Z      |
|   |         |    | h     | H                | Z      |

- [1] H = HIGH voltage level;  
 h = HIGH voltage level one set-up time prior to the HIGH-to-LOW LE transition;  
 L = LOW voltage level;  
 l = LOW voltage level one set-up time prior to the HIGH-to-LOW LE transition;  
 Z = high-impedance OFF-state.

## 7. Limiting values

Table 4. Limiting values

In accordance with the Absolute Maximum Rating System (IEC 60134). Voltages are referenced to GND (ground = 0 V).

| Symbol    | Parameter               | Conditions   | Min  | Max      | Unit |
|-----------|-------------------------|--|------|----------|------|
| $V_{CC}$  | supply voltage          |  | -0.5 | +7       | V    |
| $I_{IK}$  | input clamping current  | $V_I < -0.5\text{ V}$ or $V_I > V_{CC} + 0.5\text{ V}$ | -    | $\pm 20$ | mA   |
| $I_{OK}$  | output clamping current | $V_O < -0.5\text{ V}$ or $V_O > V_{CC} + 0.5\text{ V}$ | -    | $\pm 20$ | mA   |
| $I_O$     | output current          | $V_O = -0.5\text{ V}$ to $(V_{CC} + 0.5\text{ V})$     | -    | $\pm 35$ | mA   |
| $I_{CC}$  | supply current          |  | -    | +70      | mA   |
| $I_{GND}$ | ground current          |  | -    | -70      | mA   |
| $T_{stg}$ | storage temperature     |  | -65  | +150     | °C   |
| $P_{tot}$ | total power dissipation |  | [1]  | 500      | mW   |

- [1] For SO20:  $P_{tot}$  derates linearly with 8 mW/K above 70 °C.  
 For SSOP20 and TSSOP20 packages:  $P_{tot}$  derates linearly with 5.5 mW/K above 60 °C.  
 For DHVQFN20 package:  $P_{tot}$  derates linearly with 4.5 mW/K above 60 °C.

## 8. Recommended operating conditions

**Table 5. Recommended operating conditions**

Voltages are referenced to GND (ground = 0 V)

| Symbol           | Parameter                           | Conditions              | 74HC573-Q100 |      |                 | 74HCT573-Q100 |      |                 | Unit |
|------------------|-------------------------------------|-------------------------|--------------|------|-----------------|---------------|------|-----------------|------|
|                  |                                     |                         | Min          | Typ  | Max             | Min           | Typ  | Max             |      |
| V <sub>CC</sub>  | supply voltage                      |                         | 2.0          | 5.0  | 6.0             | 4.5           | 5.0  | 5.5             | V    |
| V <sub>I</sub>   | input voltage                       |                         | 0            | -    | V <sub>CC</sub> | 0             | -    | V <sub>CC</sub> | V    |
| V <sub>O</sub>   | output voltage                      |                         | 0            | -    | V <sub>CC</sub> | 0             | -    | V <sub>CC</sub> | V    |
| T <sub>amb</sub> | ambient temperature                 |                         | -40          | +25  | +125            | -40           | +25  | +125            | °C   |
| Δt/ΔV            | input transition rise and fall rate | V <sub>CC</sub> = 2.0 V | -            | -    | 625             | -             | -    | -               | ns/V |
|                  |                                     | V <sub>CC</sub> = 4.5 V | -            | 1.67 | 139             | -             | 1.67 | 139             | ns/V |
|                  |                                     | V <sub>CC</sub> = 6.0 V | -            | -    | 83              | -             | -    | -               | ns/V |

## 9. Static characteristics

**Table 6. Static characteristics**

At recommended operating conditions; voltages are referenced to GND (ground = 0 V).

| Symbol              | Parameter                 | Conditions   | 25 °C |      |      | -40 °C to +85 °C |      | -40 °C to +125 °C |       | Unit |
|---------------------|---------------------------|--|-------|------|------|------------------|------|-------------------|-------|------|
|                     |                           |  | Min   | Typ  | Max  | Min              | Max  | Min               | Max   |      |
| <b>74HC573-Q100</b> |                           |  |       |      |      |                  |      |                   |       |      |
| V <sub>IH</sub>     | HIGH-level input voltage  | V <sub>CC</sub> = 2.0 V  | 1.5   | 1.2  | -    | 1.5              | -    | 1.5               | -     | V    |
|                     |                           | V <sub>CC</sub> = 4.5 V  | 3.15  | 2.4  | -    | 3.15             | -    | 3.15              | -     | V    |
|                     |                           | V <sub>CC</sub> = 6.0 V  | 4.2   | 3.2  | -    | 4.2              | -    | 4.2               | -     | V    |
| V <sub>IL</sub>     | LOW-level input voltage   | V <sub>CC</sub> = 2.0 V  | -     | 0.8  | 0.5  | -                | 0.5  | -                 | 0.5   | V    |
|                     |                           | V <sub>CC</sub> = 4.5 V  | -     | 2.1  | 1.35 | -                | 1.35 | -                 | 1.35  | V    |
|                     |                           | V <sub>CC</sub> = 6.0 V  | -     | 2.8  | 1.8  | -                | 1.8  | -                 | 1.8   | V    |
| V <sub>OH</sub>     | HIGH-level output voltage | V <sub>I</sub> = V <sub>IH</sub> or V <sub>IL</sub>  |       |      |      |                  |      |                   |       |      |
|                     |                           | I <sub>O</sub> = -20 μA; V <sub>CC</sub> = 2.0 V   | 1.9   | 2.0  | -    | 1.9              | -    | 1.9               | -     | V    |
|                     |                           | I <sub>O</sub> = -20 μA; V <sub>CC</sub> = 4.5 V   | 4.4   | 4.5  | -    | 4.4              | -    | 4.4               | -     | V    |
|                     |                           | I <sub>O</sub> = -20 μA; V <sub>CC</sub> = 6.0 V   | 5.9   | 6.0  | -    | 5.9              | -    | 5.9               | -     | V    |
|                     |                           | I <sub>O</sub> = -6.0 mA; V <sub>CC</sub> = 4.5 V  | 3.98  | 4.32 | -    | 3.84             | -    | 3.7               | -     | V    |
| V <sub>OL</sub>     | LOW-level output voltage  | V <sub>I</sub> = V <sub>IH</sub> or V <sub>IL</sub>  |       |      |      |                  |      |                   |       |      |
|                     |                           | I <sub>O</sub> = 20 μA; V <sub>CC</sub> = 2.0 V  | -     | 0    | 0.1  | -                | 0.1  | -                 | 0.1   | V    |
|                     |                           | I <sub>O</sub> = 20 μA; V <sub>CC</sub> = 4.5 V  | -     | 0    | 0.1  | -                | 0.1  | -                 | 0.1   | V    |
|                     |                           | I <sub>O</sub> = 20 μA; V <sub>CC</sub> = 6.0 V  | -     | 0    | 0.1  | -                | 0.1  | -                 | 0.1   | V    |
|                     |                           | I <sub>O</sub> = 6.0 mA; V <sub>CC</sub> = 4.5 V   | -     | 0.15 | 0.26 | -                | 0.33 | -                 | 0.4   | V    |
| I <sub>OZ</sub>     | OFF-state output current  | I <sub>O</sub> = 7.8 mA; V <sub>CC</sub> = 6.0 V   | -     | 0.16 | 0.26 | -                | 0.33 | -                 | 0.4   | V    |
|                     |                           | V <sub>I</sub> = V <sub>IH</sub> or V <sub>IL</sub> ; V <sub>O</sub> = V <sub>CC</sub> or GND; V <sub>CC</sub> = 6.0 V | -     | -    | ±0.1 | -                | ±1.0 | -                 | ±1.0  | μA   |
| I <sub>OZ</sub>     | OFF-state output current  | V <sub>I</sub> = V <sub>IH</sub> or V <sub>IL</sub> ; V <sub>O</sub> = V <sub>CC</sub> or GND; V <sub>CC</sub> = 6.0 V | -     | -    | ±0.5 | -                | ±5.0 | -                 | ±10.0 | μA   |

**Table 6. Static characteristics ...continued**

At recommended operating conditions; voltages are referenced to GND (ground = 0 V).

| Symbol               | Parameter                 | Conditions   | 25 °C |      |      | -40 °C to +85 °C |      | -40 °C to +125 °C |      | Unit |
|----------------------|---------------------------|--|-------|------|------|------------------|------|-------------------|------|------|
|                      |                           |  | Min   | Typ  | Max  | Min              | Max  | Min               | Max  |      |
| I <sub>CC</sub>      | supply current            | V <sub>I</sub> = V <sub>CC</sub> or GND; I <sub>O</sub> = 0 A; V <sub>CC</sub> = 6.0 V   | -     | -    | 8.0  | -                | 80   | -                 | 160  | μA   |
| C <sub>I</sub>       | input capacitance         |  | -     | 3.5  | -    |                  |      |                   |      | pF   |
| <b>74HCT573-Q100</b> |                           |  |       |      |      |                  |      |                   |      |      |
| V <sub>IH</sub>      | HIGH-level input voltage  | V <sub>CC</sub> = 4.5 V to 5.5 V   | 2.0   | 1.6  | -    | 2.0              | -    | 2.0               | -    | V    |
| V <sub>IL</sub>      | LOW-level input voltage   | V <sub>CC</sub> = 4.5 V to 5.5 V   | -     | 1.2  | 0.8  | -                | 0.8  | -                 | 0.8  | V    |
| V <sub>OH</sub>      | HIGH-level output voltage | V <sub>I</sub> = V <sub>IH</sub> or V <sub>IL</sub> ; V <sub>CC</sub> = 4.5 V  |       |      |      |                  |      |                   |      |      |
|                      |                           | I <sub>O</sub> = -20 μA  | 4.4   | 4.5  | -    | 4.4              | -    | 4.4               | -    | V    |
|                      |                           | I <sub>O</sub> = -6 mA   | 3.98  | 4.32 | -    | 3.84             | -    | 3.7               | -    | V    |
| V <sub>OL</sub>      | LOW-level output voltage  | V <sub>I</sub> = V <sub>IH</sub> or V <sub>IL</sub> ; V <sub>CC</sub> = 4.5 V  |       |      |      |                  |      |                   |      |      |
|                      |                           | I <sub>O</sub> = 20 μA   | -     | 0    | 0.1  | -                | 0.1  | -                 | 0.1  | V    |
|                      |                           | I <sub>O</sub> = 6.0 mA  | -     | 0.16 | 0.26 | -                | 0.33 | -                 | 0.4  | V    |
| I <sub>I</sub>       | input leakage current     | V <sub>I</sub> = V <sub>CC</sub> or GND; V <sub>CC</sub> = 5.5 V   | -     | -    | ±0.1 | -                | ±1.0 | -                 | ±1.0 | μA   |
| I <sub>OZ</sub>      | OFF-state output current  | V <sub>I</sub> = V <sub>IH</sub> or V <sub>IL</sub> ; V <sub>CC</sub> = 5.5 V; V <sub>O</sub> = V <sub>CC</sub> or GND per input pin; other inputs at V <sub>CC</sub> or GND; I <sub>O</sub> = 0 A | -     | -    | ±0.5 | -                | ±5.0 | -                 | ±10  | μA   |
| I <sub>CC</sub>      | supply current            | V <sub>I</sub> = V <sub>CC</sub> or GND; I <sub>O</sub> = 0 A; V <sub>CC</sub> = 5.5 V   | -     | -    | 8.0  | -                | 80   | -                 | 160  | μA   |
| ΔI <sub>CC</sub>     | additional supply current | V <sub>I</sub> = V <sub>CC</sub> - 2.1 V; other inputs at V <sub>CC</sub> or GND; V <sub>CC</sub> = 4.5 V to 5.5 V; I <sub>O</sub> = 0 A   |       |      |      |                  |      |                   |      |      |
|                      |                           | per input pin; Dn inputs   | -     | 35   | 126  | -                | 158  | -                 | 172  | μA   |
|                      |                           | per input pin; LE input  | -     | 65   | 234  | -                | 293  | -                 | 319  | μA   |
|                      |                           | per input pin; $\overline{OE}$ input   | -     | 125  | 450  | -                | 563  | -                 | 613  | μA   |
| C <sub>I</sub>       | input capacitance         |  | -     | 3.5  | -    | -                | -    | -                 | -    | pF   |



## 10. Dynamic characteristics

**Table 7. Dynamic characteristics**

Voltages are referenced to GND (ground = 0 V);  $C_L = 50$  pF unless otherwise specified; for test circuit see [Figure 11](#).

| Symbol              | Parameter                     | Conditions  | 25 °C |     |     | -40 °C to +85 °C |     | -40 °C to +125 °C |     | Unit |
|---------------------|-------------------------------|---|-------|-----|-----|------------------|-----|-------------------|-----|------|
|                     |                               |   | Min   | Typ | Max | Min              | Max | Min               | Max |      |
| <b>74HC573-Q100</b> |                               |   |       |     |     |                  |     |                   |     |      |
| $t_{pd}$            | propagation delay             | Dn to Qn; see <a href="#">Figure 7</a> [1]                    |       |     |     |                  |     |                   |     |      |
|                     |                               | $V_{CC} = 2.0$ V  | -     | 47  | 150 | -                | 190 | -                 | 225 | ns   |
|                     |                               | $V_{CC} = 4.5$ V  | -     | 17  | 30  | -                | 38  | -                 | 45  | ns   |
|                     |                               | $V_{CC} = 5$ V; $C_L = 15$ pF                                 | -     | 14  | -   | -                | -   | -                 | -   | ns   |
|                     |                               | $V_{CC} = 6.0$ V  | -     | 14  | 26  | -                | 33  | -                 | 38  | ns   |
| $t_{pd}$            | propagation delay             | LE to Qn; see <a href="#">Figure 8</a> [1]                    |       |     |     |                  |     |                   |     |      |
|                     |                               | $V_{CC} = 2.0$ V  | -     | 50  | 150 | -                | 190 | -                 | 225 | ns   |
|                     |                               | $V_{CC} = 4.5$ V  | -     | 18  | 30  | -                | 38  | -                 | 45  | ns   |
|                     |                               | $V_{CC} = 5$ V; $C_L = 15$ pF                                 | -     | 15  | -   | -                | -   | -                 | -   | ns   |
|                     |                               | $V_{CC} = 6.0$ V  | -     | 14  | 26  | -                | 33  | -                 | 38  | ns   |
| $t_{en}$            | enable time                   | OE to Qn; see <a href="#">Figure 9</a> [2]                    |       |     |     |                  |     |                   |     |      |
|                     |                               | $V_{CC} = 2.0$ V  | -     | 44  | 140 | -                | 175 | -                 | 210 | ns   |
|                     |                               | $V_{CC} = 4.5$ V  | -     | 16  | 28  | -                | 35  | -                 | 42  | ns   |
|                     |                               | $V_{CC} = 6.0$ V  | -     | 13  | 24  | -                | 30  | -                 | 36  | ns   |
| $t_{dis}$           | disable time                  | OE to Qn; see <a href="#">Figure 9</a> [3]                    |       |     |     |                  |     |                   |     |      |
|                     |                               | $V_{CC} = 2.0$ V  | -     | 55  | 150 | -                | 190 | -                 | 225 | ns   |
|                     |                               | $V_{CC} = 4.5$ V  | -     | 20  | 30  | -                | 38  | -                 | 45  | ns   |
|                     |                               | $V_{CC} = 6.0$ V  | -     | 16  | 26  | -                | 33  | -                 | 38  | ns   |
| $t_t$               | transition time               | Qn; see <a href="#">Figure 7</a> [4]                          |       |     |     |                  |     |                   |     |      |
|                     |                               | $V_{CC} = 2.0$ V  | -     | 14  | 60  | -                | 75  | -                 | 90  | ns   |
|                     |                               | $V_{CC} = 4.5$ V  | -     | 5   | 12  | -                | 15  | -                 | 18  | ns   |
|                     |                               | $V_{CC} = 6.0$ V  | -     | 4   | 10  | -                | 13  | -                 | 15  | ns   |
| $t_w$               | pulse width                   | LE HIGH; see <a href="#">Figure 8</a>                         |       |     |     |                  |     |                   |     |      |
|                     |                               | $V_{CC} = 2.0$ V  | 80    | 14  | -   | 100              | -   | 120               | -   | ns   |
|                     |                               | $V_{CC} = 4.5$ V  | 16    | 5   | -   | 20               | -   | 24                | -   | ns   |
|                     |                               | $V_{CC} = 6.0$ V  | 14    | 4   | -   | 17               | -   | 20                | -   | ns   |
| $t_{su}$            | set-up time                   | Dn to LE; see <a href="#">Figure 10</a>                       |       |     |     |                  |     |                   |     |      |
|                     |                               | $V_{CC} = 2.0$ V  | 50    | 11  | -   | 65               | -   | 75                | -   | ns   |
|                     |                               | $V_{CC} = 4.5$ V  | 10    | 4   | -   | 13               | -   | 15                | -   | ns   |
|                     |                               | $V_{CC} = 6.0$ V  | 9     | 3   | -   | 11               | -   | 13                | -   | ns   |
| $t_h$               | hold time                     | Dn to LE; see <a href="#">Figure 10</a>                       |       |     |     |                  |     |                   |     |      |
|                     |                               | $V_{CC} = 2.0$ V  | 5     | 3   | -   | 5                | -   | 5                 | -   | ns   |
|                     |                               | $V_{CC} = 4.5$ V  | 5     | 1   | -   | 5                | -   | 5                 | -   | ns   |
|                     |                               | $V_{CC} = 6.0$ V  | 5     | 1   | -   | 5                | -   | 5                 | -   | ns   |
| $C_{PD}$            | power dissipation capacitance | $C_L = 50$ pF; $f = 1$ MHz; $V_1 = \text{GND to } V_{CC}$ [5] | -     | 26  | -   | -                | -   | -                 | -   | pF   |

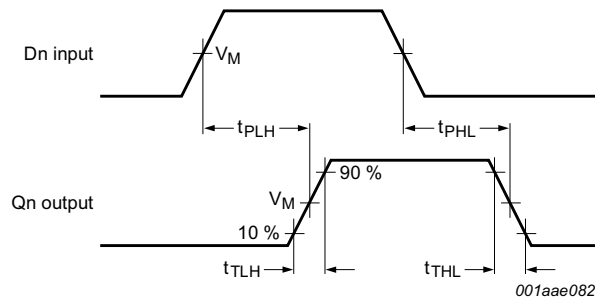
**Table 7. Dynamic characteristics ...continued**

*Voltages are referenced to GND (ground = 0 V); C<sub>L</sub> = 50 pF unless otherwise specified; for test circuit see [Figure 11](#).*

| Symbol               | Parameter                     | Conditions   | 25 °C |     |     | -40 °C to +85 °C |     | -40 °C to +125 °C |     | Unit |
|----------------------|-------------------------------|--|-------|-----|-----|------------------|-----|-------------------|-----|------|
|                      |                               |  | Min   | Typ | Max | Min              | Max | Min               | Max |      |
| <b>74HCT573-Q100</b> |                               |  |       |     |     |                  |     |                   |     |      |
| t <sub>pd</sub>      | propagation delay             | Dn to Qn; see <a href="#">Figure 7</a> [1]   |       |     |     |                  |     |                   |     |      |
|                      |                               | V <sub>CC</sub> = 4.5 V  | -     | 20  | 35  | -                | 44  | -                 | 53  | ns   |
|                      |                               | V <sub>CC</sub> = 5 V; C <sub>L</sub> = 15 pF  | -     | 17  | -   | -                | -   | -                 | -   | ns   |
| t <sub>pd</sub>      | propagation delay             | LE to Qn; see <a href="#">Figure 8</a> [1]   |       |     |     |                  |     |                   |     |      |
|                      |                               | V <sub>CC</sub> = 4.5 V  | -     | 18  | 35  | -                | 44  | -                 | 53  | ns   |
|                      |                               | V <sub>CC</sub> = 5 V; C <sub>L</sub> = 15 pF  | -     | 15  | -   | -                | -   | -                 | -   | ns   |
| t <sub>en</sub>      | enable time                   | $\overline{OE}$ to Qn; see <a href="#">Figure 9</a> [2]                                |       |     |     |                  |     |                   |     |      |
|                      |                               | V <sub>CC</sub> = 4.5 V  | -     | 17  | 30  | -                | 38  | -                 | 45  | ns   |
| t <sub>dis</sub>     | disable time                  | $\overline{OE}$ to Qn; see <a href="#">Figure 9</a> [3]                                |       |     |     |                  |     |                   |     |      |
|                      |                               | V <sub>CC</sub> = 4.5 V  | -     | 18  | 30  | -                | 38  | -                 | 45  | ns   |
| t <sub>t</sub>       | transition time               | Qn; see <a href="#">Figure 7</a> [4]   |       |     |     |                  |     |                   |     |      |
|                      |                               | V <sub>CC</sub> = 4.5 V  | -     | 5   | 12  | -                | 15  | -                 | 18  | ns   |
| t <sub>W</sub>       | pulse width                   | LE HIGH; see <a href="#">Figure 8</a>  |       |     |     |                  |     |                   |     |      |
|                      |                               | V <sub>CC</sub> = 4.5 V  | 16    | 5   | -   | 20               | -   | 24                | -   | ns   |
| t <sub>su</sub>      | set-up time                   | Dn to LE; see <a href="#">Figure 10</a>  |       |     |     |                  |     |                   |     |      |
|                      |                               | V <sub>CC</sub> = 4.5 V  | 13    | 7   | -   | 16               | -   | 20                | -   | ns   |
| t <sub>h</sub>       | hold time                     | Dn to LE; see <a href="#">Figure 10</a>  |       |     |     |                  |     |                   |     |      |
|                      |                               | V <sub>CC</sub> = 4.5 V  | 9     | 4   | -   | 11               | -   | 15                | -   | ns   |
| C <sub>PD</sub>      | power dissipation capacitance | C <sub>L</sub> = 50 pF; f = 1 MHz; V <sub>I</sub> = GND to V <sub>CC</sub> - 1.5 V [5] | -     | 26  | -   | -                | -   | -                 | -   | pF   |

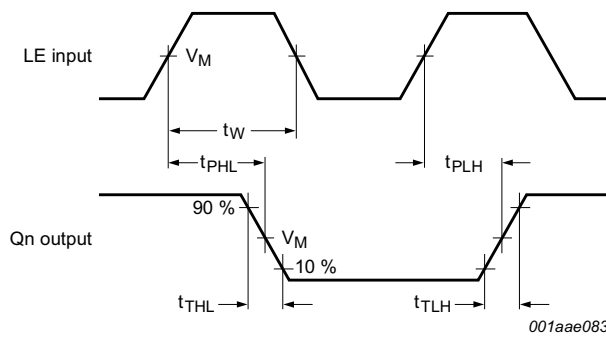
- [1] t<sub>pd</sub> is the same as t<sub>PLH</sub> and t<sub>PHL</sub>.
- [2] t<sub>en</sub> is the same as t<sub>PZH</sub> and t<sub>PZL</sub>.
- [3] t<sub>dis</sub> is the same as t<sub>PLZ</sub> and t<sub>PHZ</sub>.
- [4] t<sub>t</sub> is the same as t<sub>THL</sub> and t<sub>TLH</sub>.
- [5] C<sub>PD</sub> is used to determine the dynamic power dissipation (P<sub>D</sub> in μW).  
 $P_D = C_{PD} \times V_{CC}^2 \times f_i \times N + \sum(C_L \times V_{CC}^2 \times f_o)$  where:  
 f<sub>i</sub> = input frequency in MHz;  
 f<sub>o</sub> = output frequency in MHz;  
 C<sub>L</sub> = output load capacitance in pF;  
 V<sub>CC</sub> = supply voltage in V;  
 N = number of inputs switching;  
 $\sum(C_L \times V_{CC}^2 \times f_o)$  = sum of outputs.

## 11. Waveforms



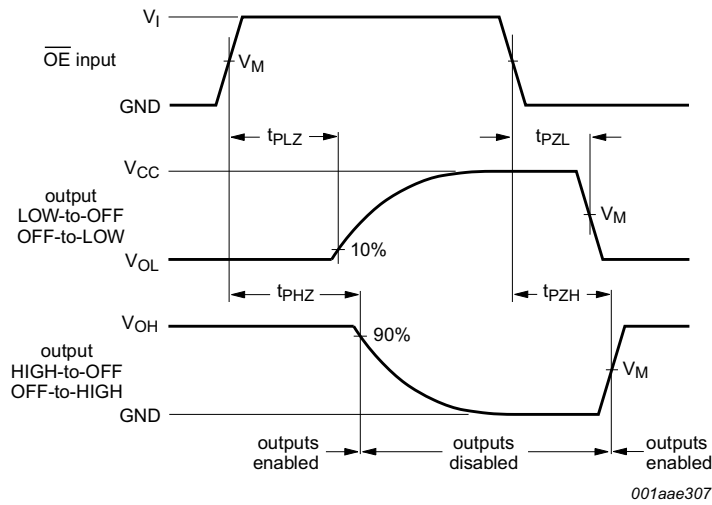
Measurement points are given in [Table 8](#).

**Fig 7. Propagation delay data input (Dn) to output (Qn) and output transition time**



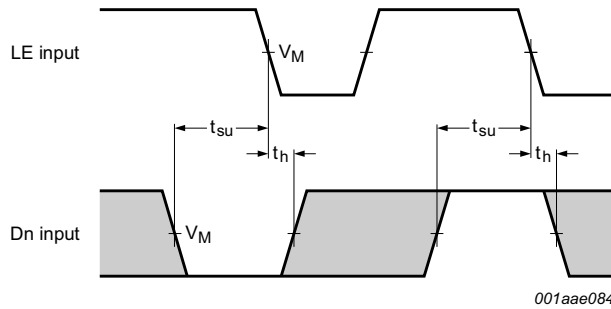
Measurement points are given in [Table 8](#).

**Fig 8. Pulse width latch enable input (LE), propagation delay latch enable input (LE) to output (Qn) and output transition time**



Measurement points are given in [Table 8](#).  
 $V_{OL}$  and  $V_{OH}$  are typical voltage output levels that occur with the output load.

**Fig 9. Enable and disable times**

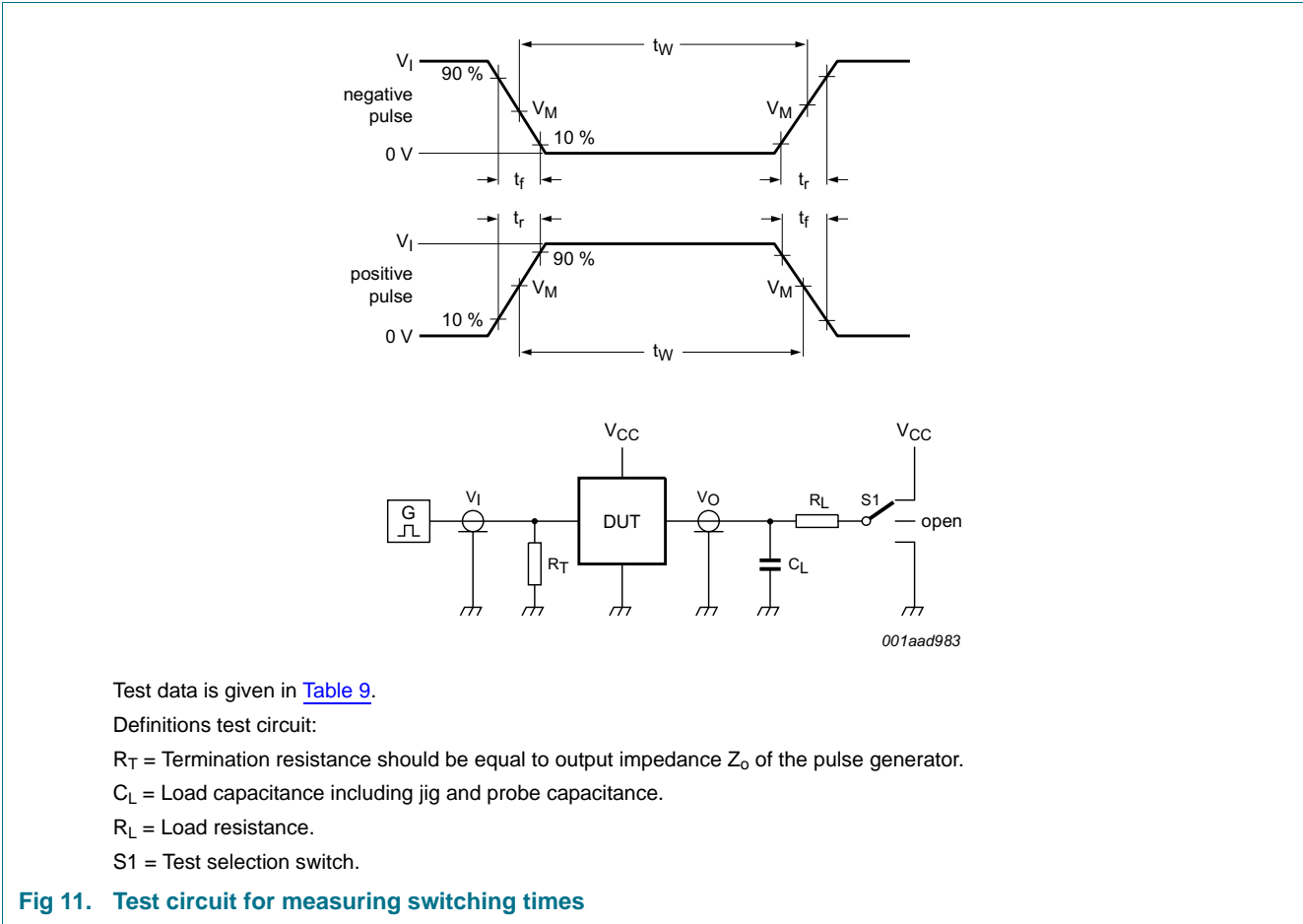


Measurement points are given in [Table 8](#).  
 The shaded areas indicate when the input is permitted to change for predictable output performance.

**Fig 10. Set-up and hold times for data input (Dn) to latch input (LE)**

**Table 8. Measurement points**

| Type          | Input       | Output      |
|---------------|-------------|-------------|
|               | $V_M$       | $V_M$       |
| 74HC573-Q100  | $0.5V_{CC}$ | $0.5V_{CC}$ |
| 74HCT573-Q100 | 1.3 V       | 1.3 V       |



**Table 9. Test data**

| Type          | Input    |            | Load         |              | S1 position        |                    |                    |
|---------------|----------|------------|--------------|--------------|--------------------|--------------------|--------------------|
|               | $V_I$    | $t_r, t_f$ | $C_L$        | $R_L$        | $t_{PHL}, t_{PLH}$ | $t_{PZH}, t_{PHZ}$ | $t_{PZL}, t_{PLZ}$ |
| 74HC573-Q100  | $V_{CC}$ | 6 ns       | 15 pF, 50 pF | 1 k $\Omega$ | open               | GND                | $V_{CC}$           |
| 74HCT573-Q100 | 3 V      | 6 ns       | 15 pF, 50 pF | 1 k $\Omega$ | open               | GND                | $V_{CC}$           |

12. Package outline

SO20: plastic small outline package; 20 leads; body width 7.5 mm

SOT163-1

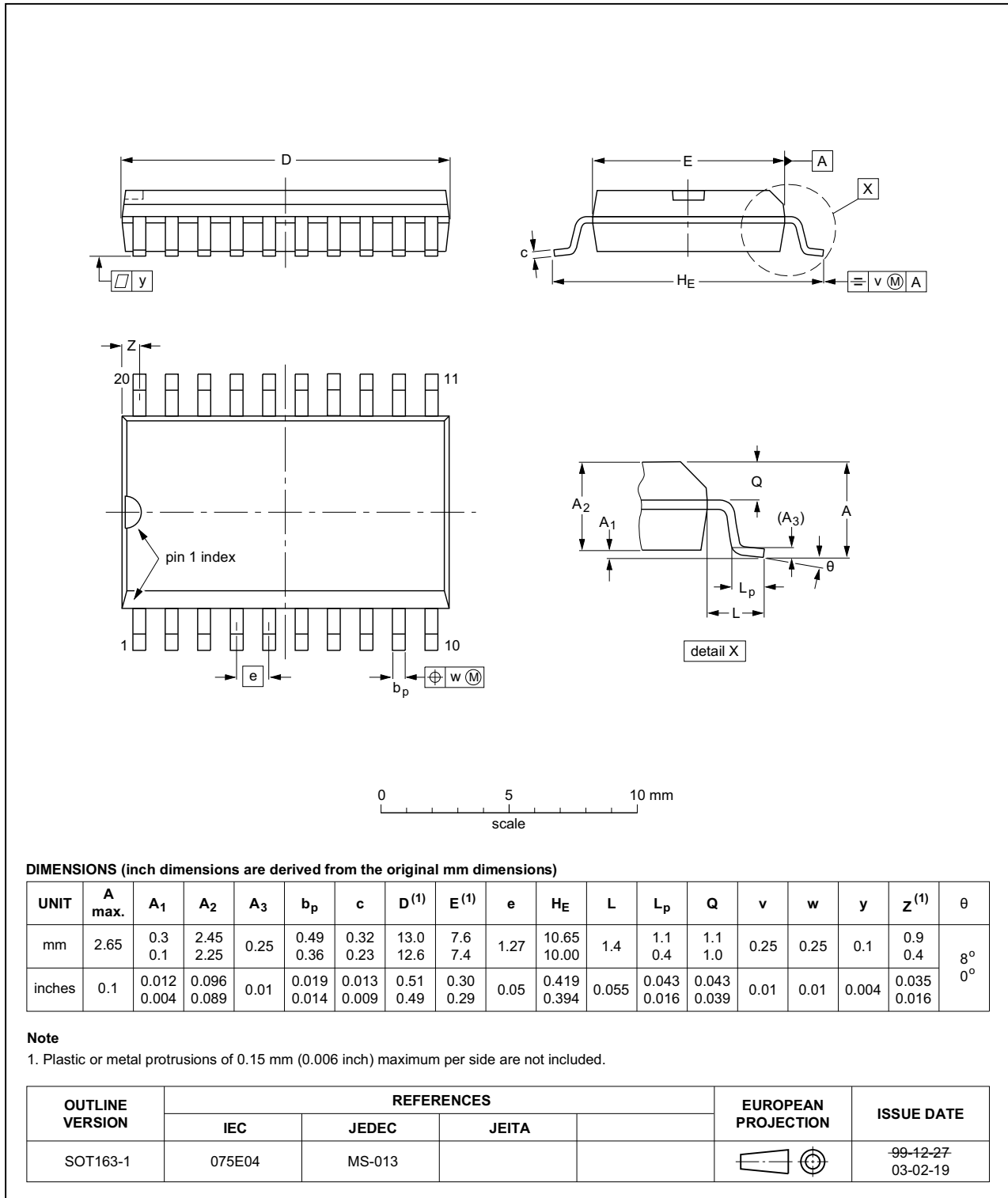


Fig 12. Package outline SOT163-1 (SO20)

SSOP20: plastic shrink small outline package; 20 leads; body width 5.3 mm

SOT339-1

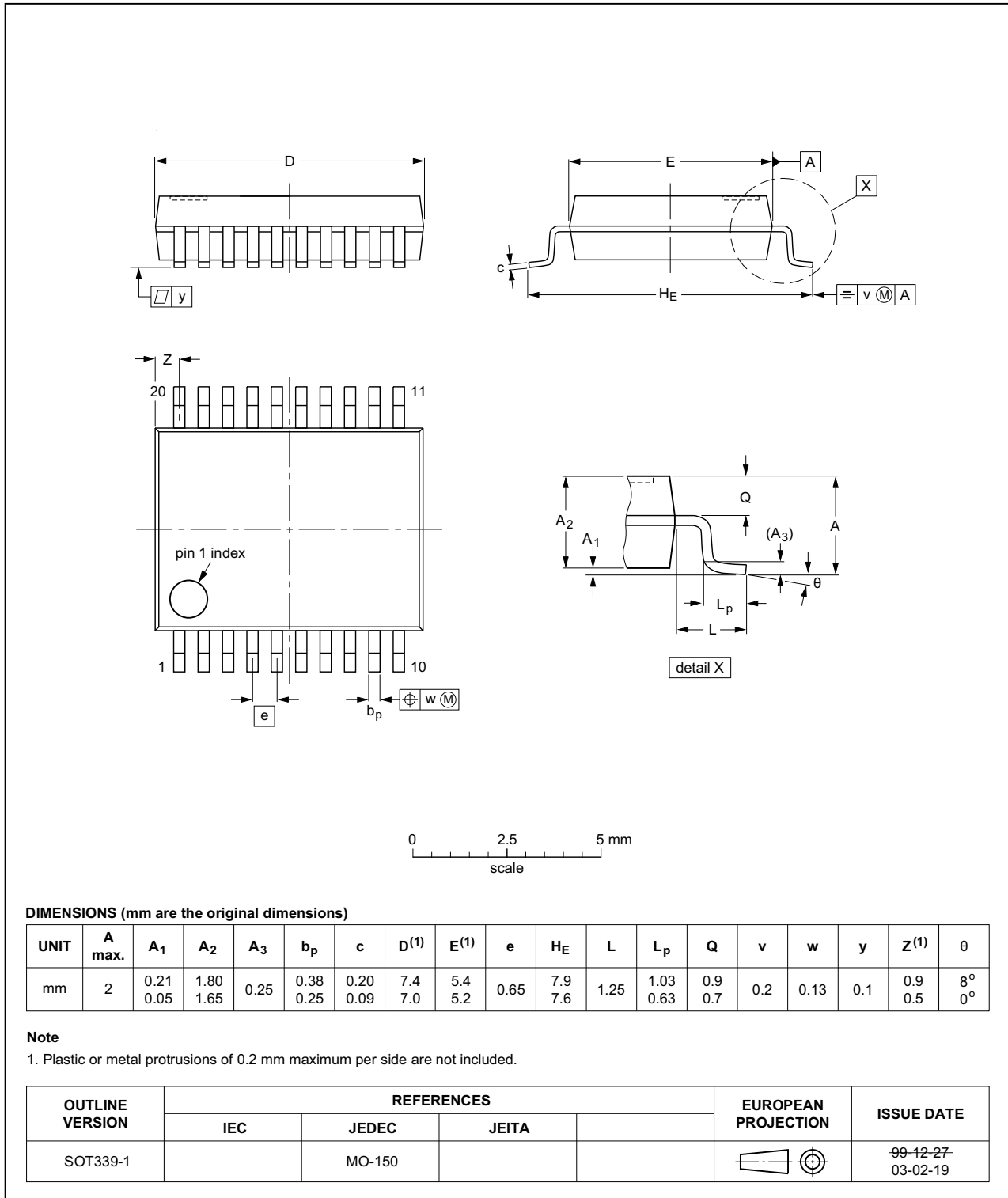


Fig 13. Package outline SOT339-1 (SSOP20)

TSSOP20: plastic thin shrink small outline package; 20 leads; body width 4.4 mm

SOT360-1

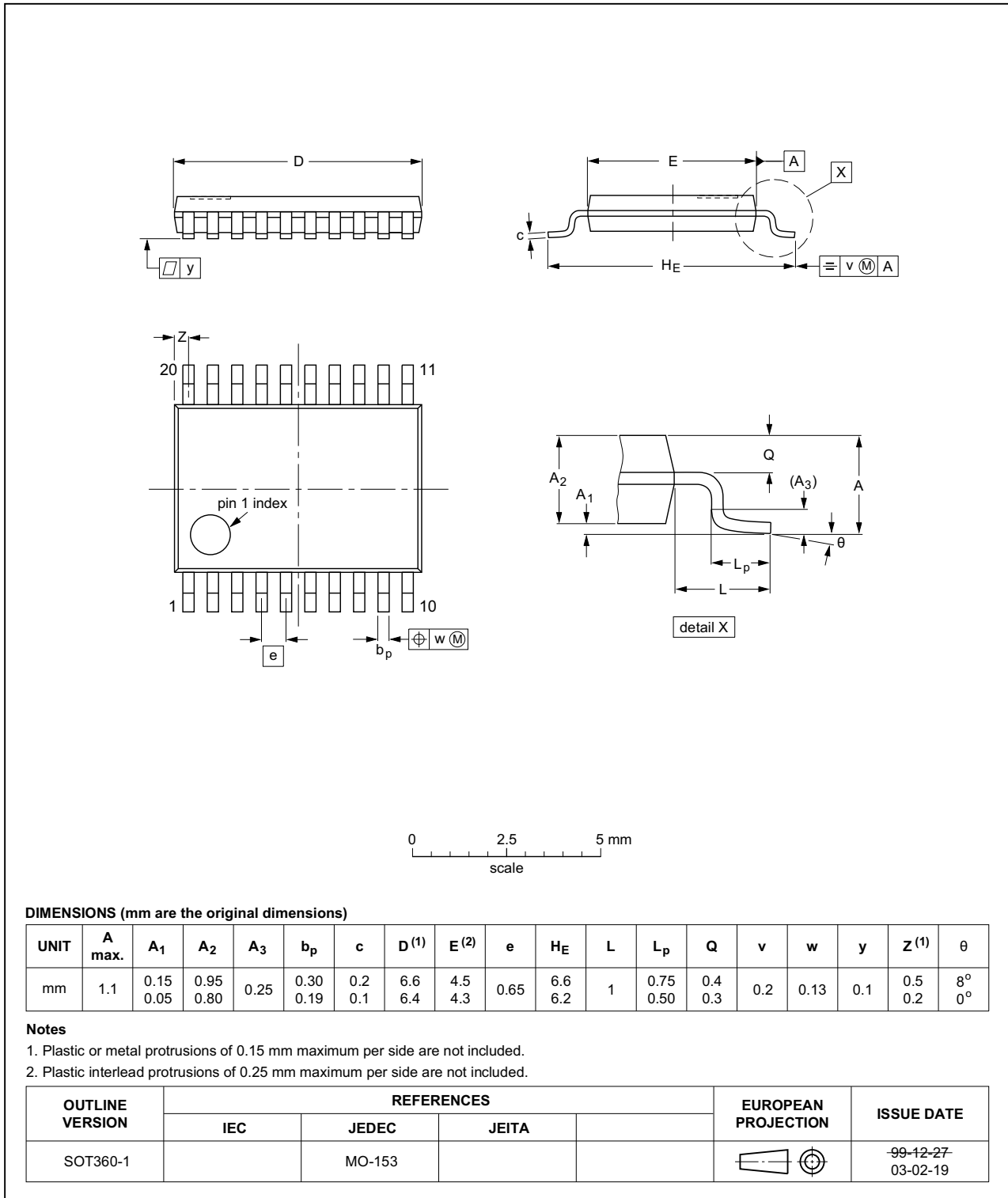
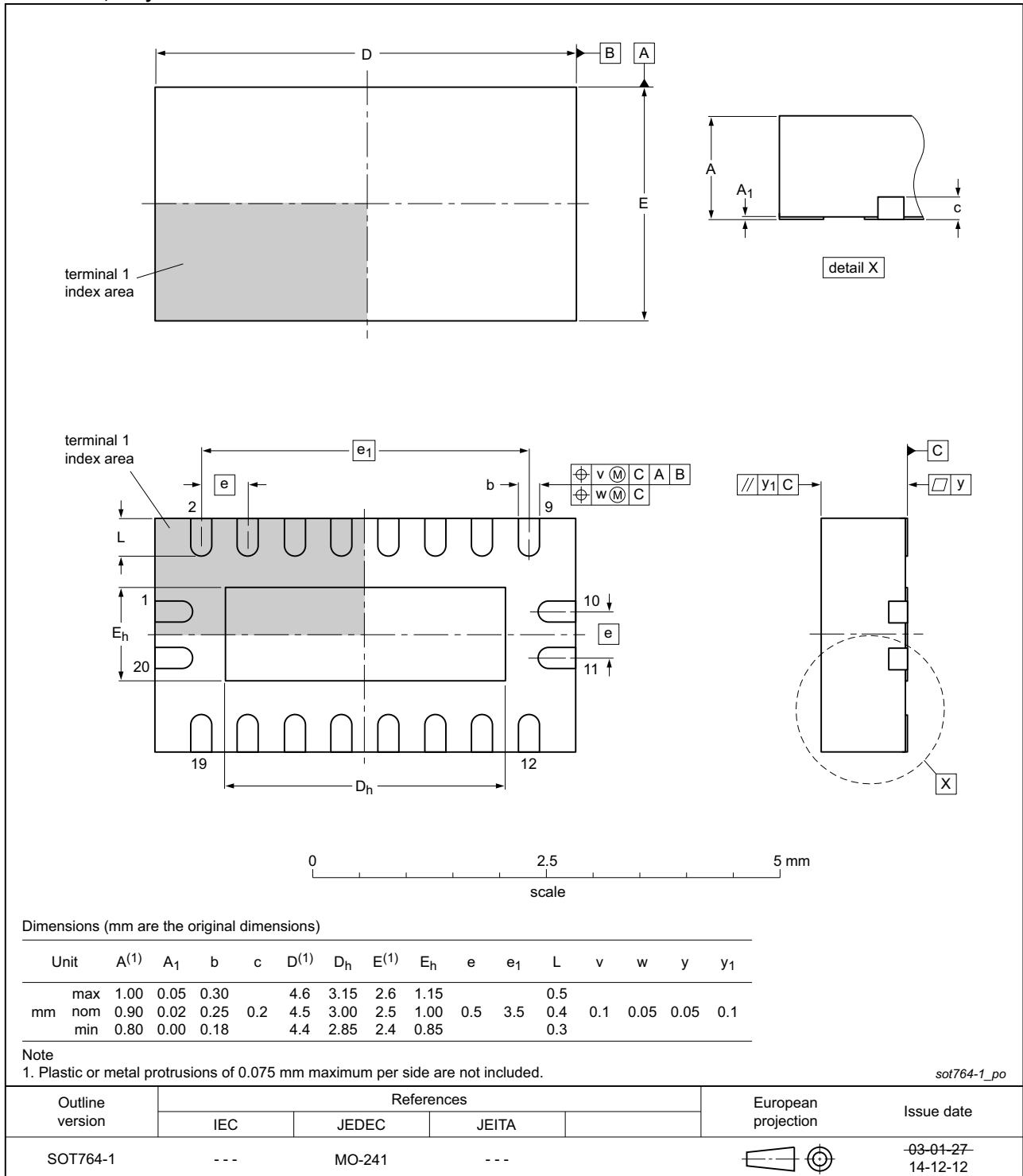


Fig 14. Package outline SOT360-1 (TSSOP20)



**DHVQFN20: plastic dual in-line compatible thermal enhanced very thin quad flat package; no leads; 20 terminals; body 2.5 x 4.5 x 0.85 mm**

**SOT764-1**



**Fig 15. Package outline SOT764-1 (DHVQFN20)**

## 13. Abbreviations

Table 10. Abbreviations

| Acronym | Description                             |
|---------|---|
| CMOS    | Complementary Metal Oxide Semiconductor |
| DUT     | Device Under Test                       |
| ESD     | ElectroStatic Discharge                 |
| HBM     | Human Body Model                        |
| MM      | Machine Model                           |
| TTL     | Transistor-Transistor Logic             |
| MIL     | Military                                |

## 14. Revision history

Table 11. Revision history

| Document ID          | Release date   | Data sheet status  | Change notice | Supersedes           |
|----------------------|--|--------------------|---------------|----------------------|
| 74HC_HCT573_Q100 v.4 | 20150126   | Product data sheet | -             | 74HC_HCT573_Q100 v.3 |
| Modifications:       | <ul style="list-style-type: none"> <li>• <a href="#">Table 7</a>: Power dissipation capacitance condition for 74HCT573-Q100 is corrected.</li> </ul> |                    |               |                      |
| 74HC_HCT573_Q100 v.3 | 20130305   | Product data sheet | -             | 74HC_HCT573_Q100 v.2 |
| Modifications:       | <ul style="list-style-type: none"> <li>• 74HC573DB-Q100 and 74HCT573DB-Q100 added.</li> </ul>  |                    |               |                      |
| 74HC_HCT573_Q100 v.2 | 20120816   | Product data sheet | -             | 74HC_HCT573_Q100 v.1 |
| 74HC_HCT573_Q100 v.1 | 20120802   | Product data sheet | -             | -                    |

## 15. Legal information

### 15.1 Data sheet status

| Document status <sup>[1][2]</sup> | Product status <sup>[3]</sup> | Definition  |
|-----------------------------------|-------------------------------|---|
| Objective [short] data sheet      | Development                   | This document contains data from the objective specification for product development. |
| Preliminary [short] data sheet    | Qualification                 | This document contains data from the preliminary specification.                       |
| Product [short] data sheet        | Production                    | This document contains the product specification.                                     |

[1] Please consult the most recently issued document before initiating or completing a design.

[2] The term 'short data sheet' is explained in section "Definitions".

[3] The product status of device(s) described in this document may have changed since this document was published and may differ in case of multiple devices. The latest product status information is available on the Internet at URL <http://www.nxp.com>.

### 15.2 Definitions

**Draft** — The document is a draft version only. The content is still under internal review and subject to formal approval, which may result in modifications or additions. NXP Semiconductors does not give any representations or warranties as to the accuracy or completeness of information included herein and shall have no liability for the consequences of use of such information.

**Short data sheet** — A short data sheet is an extract from a full data sheet with the same product type number(s) and title. A short data sheet is intended for quick reference only and should not be relied upon to contain detailed and full information. For detailed and full information see the relevant full data sheet, which is available on request via the local NXP Semiconductors sales office. In case of any inconsistency or conflict with the short data sheet, the full data sheet shall prevail.

**Product specification** — The information and data provided in a Product data sheet shall define the specification of the product as agreed between NXP Semiconductors and its customer, unless NXP Semiconductors and customer have explicitly agreed otherwise in writing. In no event however, shall an agreement be valid in which the NXP Semiconductors product is deemed to offer functions and qualities beyond those described in the Product data sheet.

### 15.3 Disclaimers

**Limited warranty and liability** — Information in this document is believed to be accurate and reliable. However, NXP Semiconductors does not give any representations or warranties, expressed or implied, as to the accuracy or completeness of such information and shall have no liability for the consequences of use of such information. NXP Semiconductors takes no responsibility for the content in this document if provided by an information source outside of NXP Semiconductors.

In no event shall NXP Semiconductors be liable for any indirect, incidental, punitive, special or consequential damages (including - without limitation - lost profits, lost savings, business interruption, costs related to the removal or replacement of any products or rework charges) whether or not such damages are based on tort (including negligence), warranty, breach of contract or any other legal theory.

Notwithstanding any damages that customer might incur for any reason whatsoever, NXP Semiconductors' aggregate and cumulative liability towards customer for the products described herein shall be limited in accordance with the *Terms and conditions of commercial sale* of NXP Semiconductors.

**Right to make changes** — NXP Semiconductors reserves the right to make changes to information published in this document, including without limitation specifications and product descriptions, at any time and without notice. This document supersedes and replaces all information supplied prior to the publication hereof.

**Suitability for use in automotive applications** — This NXP Semiconductors product has been qualified for use in automotive applications. Unless otherwise agreed in writing, the product is not designed, authorized or warranted to be suitable for use in life support, life-critical or safety-critical systems or equipment, nor in applications where failure or malfunction of an NXP Semiconductors product can reasonably be expected to result in personal injury, death or severe property or environmental damage. NXP Semiconductors and its suppliers accept no liability for inclusion and/or use of NXP Semiconductors products in such equipment or applications and therefore such inclusion and/or use is at the customer's own risk.

**Applications** — Applications that are described herein for any of these products are for illustrative purposes only. NXP Semiconductors makes no representation or warranty that such applications will be suitable for the specified use without further testing or modification.

Customers are responsible for the design and operation of their applications and products using NXP Semiconductors products, and NXP Semiconductors accepts no liability for any assistance with applications or customer product design. It is customer's sole responsibility to determine whether the NXP Semiconductors product is suitable and fit for the customer's applications and products planned, as well as for the planned application and use of customer's third party customer(s). Customers should provide appropriate design and operating safeguards to minimize the risks associated with their applications and products.

NXP Semiconductors does not accept any liability related to any default, damage, costs or problem which is based on any weakness or default in the customer's applications or products, or the application or use by customer's third party customer(s). Customer is responsible for doing all necessary testing for the customer's applications and products using NXP Semiconductors products in order to avoid a default of the applications and the products or of the application or use by customer's third party customer(s). NXP does not accept any liability in this respect.

**Limiting values** — Stress above one or more limiting values (as defined in the Absolute Maximum Ratings System of IEC 60134) will cause permanent damage to the device. Limiting values are stress ratings only and (proper) operation of the device at these or any other conditions above those given in the Recommended operating conditions section (if present) or the Characteristics sections of this document is not warranted. Constant or repeated exposure to limiting values will permanently and irreversibly affect the quality and reliability of the device.

**Terms and conditions of commercial sale** — NXP Semiconductors products are sold subject to the general terms and conditions of commercial sale, as published at <http://www.nxp.com/profile/terms>, unless otherwise agreed in a valid written individual agreement. In case an individual agreement is concluded only the terms and conditions of the respective agreement shall apply. NXP Semiconductors hereby expressly objects to applying the customer's general terms and conditions with regard to the purchase of NXP Semiconductors products by customer.

**No offer to sell or license** — Nothing in this document may be interpreted or construed as an offer to sell products that is open for acceptance or the grant, conveyance or implication of any license under any copyrights, patents or other industrial or intellectual property rights.

**Export control** — This document as well as the item(s) described herein may be subject to export control regulations. Export might require a prior authorization from competent authorities.

**Translations** — A non-English (translated) version of a document is for reference only. The English version shall prevail in case of any discrepancy between the translated and English versions.

## 15.4 Trademarks

Notice: All referenced brands, product names, service names and trademarks are the property of their respective owners.

## 16. Contact information

---

For more information, please visit: <http://www.nxp.com>

For sales office addresses, please send an email to: [salesaddresses@nxp.com](mailto:salesaddresses@nxp.com)

## 17. Contents

---

|           |   |           |
|-----------|---|-----------|
| <b>1</b>  | <b>General description</b> .....              | <b>1</b>  |
| <b>2</b>  | <b>Features and benefits</b> .....            | <b>1</b>  |
| <b>3</b>  | <b>Ordering information</b> .....             | <b>2</b>  |
| <b>4</b>  | <b>Functional diagram</b> .....               | <b>2</b>  |
| <b>5</b>  | <b>Pinning information</b> .....              | <b>4</b>  |
| 5.1       | Pinning .....                                 | 4         |
| 5.2       | Pin description .....                         | 4         |
| <b>6</b>  | <b>Functional description</b> .....           | <b>5</b>  |
| <b>7</b>  | <b>Limiting values</b> .....                  | <b>5</b>  |
| <b>8</b>  | <b>Recommended operating conditions</b> ..... | <b>6</b>  |
| <b>9</b>  | <b>Static characteristics</b> .....           | <b>6</b>  |
| <b>10</b> | <b>Dynamic characteristics</b> .....          | <b>8</b>  |
| <b>11</b> | <b>Waveforms</b> .....                        | <b>10</b> |
| <b>12</b> | <b>Package outline</b> .....                  | <b>13</b> |
| <b>13</b> | <b>Abbreviations</b> .....                    | <b>17</b> |
| <b>14</b> | <b>Revision history</b> .....                 | <b>17</b> |
| <b>15</b> | <b>Legal information</b> .....                | <b>18</b> |
| 15.1      | Data sheet status .....                       | 18        |
| 15.2      | Definitions .....                             | 18        |
| 15.3      | Disclaimers .....                             | 18        |
| 15.4      | Trademarks .....                              | 19        |
| <b>16</b> | <b>Contact information</b> .....              | <b>19</b> |
| <b>17</b> | <b>Contents</b> .....                         | <b>20</b> |

---

Please be aware that important notices concerning this document and the product(s) described herein, have been included in section 'Legal information'.

---

© NXP Semiconductors N.V. 2015. **All rights reserved.**

For more information, please visit: <http://www.nxp.com>

For sales office addresses, please send an email to: [salesaddresses@nxp.com](mailto:salesaddresses@nxp.com)

Date of release: 26 January 2015

Document identifier: 74HC\_HCT573\_Q100