



Is Now Part of



**ON Semiconductor®**

To learn more about ON Semiconductor, please visit our website at  
[www.onsemi.com](http://www.onsemi.com)

ON Semiconductor and the ON Semiconductor logo are trademarks of Semiconductor Components Industries, LLC dba ON Semiconductor or its subsidiaries in the United States and/or other countries. ON Semiconductor owns the rights to a number of patents, trademarks, copyrights, trade secrets, and other intellectual property. A listing of ON Semiconductor's product/patent coverage may be accessed at [www.onsemi.com/site/pdf/Patent-Marking.pdf](http://www.onsemi.com/site/pdf/Patent-Marking.pdf). ON Semiconductor reserves the right to make changes without further notice to any products herein. ON Semiconductor makes no warranty, representation or guarantee regarding the suitability of its products for any particular purpose, nor does ON Semiconductor assume any liability arising out of the application or use of any product or circuit, and specifically disclaims any and all liability, including without limitation special, consequential or incidental damages. Buyer is responsible for its products and applications using ON Semiconductor products, including compliance with all laws, regulations and safety requirements or standards, regardless of any support or applications information provided by ON Semiconductor. "Typical" parameters which may be provided in ON Semiconductor data sheets and/or specifications can and do vary in different applications and actual performance may vary over time. All operating parameters, including "Typicals" must be validated for each customer application by customer's technical experts. ON Semiconductor does not convey any license under its patent rights nor the rights of others. ON Semiconductor products are not designed, intended, or authorized for use as a critical component in life support systems or any FDA Class 3 medical devices or medical devices with a same or similar classification in a foreign jurisdiction or any devices intended for implantation in the human body. Should Buyer purchase or use ON Semiconductor products for any such unintended or unauthorized application, Buyer shall indemnify and hold ON Semiconductor and its officers, employees, subsidiaries, affiliates, and distributors harmless against all claims, costs, damages, and expenses, and reasonable attorney fees arising out of, directly or indirectly, any claim of personal injury or death associated with such unintended or unauthorized use, even if such claim alleges that ON Semiconductor was negligent regarding the design or manufacture of the part. ON Semiconductor is an Equal Opportunity/Affirmative Action Employer. This literature is subject to all applicable copyright laws and is not for resale in any manner.

# 74LVX74

## Low Voltage Dual D-Type Positive Edge-Triggered Flip-Flop

### Features

- Input voltage level translation from 5V to 3V
- Ideal for low power/low noise 3.3V applications
- Guaranteed simultaneous switching noise level and dynamic threshold performance

### General Description

The LVX74 is a dual D-type flip-flop with Asynchronous Clear and Set inputs and complementary (Q,  $\bar{Q}$ ) outputs. Information at the input is transferred to the outputs on the positive edge of the clock pulse. After the Clock Pulse input threshold voltage has been passed, the Data input is locked out and information present will not be transferred to the outputs until the next rising edge of the Clock Pulse input.


Asynchronous Inputs:

- LOW input to  $\bar{S}_D$  (Set) sets Q to HIGH level
- LOW input to  $\bar{C}_D$  (Clear) sets Q to LOW level
- Clear and Set are independent of clock
- Simultaneous LOW on  $\bar{C}_D$  and  $\bar{S}_D$  makes both Q and  $\bar{Q}$  HIGH

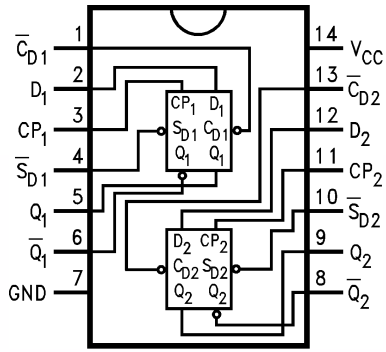
### Ordering Information

| Order Number | Package Number | Package Description  |
|--------------|----------------|--|
| 74LVX74M     | M14A           | 14-Lead Small Outline Integrated Circuit (SOIC), JEDEC MS-012, 0.150" Narrow |
| 74LVX74SJ    | M14D           | 14-Lead Small Outline Package (SOP), EIAJ TYPE II, 5.3mm Wide                |
| 74LVX74MTC   | MTC14          | 14-Lead Thin Shrink Small Outline Package (TSSOP), JEDEC MO-153, 4.4mm Wide  |

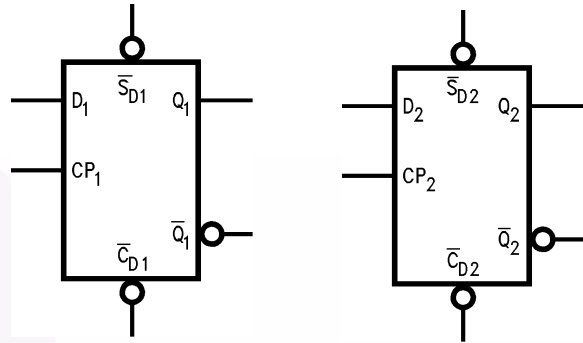
Device also available in Tape and Reel. Specify by appending suffix letter "X" to the ordering number.

 All packages are lead free per JEDEC: J-STD-020B standard.

### Connection Diagram



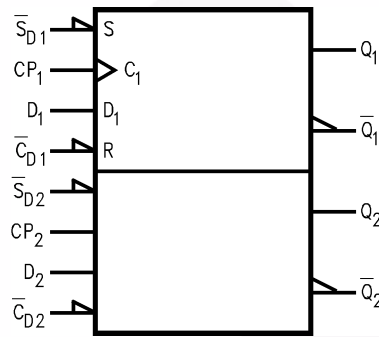
### Logic Symbols



### Pin Description

| Pin Names   | Description         |
|---|---------------------|
| D <sub>1</sub> , D <sub>2</sub>                                       | Data Inputs         |
| CP <sub>1</sub> , CP <sub>2</sub>                                     | Clock Pulse Inputs  |
| $\overline{C}_{D1}$ , $\overline{C}_{D2}$                             | Direct Clear Inputs |
| $\overline{S}_{D1}$ , $\overline{S}_{D2}$                             | Direct Set Inputs   |
| Q <sub>1</sub> , $\overline{Q}_1$ , Q <sub>2</sub> , $\overline{Q}_2$ | Outputs             |

### IEEE/IEC



### Truth Table

(Each Half)

| Inputs           |                  |    |   | Outputs        |                  |
|------------------|------------------|----|---|----------------|------------------|
| $\overline{S}_D$ | $\overline{C}_D$ | CP | D | Q              | $\overline{Q}$   |
| L                | H                | X  | X | H              | L                |
| H                | L                | X  | X | L              | H                |
| L                | L                | X  | X | H              | H                |
| H                | H                | ↗  | H | H              | L                |
| H                | H                | ↗  | L | L              | H                |
| H                | H                | L  | X | Q <sub>0</sub> | $\overline{Q}_0$ |

H = HIGH Voltage Level

L = LOW Voltage Level

X = Immaterial

↗ = LOW-to-HIGH Clock Transition

Q<sub>0</sub>( $\overline{Q}_0$ ) = Previous Q( $\overline{Q}$ ) before LOW-to-HIGH Transition of Clock

## Absolute Maximum Ratings

Stresses exceeding the absolute maximum ratings may damage the device. The device may not function or be operable above the recommended operating conditions and stressing the parts to these levels is not recommended. In addition, extended exposure to stresses above the recommended operating conditions may affect device reliability. The absolute maximum ratings are stress ratings only.

| Symbol                | Parameter                                | Rating                   |
|-----------------------|--|--------------------------|
| $V_{CC}$              | Supply Voltage                           | -0.5V to +7.0V           |
| $I_{IK}$              | DC Input Diode Current, $V_I = -0.5V$    | -20mA                    |
| $V_I$                 | DC Input Voltage                         | -0.5V to 7V              |
| $I_{OK}$              | DC Output Diode Current<br>$V_O = -0.5V$ | -20mA                    |
|                       | $V_O = V_{CC} + 0.5V$                    | +20mA                    |
| $V_O$                 | DC Output Voltage                        | -0.5V to $V_{CC} + 0.5V$ |
| $I_O$                 | DC Output Source or Sink Current         | $\pm 25mA$               |
| $I_{CC}$ or $I_{GND}$ | DC $V_{CC}$ or Ground Current            | $\pm 50mA$               |
| $T_{STG}$             | Storage Temperature                      | -65°C to +150°C          |
| P                     | Power Dissipation                        | 180mW                    |

## Recommended Operating Conditions<sup>(1)</sup>

The Recommended Operating Conditions table defines the conditions for actual device operation. Recommended operating conditions are specified to ensure optimal performance to the datasheet specifications. Fairchild does not recommend exceeding them or designing to absolute maximum ratings.

| Symbol                | Parameter                | Rating           |
|-----------------------|--------------------------|------------------|
| $V_{CC}$              | Supply Voltage           | 2.0V to 3.6V     |
| $V_I$                 | Input Voltage            | 0V to 5.5V       |
| $V_O$                 | Output Voltage           | 0V to $V_{CC}$   |
| $T_A$                 | Operating Temperature    | -40°C to +85°C   |
| $\Delta t / \Delta V$ | Input Rise and Fall Time | 0ns/V to 100ns/V |

### Note:

- Unused inputs must be held HIGH or LOW. They may not float.

## DC Electrical Characteristics

| Symbol          | Parameter                 | V <sub>CC</sub> | Conditions  | T <sub>A</sub> = +25°C |      |      | T <sub>A</sub> = -40°C to +85°C |      | Units |
|-----------------|---------------------------|-----------------|---|------------------------|------|------|---------------------------------|------|-------|
|                 |                           |                 |   | Min.                   | Typ. | Max. | Min.                            | Max. |       |
| V <sub>IH</sub> | HIGH Level Input Voltage  | 2.0             |   | 1.5                    |      |      | 1.5                             |      | V     |
|                 |                           | 3.0             |   | 2.0                    |      |      | 2.0                             |      |       |
|                 |                           | 3.6             |   | 2.4                    |      |      | 2.4                             |      |       |
| V <sub>IL</sub> | LOW Level Input Voltage   | 2.0             |   |                        |      | 0.5  |                                 | 0.5  | V     |
|                 |                           | 3.0             |   |                        |      | 0.8  |                                 | 0.8  |       |
|                 |                           | 3.6             |   |                        |      | 0.8  |                                 | 0.8  |       |
| V <sub>OH</sub> | HIGH Level Output Voltage | 2.0             | V <sub>IN</sub> = V <sub>IL</sub> or V <sub>IH</sub> ,<br>I <sub>OH</sub> = -50μA | 1.9                    | 2.0  |      | 1.9                             |      | V     |
|                 |                           | 3.0             | V <sub>IN</sub> = V <sub>IL</sub> or V <sub>IH</sub> ,<br>I <sub>OH</sub> = -50μA | 2.9                    | 3.0  |      | 2.9                             |      |       |
|                 |                           |                 | V <sub>IN</sub> = V <sub>IL</sub> or V <sub>IH</sub> ,<br>I <sub>OH</sub> = -4mA  | 2.58                   |      |      | 2.48                            |      |       |
| V <sub>OL</sub> | LOW Level Output Voltage  | 2.0             | V <sub>IN</sub> = V <sub>IL</sub> or V <sub>IH</sub> ,<br>I <sub>OL</sub> = 50μA  |                        | 0.0  | 0.1  |                                 | 0.1  | V     |
|                 |                           | 3.0             | V <sub>IN</sub> = V <sub>IL</sub> or V <sub>IH</sub> ,<br>I <sub>OL</sub> = 50μA  |                        | 0.0  | 0.1  |                                 | 0.1  |       |
|                 |                           |                 | V <sub>IN</sub> = V <sub>IL</sub> or V <sub>IH</sub> ,<br>I <sub>OL</sub> = 4mA   |                        |      | 0.36 |                                 | 0.44 |       |
| I <sub>IN</sub> | Input Leakage Current     | 3.6             | V <sub>IN</sub> = 5.5V or GND   |                        |      | ±0.1 |                                 | ±1.0 | μA    |
| I <sub>CC</sub> | Quiescent Supply Current  | 3.6             | V <sub>IN</sub> = V <sub>CC</sub> or GND  |                        |      | 2.0  |                                 | 20.0 | μA    |

Noise Characteristics<sup>(2)</sup>

| Symbol           | Parameter                                    | V <sub>CC</sub> (V) | C <sub>L</sub> (pF) | T <sub>A</sub> = 25°C |       | Units |
|------------------|--|---------------------|---------------------|-----------------------|-------|-------|
|                  |  |                     |                     | Typ.                  | Limit |       |
| V <sub>OLP</sub> | Quiet Output Maximum Dynamic V <sub>OL</sub> | 3.3                 | 50                  | 0.3                   | 0.5   | V     |
| V <sub>OLV</sub> | Quiet Output Minimum Dynamic V <sub>OL</sub> | 3.3                 | 50                  | -0.3                  | -0.5  | V     |
| V <sub>IHD</sub> | Minimum HIGH Level Dynamic Input Voltage     | 3.3                 | 50                  |                       | 2.0   | V     |
| V <sub>ILD</sub> | Maximum LOW Level Dynamic Input Voltage      | 3.3                 | 50                  |                       | 0.8   | V     |

## Note:

2. Input  $t_r = t_f = 3\text{ns}$

## AC Electrical Characteristics

| Symbol                                | Parameter  | V <sub>CC</sub> (V) | C <sub>L</sub> (pF) | T <sub>A</sub> = +25°C |      |      | T <sub>A</sub> = -40°C to +85°C |      | Units |
|---------------------------------------|--|---------------------|---------------------|------------------------|------|------|---------------------------------|------|-------|
|                                       |  |                     |                     | Min.                   | Typ. | Max. | Min.                            | Max. |       |
| t <sub>PLH</sub> , t <sub>PHL</sub>   | Propagation Delay, CP <sub>n</sub> to Q <sub>n</sub> or $\bar{Q}_n$                  | 2.7                 | 15                  |                        | 7.3  | 15   | 1.0                             | 18.5 | ns    |
|                                       |  |                     | 50                  |                        | 9.8  | 18.5 | 1.0                             | 22   |       |
|                                       |  | 3.3 ± 0.3           | 15                  |                        | 5.7  | 9.7  | 1.0                             | 11.5 |       |
|                                       |  |                     | 50                  |                        | 8.2  | 13.2 | 1.0                             | 15   |       |
| t <sub>PLH</sub> , t <sub>PHL</sub>   | Propagation Delay, $\bar{C}_{Dn}$ to $\bar{S}_{Dn}$ to Q <sub>n</sub> or $\bar{Q}_n$ | 2.7                 | 15                  |                        | 8.4  | 15.6 | 1.0                             | 18.5 | ns    |
|                                       |  |                     | 50                  |                        | 10.9 | 19.1 | 1.0                             | 22   |       |
|                                       |  | 3.3 ± 0.3           | 15                  |                        | 6.6  | 10.1 | 1.0                             | 12   |       |
|                                       |  |                     | 50                  |                        | 9.1  | 13.6 | 1.0                             | 15.5 |       |
| t <sub>W</sub>                        | CP <sub>n</sub> or $\bar{C}_{Dn}$ or $\bar{S}_{Dn}$ Pulse Width                      | 2.7                 |                     | 8.5                    |      | 10   |                                 | ns   |       |
|                                       |  | 3.3 ± 0.3           |                     | 6                      |      | 7    |                                 |      |       |
| t <sub>S</sub>                        | Setup Time, D <sub>n</sub> to CP <sub>n</sub>  | 2.7                 |                     | 8.0                    |      | 9.5  |                                 | ns   |       |
|                                       |  | 3.3 ± 0.3           |                     | 5.5                    |      | 6.5  |                                 |      |       |
| t <sub>H</sub>                        | Hold Time, D <sub>n</sub> to CP <sub>n</sub>   | 2.7                 |                     | 0.5                    |      | 0.5  |                                 | ns   |       |
|                                       |  | 3.3 ± 0.3           |                     | 0.5                    |      | 0.5  |                                 |      |       |
| t <sub>REC</sub>                      | Recovery Time, $\bar{C}_{Pn}$ or $\bar{S}_{Dn}$ to CP <sub>n</sub>                   | 2.7                 |                     | 6.5                    |      | 7.5  |                                 | ns   |       |
|                                       |  | 3.3 ± 0.3           |                     | 5.0                    |      | 5.0  |                                 |      |       |
| f <sub>MAX</sub>                      | Maximum Clock Frequency  | 2.7                 | 15                  | 55                     | 135  | 50   |                                 | MHz  |       |
|                                       |  |                     | 50                  | 45                     | 60   | 40   |                                 |      |       |
|                                       |  | 3.3 ± 0.3           | 15                  | 95                     | 145  | 80   |                                 |      |       |
|                                       |  |                     | 50                  | 60                     | 85   | 50   |                                 |      |       |
| t <sub>OSLH</sub> , t <sub>OSHL</sub> | Output to Output Skew <sup>(3)</sup>   | 2.7                 | 50                  |                        |      | 1.5  | 1.5                             | ns   |       |
|                                       |  | 3.3                 |                     |                        |      | 1.5  | 1.5                             |      |       |

## Note:

3. Parameter guaranteed by design  $t_{OSLH} = |t_{PLHm} - t_{PLHn}|$ ,  $t_{OSHL} = |t_{PHLm} - t_{PHLn}|$

## Capacitance

| Symbol          | Parameter                                    | T <sub>A</sub> = +25°C |      |      | T <sub>A</sub> = -40°C to +85°C |      | Units |
|-----------------|--|------------------------|------|------|---------------------------------|------|-------|
|                 |  | Min.                   | Typ. | Max. | Min.                            | Max. |       |
| C <sub>IN</sub> | Input Capacitance                            |                        | 4    | 10   |                                 | 10   | pF    |
| C <sub>PD</sub> | Power Dissipation Capacitance <sup>(4)</sup> |                        | 25   |      |                                 |      | pF    |

## Note:

4. C<sub>PD</sub> is defined as the value of the internal equivalent capacitance which is calculated from the operating current consumption without load.

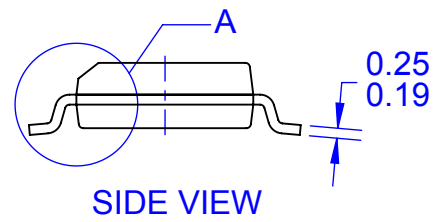
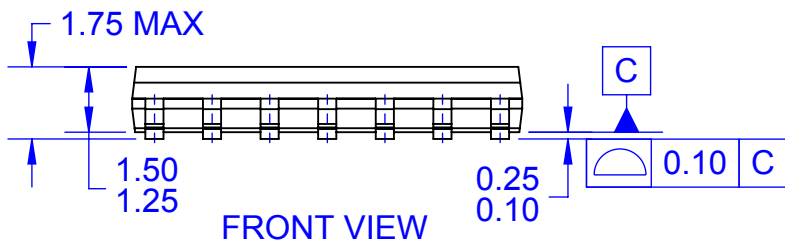
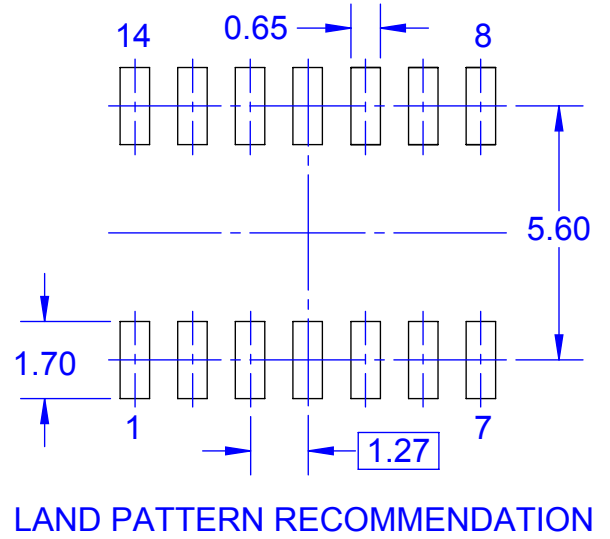
Average operating current can be obtained by the equation:  $I_{CC(opr.)} = \frac{C_{PD} \times V_{CC} \times f_{IN} \times I_{CC}}{2 \text{ (per F/F)}}$



**NOTES:**

- A. CONFORMS TO JEDEC REGISTRATION MO-153, VARIATION AB, REF NOTE 6
- B. DIMENSIONS ARE IN MILLIMETERS.
- C. DIMENSIONS ARE EXCLUSIVE OF BURRS, MOLD FLASH, AND TIE BAR EXTRUSIONS
- D. DIMENSIONING AND TOLERANCES PER ANSI Y14.5M, 2009.
- E. LANDPATTERN STANDARD: SOP65P640X110-14M.
- F. DRAWING FILE NAME: MKT-MTC14rev7.





NOTES:

- A. CONFORMS TO JEDEC MS-012, VARIATION AB, ISSUE C
- B. ALL DIMENSIONS ARE IN MILLIMETERS
- C. DIMENSIONS DO NOT INCLUDE MOLD FLASH OR BURRS
- D. LAND PATTERN STANDARD: SOIC127P600X145-14M
- E. CONFORMS TO ASME Y14.5M, 2009
- D. DRAWING FILENAME: MKT-M14Arev14





ON Semiconductor and  are trademarks of Semiconductor Components Industries, LLC dba ON Semiconductor or its subsidiaries in the United States and/or other countries. ON Semiconductor owns the rights to a number of patents, trademarks, copyrights, trade secrets, and other intellectual property. A listing of ON Semiconductor's product/patent coverage may be accessed at [www.onsemi.com/site/pdf/Patent-Marking.pdf](http://www.onsemi.com/site/pdf/Patent-Marking.pdf). ON Semiconductor reserves the right to make changes without further notice to any products herein. ON Semiconductor makes no warranty, representation or guarantee regarding the suitability of its products for any particular purpose, nor does ON Semiconductor assume any liability arising out of the application or use of any product or circuit, and specifically disclaims any and all liability, including without limitation special, consequential or incidental damages. Buyer is responsible for its products and applications using ON Semiconductor products, including compliance with all laws, regulations and safety requirements or standards, regardless of any support or applications information provided by ON Semiconductor. "Typical" parameters which may be provided in ON Semiconductor data sheets and/or specifications can and do vary in different applications and actual performance may vary over time. All operating parameters, including "Typicals" must be validated for each customer application by customer's technical experts. ON Semiconductor does not convey any license under its patent rights nor the rights of others. ON Semiconductor products are not designed, intended, or authorized for use as a critical component in life support systems or any FDA Class 3 medical devices or medical devices with a same or similar classification in a foreign jurisdiction or any devices intended for implantation in the human body. Should Buyer purchase or use ON Semiconductor products for any such unintended or unauthorized application, Buyer shall indemnify and hold ON Semiconductor and its officers, employees, subsidiaries, affiliates, and distributors harmless against all claims, costs, damages, and expenses, and reasonable attorney fees arising out of, directly or indirectly, any claim of personal injury or death associated with such unintended or unauthorized use, even if such claim alleges that ON Semiconductor was negligent regarding the design or manufacture of the part. ON Semiconductor is an Equal Opportunity/Affirmative Action Employer. This literature is subject to all applicable copyright laws and is not for resale in any manner.

## PUBLICATION ORDERING INFORMATION

### LITERATURE FULFILLMENT:

Literature Distribution Center for ON Semiconductor  
19521 E. 32nd Pkwy, Aurora, Colorado 80011 USA  
**Phone:** 303-675-2175 or 800-344-3860 Toll Free USA/Canada  
**Fax:** 303-675-2176 or 800-344-3867 Toll Free USA/Canada  
**Email:** [orderlit@onsemi.com](mailto:orderlit@onsemi.com)

**N. American Technical Support:** 800-282-9855 Toll Free  
USA/Canada  
**Europe, Middle East and Africa Technical Support:**  
Phone: 421 33 790 2910  
**Japan Customer Focus Center**  
Phone: 81-3-5817-1050

**ON Semiconductor Website:** [www.onsemi.com](http://www.onsemi.com)  
**Order Literature:** <http://www.onsemi.com/orderlit>  
For additional information, please contact your local  
Sales Representative