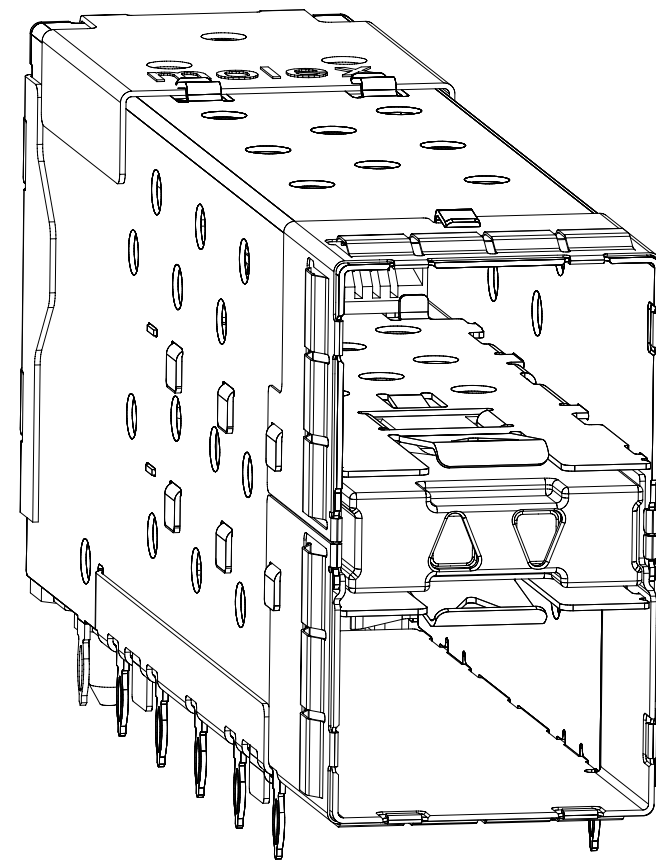
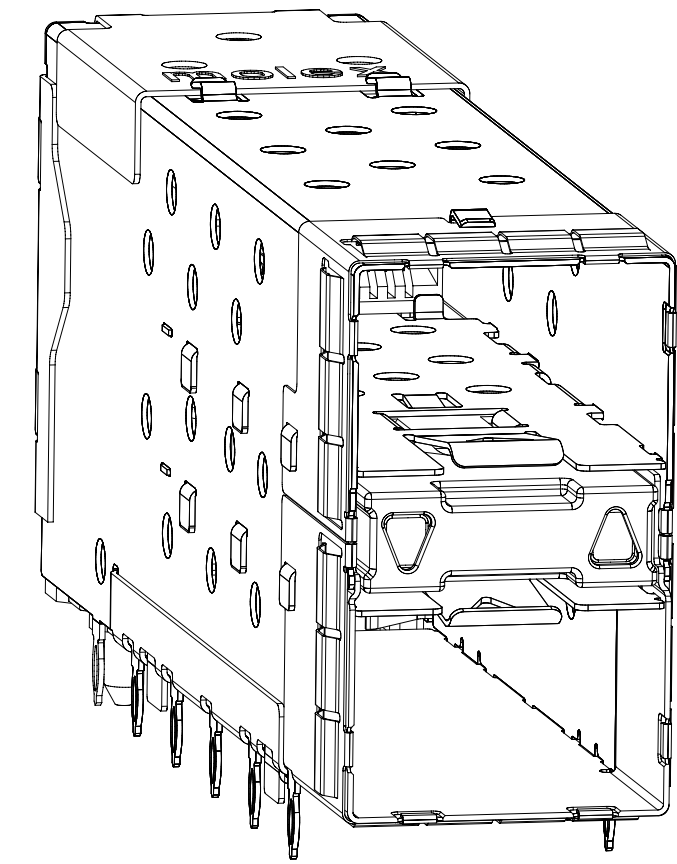


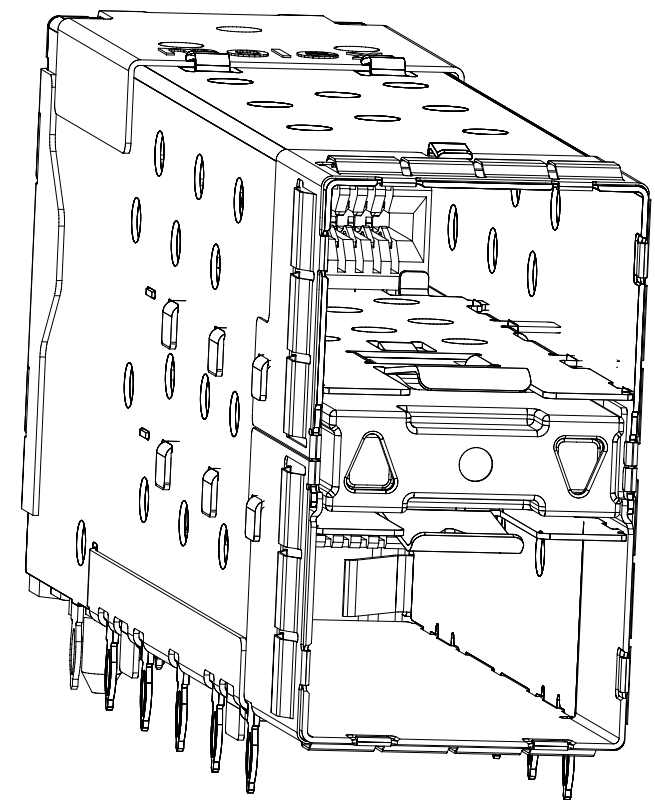
760440001 AND 760445001  
WITH INNER AND OUTER LIGHTPIPES



760440002 AND 760445002  
WITH INNER LIGHTPIPES

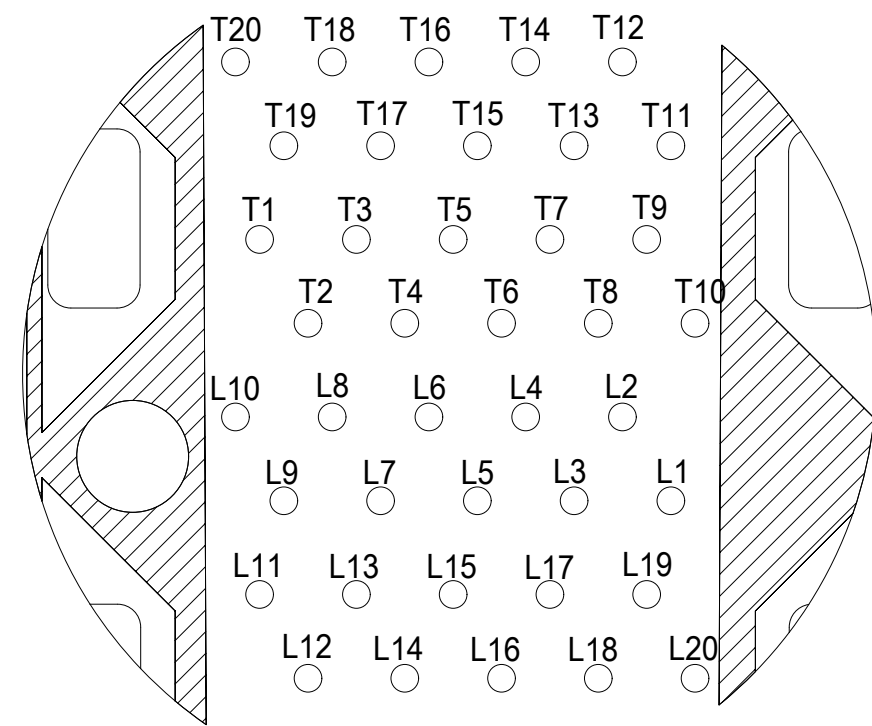


760440003 AND 760445003  
WITH OUTER LIGHTPIPES

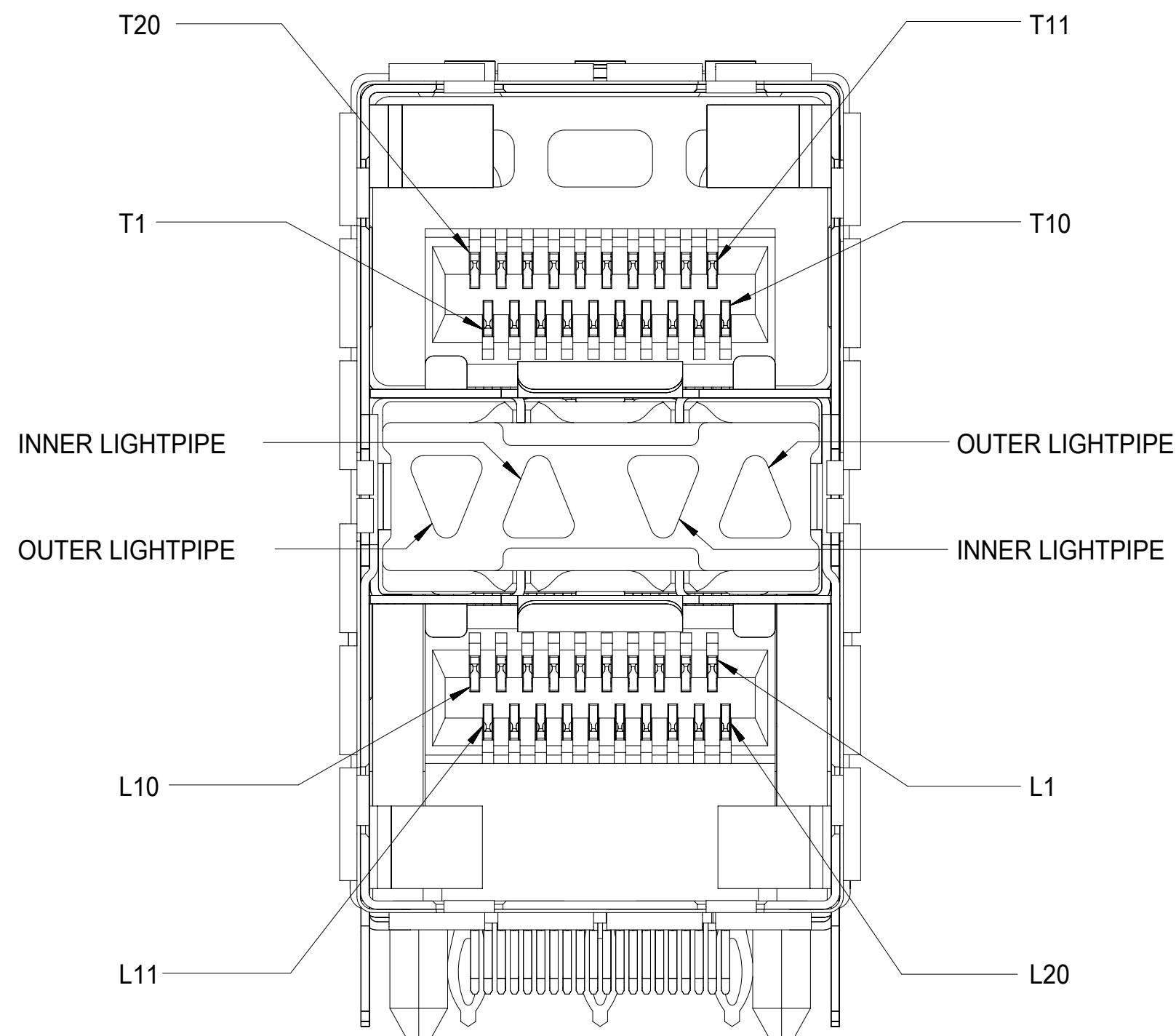


760445004  
WITH OUTER LIGHTPIPES

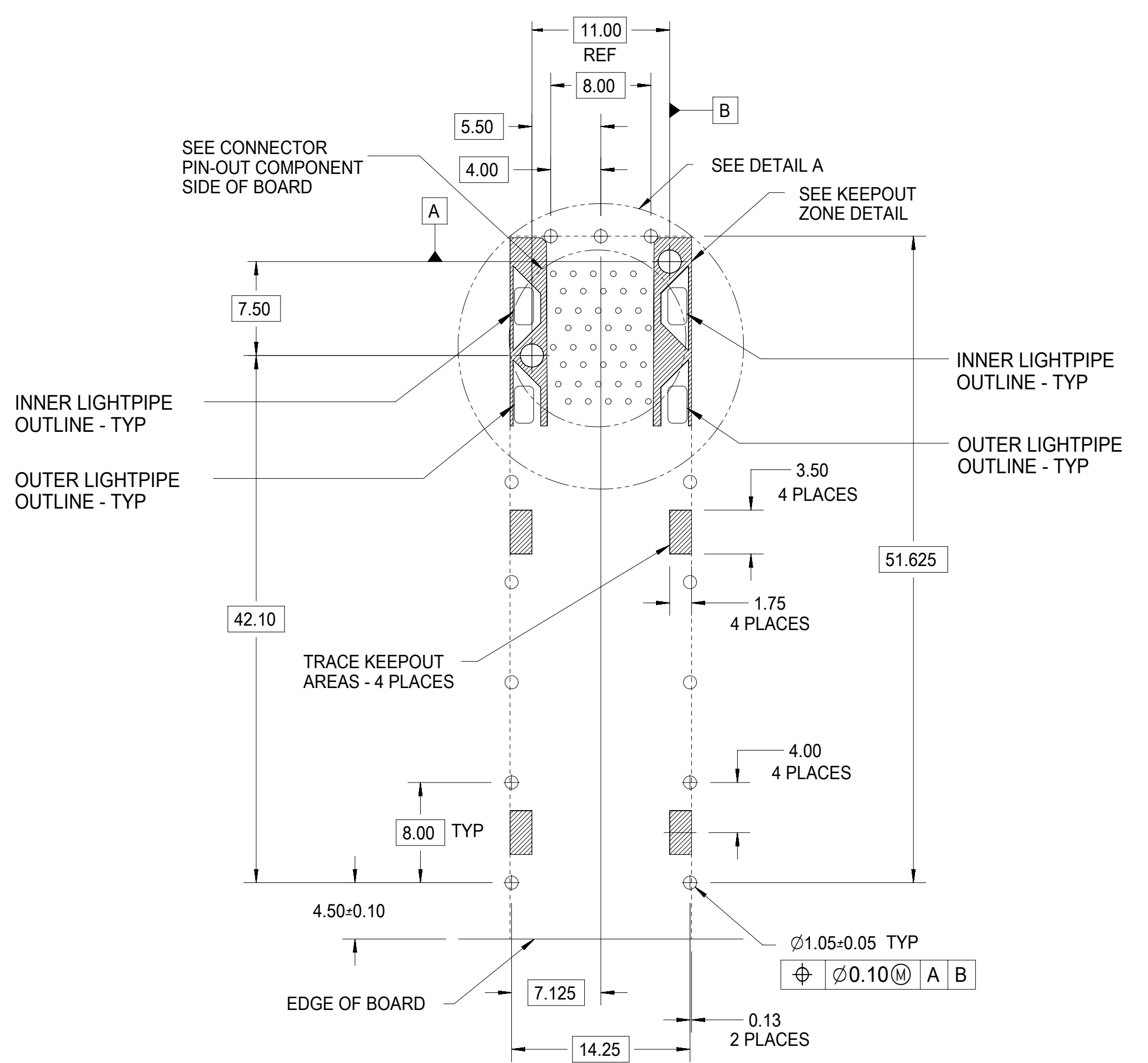
QUALITY SYMBOLS		THIS DRAWING CONTAINS INFORMATION THAT IS PROPRIETARY TO MOLEX ELECTRONIC TECHNOLOGIES, LLC AND SHOULD NOT BE USED WITHOUT WRITTEN PERMISSION											
▽ = 0	▽ = 0	SEE REVISION TABLE EC NO: 168528 DRWN: SVANG01 CHKD: MWOLFE REV / APPR: SMILLER	2017/11/21 2017/11/21 2017/11/22	GENERAL TOLERANCES (UNLESS SPECIFIED)		DIMENSION UNITS	SCALE	<b>molex</b> STACKED SFP+ 2X1 ASS'Y WITH METAL EMI GASKET AND LIGHTPIPES					
▽ = 0	▽ = 0			ANGULAR TOL ± 5.0 °		mm	1:1						
▽ = 0	▽ = 0			4 PLACES ±	DRWN BY	DATE	SVANG01 2015/06/11		PRODUCT CUSTOMER DRAWING				
▼ = 0	▽ = 0			3 PLACES ±	CHKD BY	DATE	BBARKER 2015/06/17						
▽ = 0	▽ = 0			2 PLACES ± 0.13	APPR BY	DATE	SMILLER 2015/06/30		SERIES	MATERIAL NUMBER	CUSTOMER		
☒ = 0	■ = 0			1 PLACE ± 0.25	DRAWING SIZE		THIRD ANGLE PROJECTION	76044		GENERAL MARKET			
▽ = 0	▽ = 0	0 PLACES ±	DRAFT WHERE APPLICABLE MUST REMAIN WITHIN DIMENSIONS		C	DOCUMENT NUMBER		PSD	DOC PART	SHEET NUMBER			
		J				SD-76044-001		001	2 OF 6				



CONNECTOR PIN-OUT  
COMPONENT SIDE OF BOARD  
SCALE 10:1

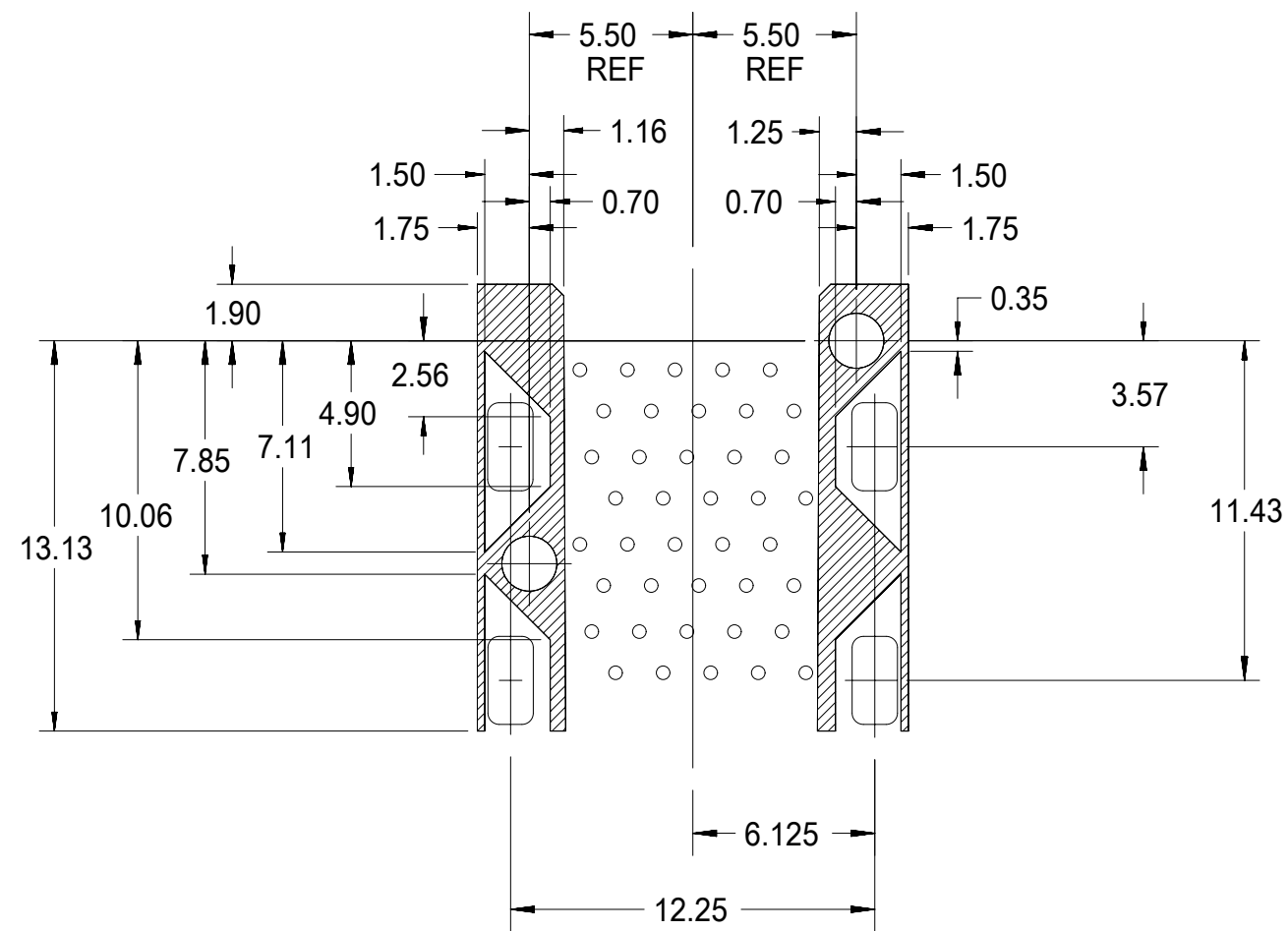


DETAIL 1  
SCALE 6:1



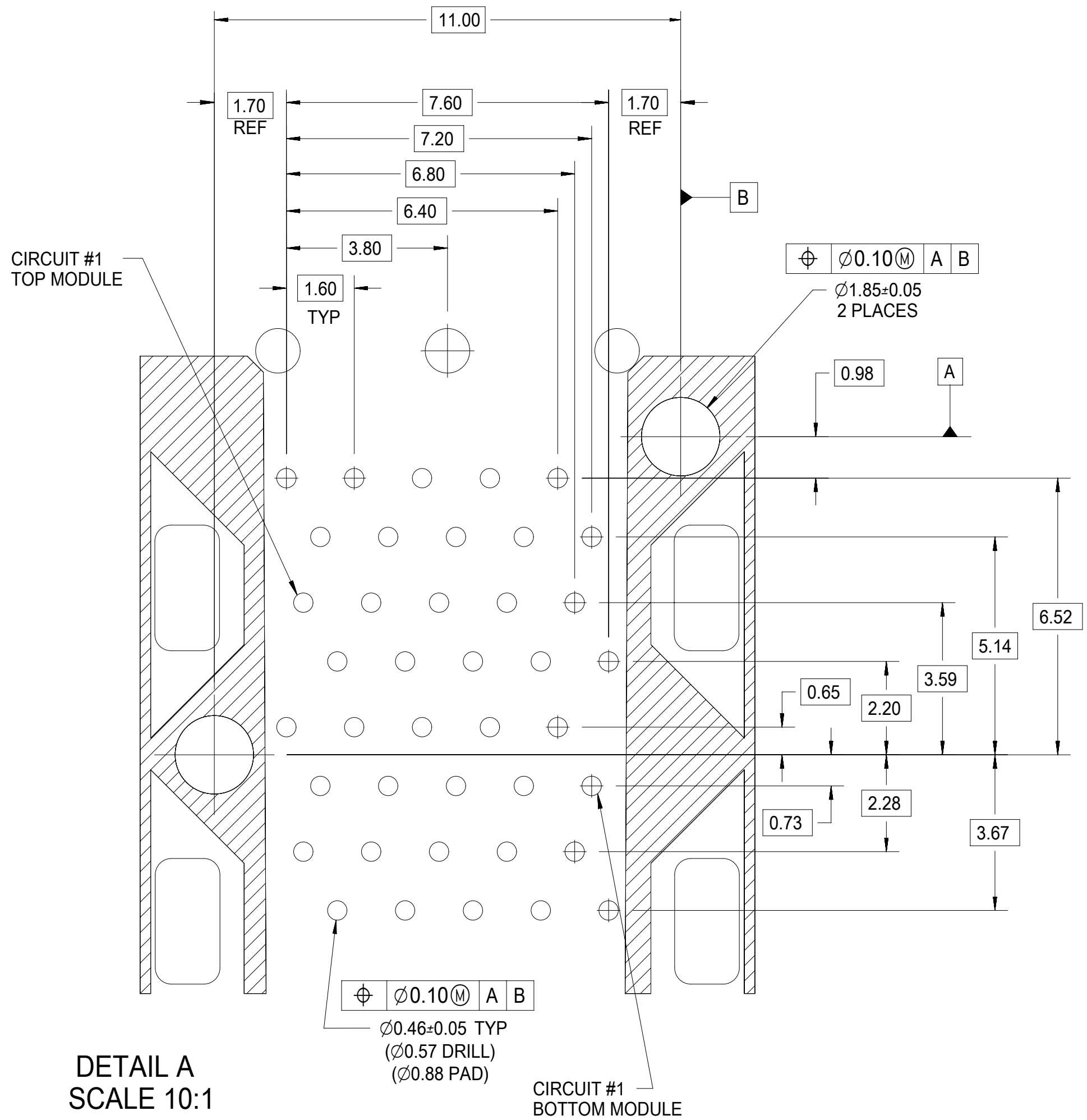
RECOMMENDED PCB LAYOUT - COMPONENT SIDE  
RECOMMENDED PCB THICKNESS - 2.36 MM (.093 INCH)  
THE ENTIRE AREA OF THE CONNECTOR FOOTPRINT  
TO BE CONSIDERED THE KEEP OUT AREA FOR COMPONENTS  
(OTHER THAN LIGHT PIPE LED'S).  
THIS AREA IS INDICATED BY THE DASHED LINE

QUALITY SYMBOLS		THIS DRAWING CONTAINS INFORMATION THAT IS PROPRIETARY TO MOLEX ELECTRONIC TECHNOLOGIES, LLC AND SHOULD NOT BE USED WITHOUT WRITTEN PERMISSION		DIMENSION UNITS		SCALE			
▽ = 0	▽ = 0	GENERAL TOLERANCES (UNLESS SPECIFIED)		mm		1:1			
▽ = 0	▽ = 0	ANGULAR TOL ± 5.0 °		DRWN BY		DATE		STACKED SFP+ 2X1 ASS'Y WITH METAL EMI GASKET AND LIGHTPIPES	
▽ = 0	▽ = 0	4 PLACES ±		SVANG01		2015/06/11			
▽ = 0	▽ = 0	3 PLACES ±		CHKD BY		DATE		PRODUCT CUSTOMER DRAWING	
▽ = 0	▽ = 0	2 PLACES ± 0.13		BBARKER		2015/06/17			
▽ = 0	▽ = 0	1 PLACE ± 0.25		APPR BY		DATE		SERIES MATERIAL NUMBER CUSTOMER 76044 GENERAL MARKET	
▽ = 0	▽ = 0	0 PLACES ±		SMILLER		2015/06/30			
□ = 0	■ = 0	DRAFT WHERE APPLICABLE MUST REMAIN WITHIN DIMENSIONS		DRAWING SIZE		THIRD ANGLE PROJECTION		DOCUMENT NUMBER DOC TYPE DOC PART SHEET NUMBER SD-76044-001 PSD 001 3 OF 6	
▽ = 0	▽ = 0	SEE REVISION TABLE		C					



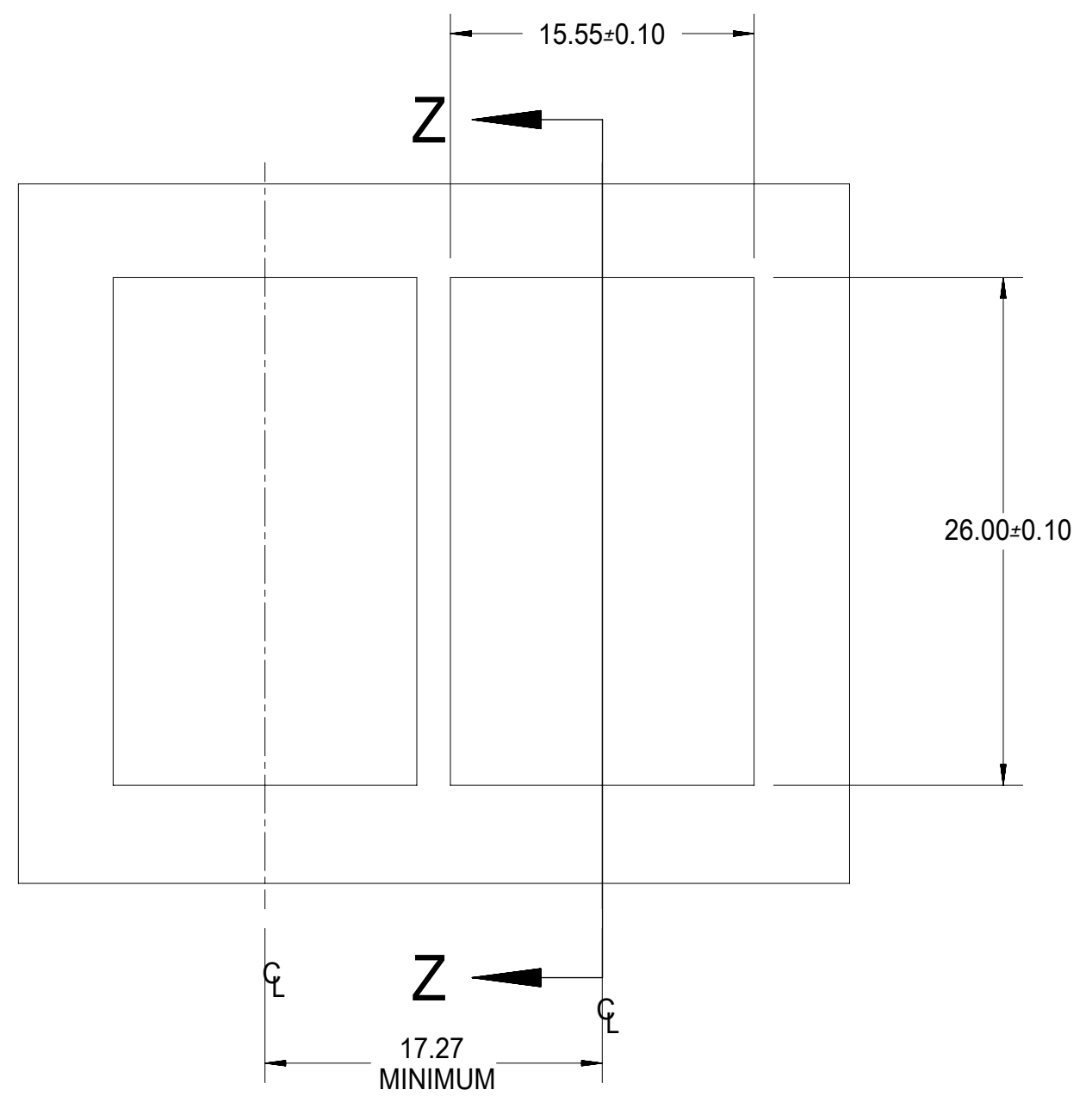
DETAIL - LIGHTPIPE AND OTHER ZONES  
SCALE 8:1

THE HATCHED AREA IN THIS VIEW INDICATES ZONES THAT ARE OCCUPIED BY THE PLASTIC HOUSING THAT SEATS AGAINST THE PCB AND BY THE VERTICAL METAL CAGE WALL THAT STOPS JUST SHORT OF THE PCB

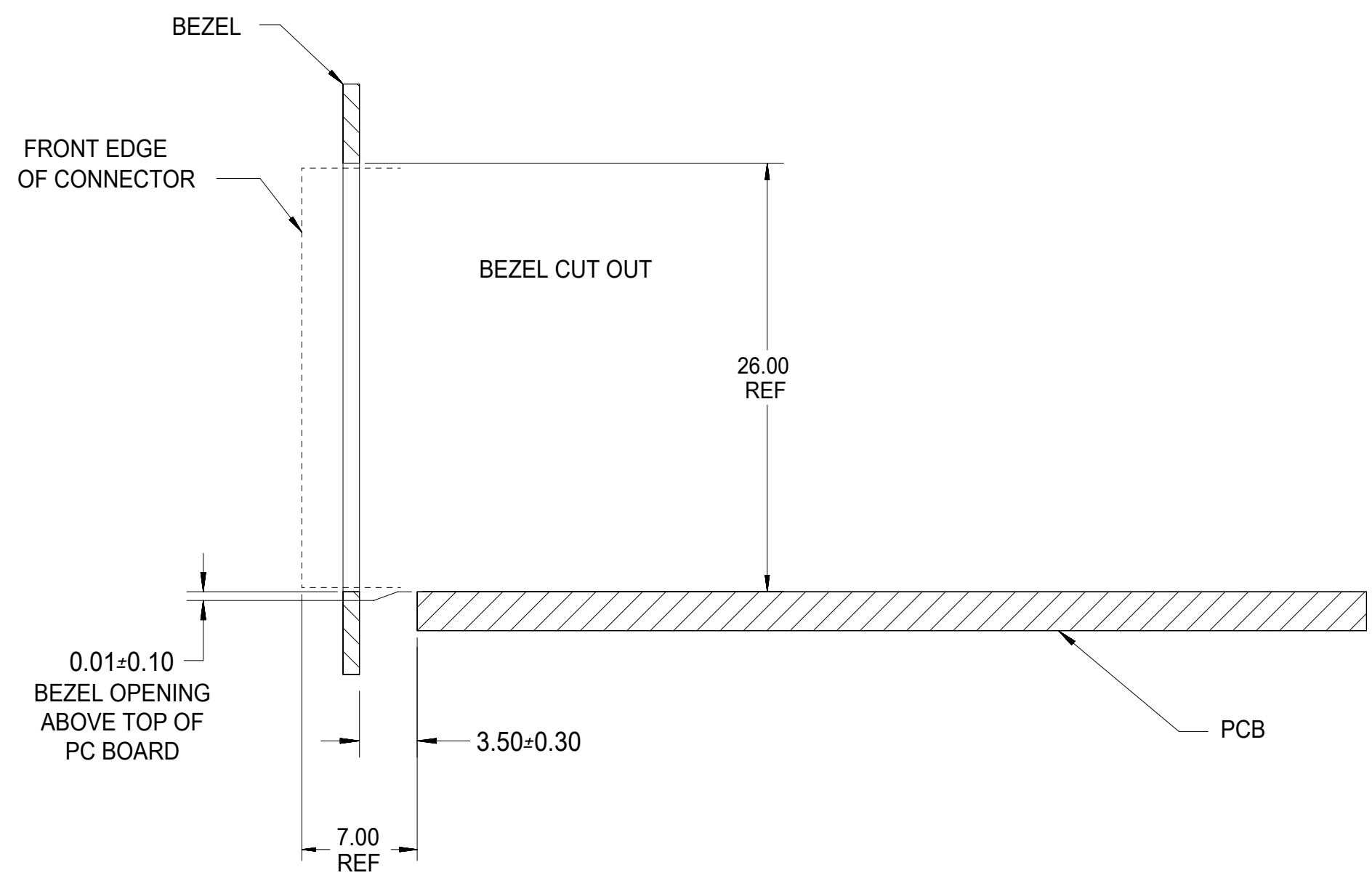


DETAIL A  
SCALE 10:1

QUALITY SYMBOLS		THIS DRAWING CONTAINS INFORMATION THAT IS PROPRIETARY TO MOLEX ELECTRONIC TECHNOLOGIES, LLC AND SHOULD NOT BE USED WITHOUT WRITTEN PERMISSION									
	= 0	SEE REVISION TABLE EC NO: 168528 DRWN: SVANG01 CHKD: MWOLFE REV / APPR: SMILLER	GENERAL TOLERANCES (UNLESS SPECIFIED)		DIMENSION UNITS	SCALE					
	= 0		ANGULAR TOL $\pm 5.0^\circ$		mm	1:1					
	= 0		4 PLACES $\pm$	DRWN BY	DATE	SVANG01 2015/06/11					
	= 0		3 PLACES $\pm$	CHKD BY	DATE	BBARKER 2015/06/17					
	= 0		2 PLACES $\pm 0.13$	APPR BY	DATE	SMILLER 2015/06/30					
	= 0		1 PLACE $\pm 0.25$	DRAWING SIZE	THIRD ANGLE PROJECTION	C					
	= 0	0 PLACES $\pm$	DRAFT WHERE APPLICABLE MUST REMAIN WITHIN DIMENSIONS		76044		SERIES MATERIAL NUMBER CUSTOMER		76044 GENERAL MARKET		
	= 0				DOCUMENT NUMBER		DOC TYPE		SHEET NUMBER		
					SD-76044-001		PSD		001 4 OF 6		



BEZEL CUT-OUT CENTER SPACING DETAIL  
BEZEL THICKNESS 0.8-2.6



SECTION Z-Z

QUALITY SYMBOLS ▽ = 0 ▽ = 0 ▽ = 0 ▼ = 0 ▽ = 0 ⊠ = 0 ■ = 0 ▽ = 0	THIS DRAWING CONTAINS INFORMATION THAT IS PROPRIETARY TO MOLEX ELECTRONIC TECHNOLOGIES, LLC AND SHOULD NOT BE USED WITHOUT WRITTEN PERMISSION									
	SEE REVISION TABLE		GENERAL TOLERANCES (UNLESS SPECIFIED)		DIMENSION UNITS		SCALE			
	2017/11/21		ANGULAR TOL ± 5.0 °		mm		1:1			
	2017/11/21		4 PLACES ±		DRWN BY		DATE		STACKED SFP+ 2X1 ASS'Y WITH METAL EMI GASKET AND LIGHTPIPES	
	2017/11/22		3 PLACES ±		SVANG01		2015/06/11			
	2017/11/22		2 PLACES ± 0.13		CHK'D BY		DATE		PRODUCT CUSTOMER DRAWING	
	2017/11/22		1 PLACE ± 0.25		BBARKER		2015/06/17			
	2017/11/22		0 PLACES ±		APPR BY		DATE		SERIES MATERIAL NUMBER CUSTOMER 76044 GENERAL MARKET	
	2017/11/22		DRAFT WHERE APPLICABLE MUST REMAIN WITHIN DIMENSIONS		SMILLER		2015/06/30			
	EC NO: 168528		DRAWING SIZE		THIRD ANGLE PROJECTION		DOCUMENT NUMBER		DOC TYPE DOC PART SHEET NUMBER PSD 001 5 OF 6	
J		C				SD-76044-001				

REV	DATE	DESCRIPTION
G	11/21/2017	UPDATE VIEWS TO SHOW HOOKS AND POCKETS, CLARIFY NOTE 1, MASTERED TO NX AND RELEASE

H  
G  
F  
E  
D  
C  
B  
A

QUALITY SYMBOLS		THIS DRAWING CONTAINS INFORMATION THAT IS PROPRIETARY TO MOLEX ELECTRONIC TECHNOLOGIES, LLC AND SHOULD NOT BE USED WITHOUT WRITTEN PERMISSION									
	= 0	SEE REVISION TABLE EC NO: 168528 DRWN: SVANG01 CHKD: MWOLFE REV / APPR: SMILLER 2017/11/21 2017/11/21 2017/11/22	GENERAL TOLERANCES (UNLESS SPECIFIED)			DIMENSION UNITS	SCALE				
	= 0		ANGULAR TOL ± 5.0 °			mm	1:1				
	= 0		4 PLACES ±	DRWN BY		DATE		STACKED SFP+ 2X1 ASS'Y WITH METAL EMI GASKET AND LIGHTPIPES			
	= 0		3 PLACES ±	SVANG01		2015/06/11					
	= 0		2 PLACES ± 0.13	CHKD BY		DATE		PRODUCT CUSTOMER DRAWING			
	= 0		1 PLACE ± 0.25	BBARKER		2015/06/17					
	= 0		0 PLACES ±	APPR BY		DATE		SERIES MATERIAL NUMBER CUSTOMER 76044 GENERAL MARKET			
	= 0		DRAFT WHERE APPLICABLE MUST REMAIN WITHIN DIMENSIONS		SMILLER		2015/06/30				
	= 0		DRAFT WHERE APPLICABLE MUST REMAIN WITHIN DIMENSIONS		DRAWING SIZE	THIRD ANGLE PROJECTION		DOCUMENT NUMBER DOC TYPE DOC PART SHEET NUMBER SD-76044-001 PSD 001 6 OF 6			
	= 0		DRAFT WHERE APPLICABLE MUST REMAIN WITHIN DIMENSIONS		C						