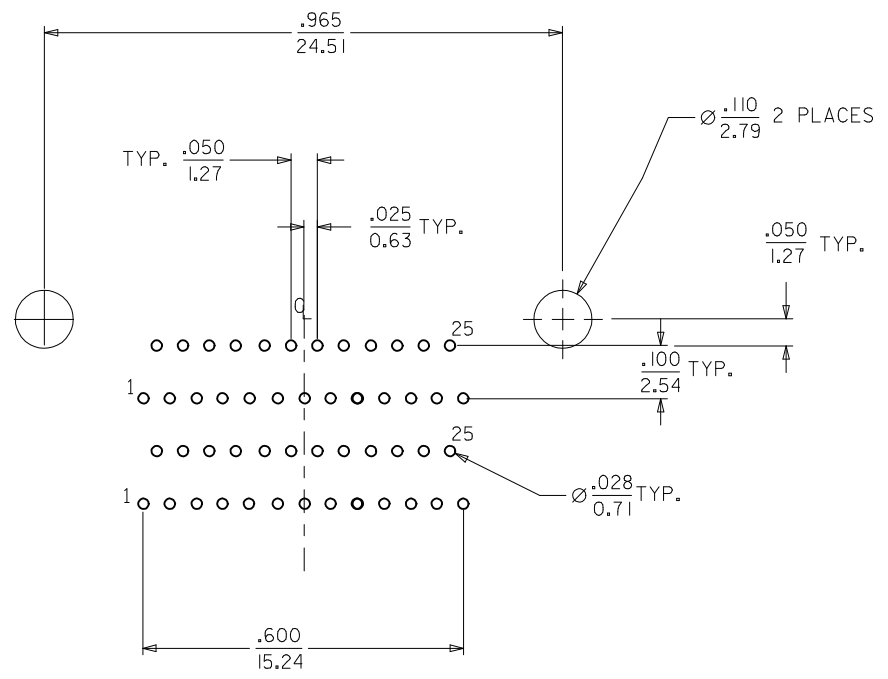


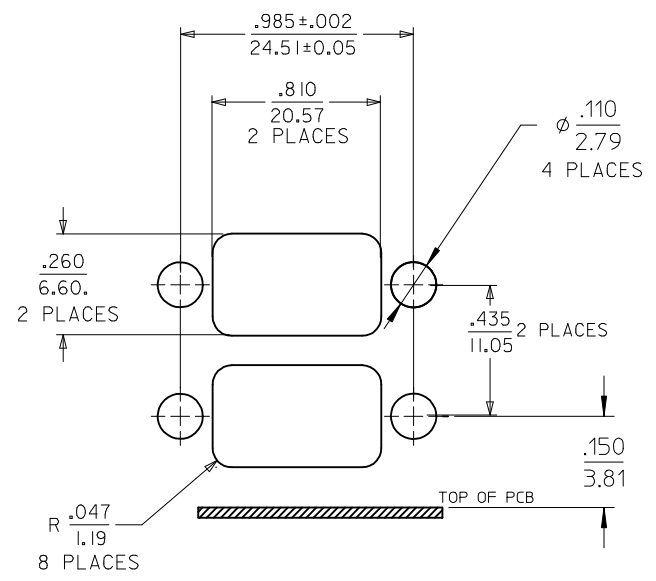
SALES DRAWING

1. MARKING: NONE.
 2. SEE SHEET 2 FOR PCB LAYOUT AND PANEL CUT-OUT DIMENSIONS.
 NOTES: UNLESS OTHERWISE SPECIFIED.

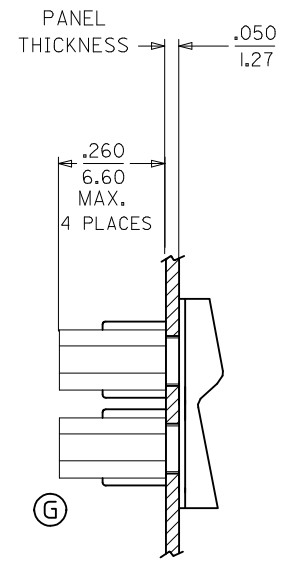
UPDATE DIM EC NO: WNAZ010-0136 DRW: DRUPERT 2009/08/26 CHK: DRUPERT 2009/08/26 APPR: JFMURPHY 2009/09/22	QUALITY SYMBOLS	GENERAL TOLERANCES (UNLESS SPECIFIED)	DIMENSION STYLE IN/MM	SCALE 2:1	DESIGN UNITS INCH	THIRD ANGLE PROJECTION	
	▽=0 ◻=0	4 PLACES ± --- ± --- 3 PLACES ± --- ± .005 2 PLACES ± 0.13 ± .01 1 PLACE ± 0.25 ± --- ANGULAR ± 1/2°	DRAWN BY: JLOMASTR CHECKED BY: RDEROSS APPROVED BY: JFMURPHY MATERIAL NO.: 836199011	DATE: 04/09/22 DATE: 04/09/28 DATE: 2009/08/26	TITLE: DUAL CONNECTOR PLUG COMM. MICRO D PLUG R/A SIZE 25 MOLEX INCORPORATED DOCUMENT NO.: SD-83619-007		
	DRAFT WHERE APPLICABLE MUST REMAIN WITHIN DIMENSIONS	SIZE A3	THIS DRAWING CONTAINS INFORMATION THAT IS PROPRIETARY TO MOLEX INCORPORATED AND SHOULD NOT BE USED WITHOUT WRITTEN PERMISSION				
	REV	DESCRIPTION	SHEET NO. 1 OF 2				



**RECOMMENDED
P.C.B. LAY-OUT
SOLDER SIDE (E)**



**RECOMMENDED
PANEL CUT-OUT**



REDRAWN EC NO: WNA2010-0136 DRW: BRUPERT 2009/08/26 CHK: BRUPERT 2009/08/26 APPR: JFMURPHY 2009/09/22	DESCRIPTION G	QUALITY SYMBOLS ▽=0 ◻=0	GENERAL TOLERANCES (UNLESS SPECIFIED) <table border="1"> <thead> <tr> <th></th> <th>mm</th> <th>INCH</th> </tr> </thead> <tbody> <tr> <td>4 PLACES</td> <td>± ---</td> <td>± ---</td> </tr> <tr> <td>3 PLACES</td> <td>± ---</td> <td>± .005</td> </tr> <tr> <td>2 PLACES</td> <td>± 0.13</td> <td>± .01</td> </tr> <tr> <td>1 PLACE</td> <td>± 0.25</td> <td>± ---</td> </tr> </tbody> </table> ANGULAR ± 1/2°		mm	INCH	4 PLACES	± ---	± ---	3 PLACES	± ---	± .005	2 PLACES	± 0.13	± .01	1 PLACE	± 0.25	± ---	DIMENSION STYLE IN/MM DRAWN BY: JLOMASTR DATE: 04/09/22 CHECKED BY: RDEROSS DATE: 04/09/28 APPROVED BY: JFMURPHY DATE: 2009/08/26	SCALE 2:1	DESIGN UNITS INCH	THIRD ANGLE PROJECTION
			mm	INCH																		
		4 PLACES	± ---	± ---																		
		3 PLACES	± ---	± .005																		
2 PLACES	± 0.13	± .01																				
1 PLACE	± 0.25	± ---																				
DRAFT WHERE APPLICABLE MUST REMAIN WITHIN DIMENSIONS			MATERIAL NO. 836199011	TITLE DUAL CONNECTOR PLUG COMM. MICRO D PLUG R/A SIZE 25	DOCUMENT NO. SD-83619-007	SHEET NO. 2 OF 2																
			SIZE A3	THIS DRAWING CONTAINS INFORMATION THAT IS PROPRIETARY TO MOLEX INCORPORATED AND SHOULD NOT BE USED WITHOUT WRITTEN PERMISSION																		
			MOLEX INCORPORATED																			