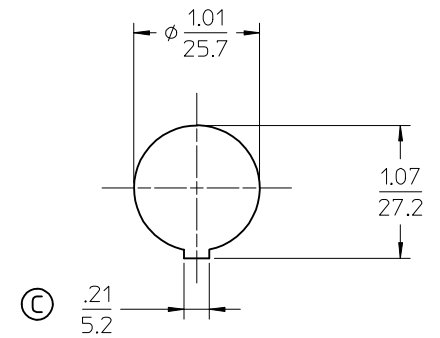
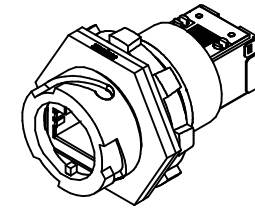
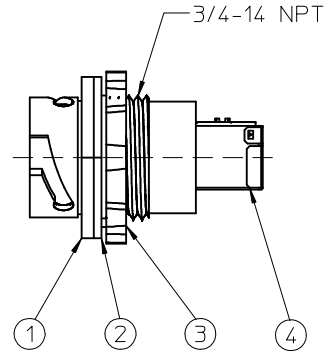
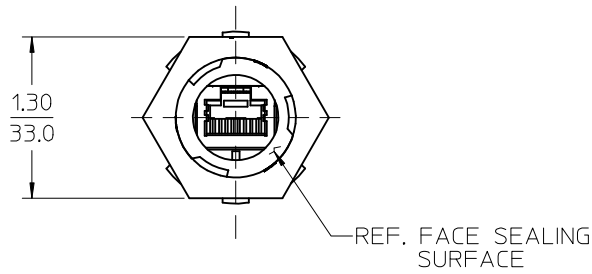
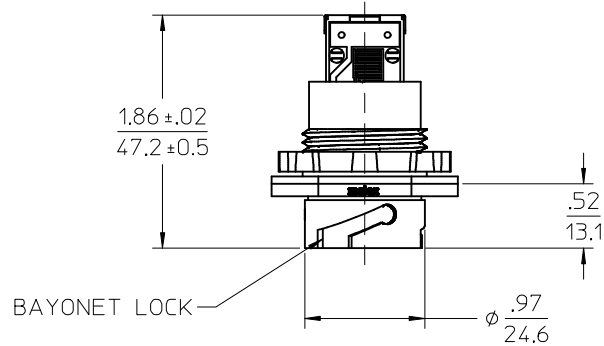


- Ⓒ NOTES:
 1. MATERIAL: SEE TABLE
 2. FINISHES: SEE TABLE
 3. PRODUCT SPECIFICATION: PPS.84.003
 4. PCB ASSEMBLY PUSHOUT : 20 LBS. MIN.
 5. COMPONENTS ARE RoHS COMPLIANT OR COMPLIANT BY EXCEPTION



REF. PANEL MOUNT THRU HOLE

4	1	PCB, RJ-45, DUAL RECEPTACLE	PCB,MOD,JACK	
3	1	LOCK-NUT	STEEL	ZINC PLATED
2	1	PANEL GASKET	NEOPRENE	BLACK
1	1	RECEPTACLE HOUSING	PBT	BLACK
ITEM	QTY.	DESCRIPTION	MATERIAL	FINISH

REV'D & REDRAWN
 EC NO: ETC2007-0100
 2006/10/02
 DR: W. STONE
 2006/10/02
 CHKD: J. MACNEIL
 2006/10/02
 APPR: J. MACNEIL
 2006/10/02

QUALITY SYMBOLS
 ▽=0
 ▽=0

GENERAL TOLERANCES (UNLESS SPECIFIED)

	mm	INCH
4 PLACES	± .005	± .0005
3 PLACES	± .005	± .0005
2 PLACES	± .005	± .0005
1 PLACE	± 0.25	± .010
ANGULAR ± 1/2°		

DRAFT WHERE APPLICABLE MUST REMAIN WITHIN DIMENSIONS

DIMENSION STYLE IN/MM

DRAWN BY	DATE
R. STONE	2002/05/14
CHECKED BY	DATE
S. GILBERT	2002/11/11
APPROVED BY	DATE
P. WALTZ	2002/11/12

MATERIAL NO. 847000001

SCALE 1:1 DESIGN UNITS INCH

THIRD ANGLE PROJECTION

RECEPTACLE, RJ-45
 PCB, PANEL MOUNT
 INDUSTRIAL ETHERNET

MOLEX INCORPORATED

DOCUMENT NO. SD-84700-007 SHEET NO. 1 OF 1

THIS DRAWING CONTAINS INFORMATION THAT IS PROPRIETARY TO MOLEX INCORPORATED AND SHOULD NOT BE USED WITHOUT WRITTEN PERMISSION